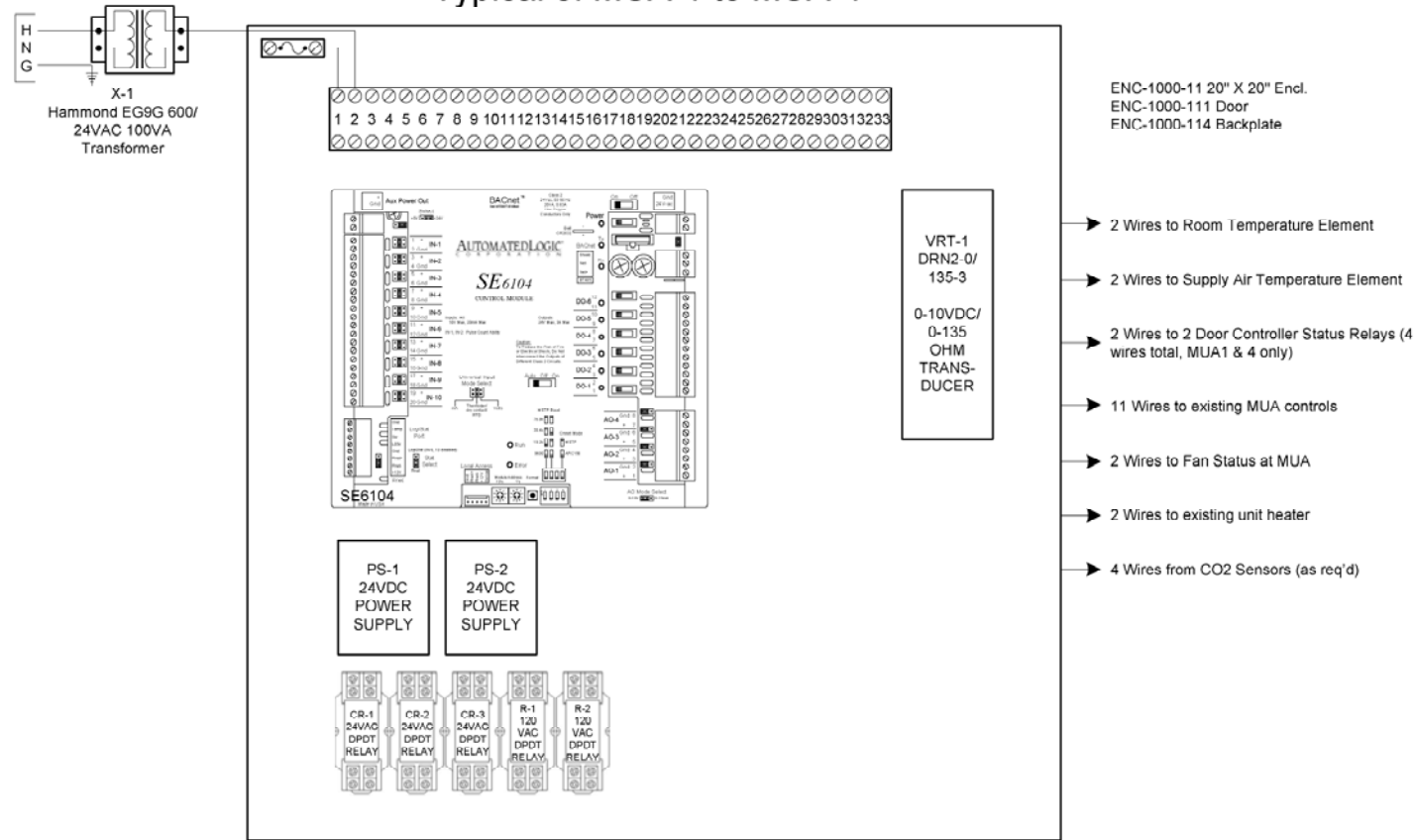
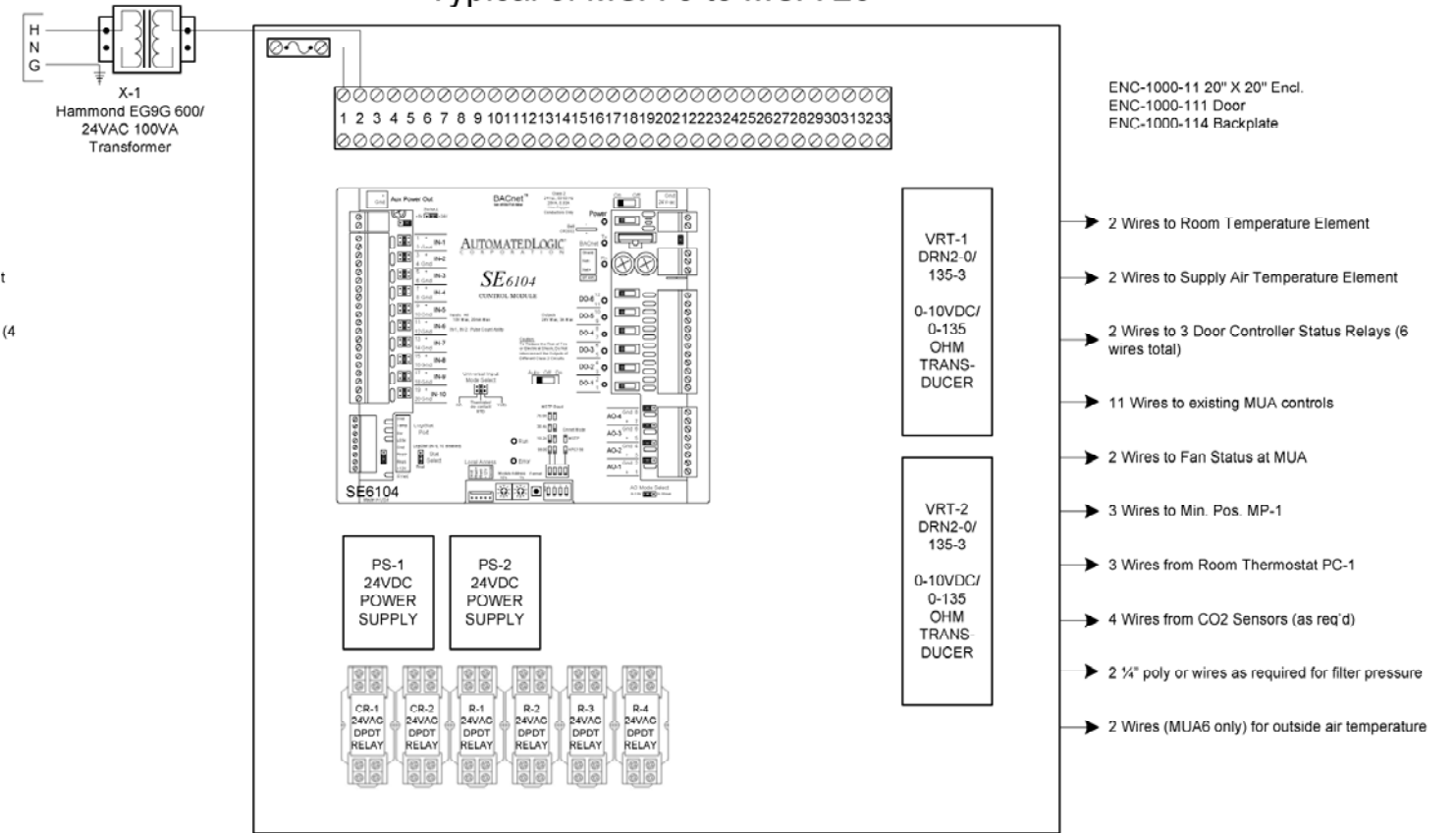


MUAs Control Panel Layouts

Control Panel Layout
Typical of MUA-1 to MUA-4



Control Panel Layout
Typical of MUA-5 to MUA-26



For Wiring details on MUA1 and MUA4 refer to page 22

For Wiring details on MUA2 and MUA3 refer to page 23

For Wiring details on MUA5 through MUA19 refer to page 24

For Wiring details on MUA20 through MUA26 refer to page 25

Winnipeg Transit Winnipeg, Manitoba			
Integrated Control Systems			
MUAs Control Panel Layouts			
REV: 1	As-Built	5/29/2008	JOB NO: ICS06-81
AUTOMATEDLOGIC® CORPORATION			CHECK BY: JJJ DSCODE:
27 of 27			