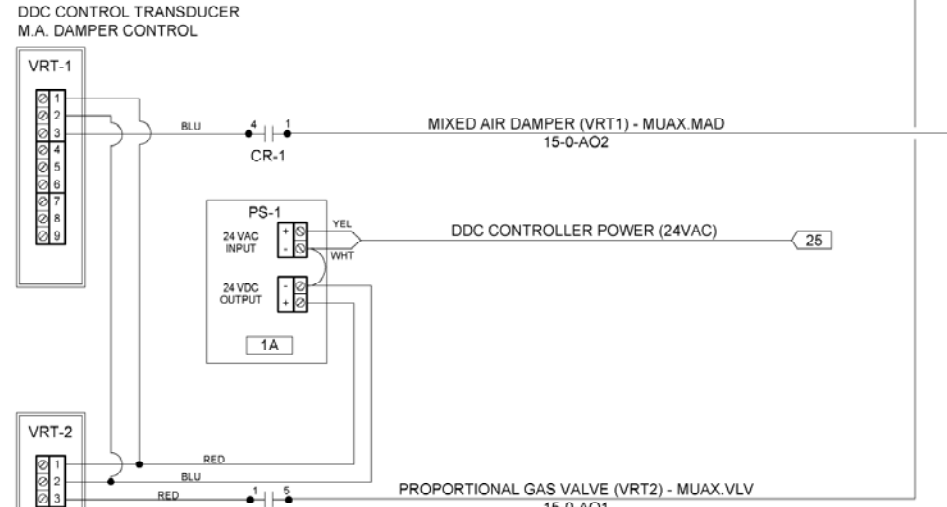
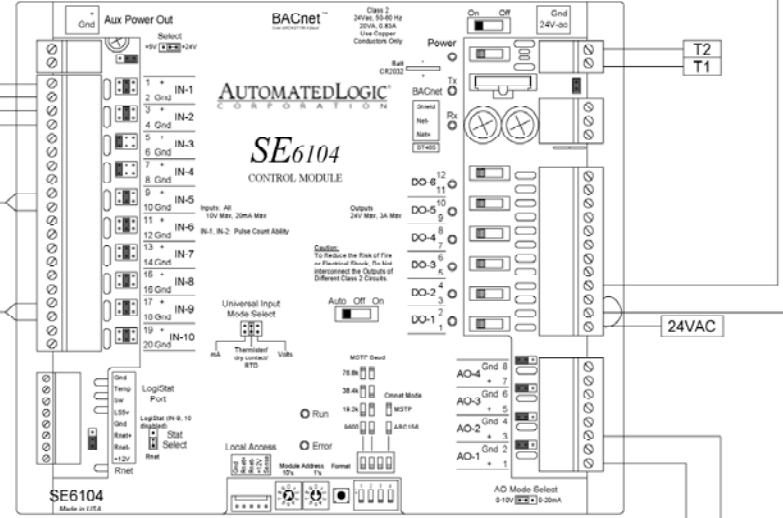
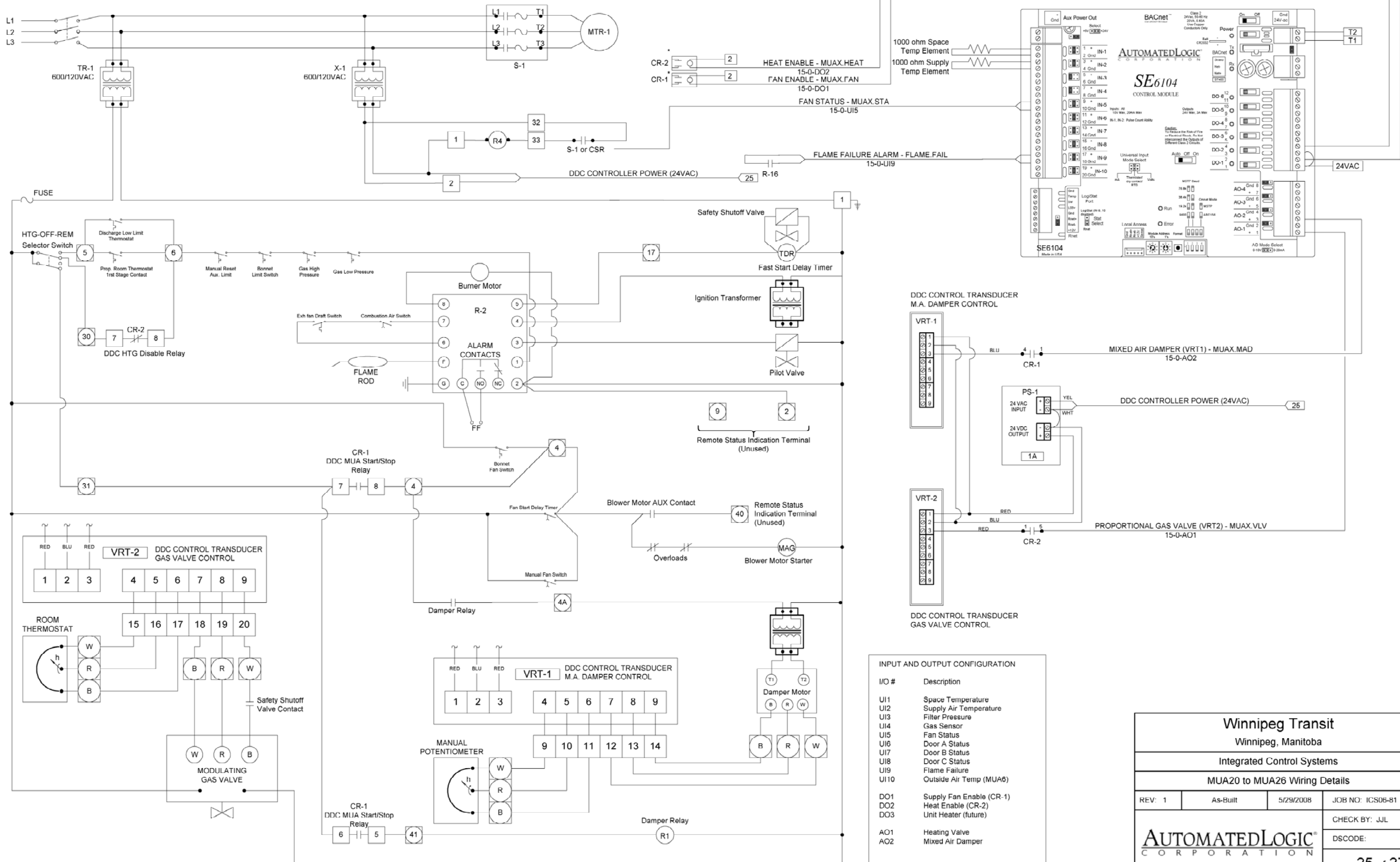


# MUA20 to MUA26 Wiring Details



**INPUT AND OUTPUT CONFIGURATION**

I/O #	Description
UI1	Space Temperature
UI2	Supply Air Temperature
UI3	Filter Pressure
UI4	Gas Sensor
UI5	Fan Status
UI6	Door A Status
UI7	Door B Status
UI8	Door C Status
UI9	Flame Failure
UI10	Outside Air Temp (MUA6)
DO1	Supply Fan Enable (CR-1)
DO2	Heat Enable (CR-2)
DO3	Unit Heater (future)
AO1	Heating Valve
AO2	Mixed Air Damper

<b>Winnipeg Transit</b>			
Winnipeg, Manitoba			
Integrated Control Systems			
MUA20 to MUA26 Wiring Details			
REV: 1	As-Built	5/29/2008	JOB NO: ICS06-81
			CHECK BY: JJJ
<b>AUTOMATEDLOGIC</b> CORPORATION			DSCODE:
25 of 27			