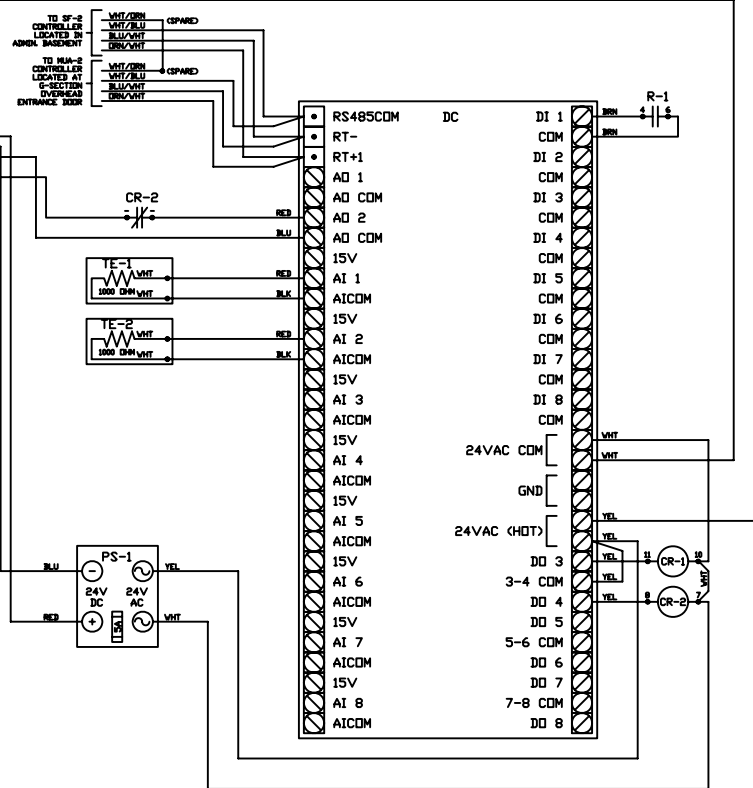


COMPONENT IDENTIFICATION

- CR-1 START/STOP & DAMPER RELAY
- CR-2 HEATING ENABLE/DISABLE RELAY
- VRT-1 DAMPER TRANSDUCER
- VRT-2 GAS VALVE TRANSDUCER
- F-2 DIGITAL CONTROLLER FUSE
- F-3 CONTROL FUSE
- F-4 INDUCED DRAFT FUSE
- MTR-1 MAIN SUPPLY FAN MOTOR
- MTR-2 INDUCED DRAFT FAN MOTOR
- MTR-4 MODUTROL MOTOR
- MTR-5 DAMPER MOTOR
- MTR-6 BURNER MOTOR
- S-1 MAIN FAN MOTOR STARTER
- S-2 ID FAN MOTOR STARTER
- R-1 FAN STATUS RELAY
- R-2 BURNER RELAY
- R-3 BURNER MOTOR STARTER & CLUTCH
- R-5 LOW FIRE RELAY
- R-6 LOW FIRE HOLD RELAY
- R-16 ALARM CIRCUIT RELAY
- FFA FLAME FAILURE ALARM RELAY
- PC-1 ROOM THERMOSTAT
- PC-6 DUCTSTAT
- TR-1 CONTROL TRANSFORMER
- TR-2 GAS IGNITION TRANSFORMER
- TR-4 MODUTROL MOTOR TRANSFORMER
- TR-5 DAMPER MOTOR TRANSFORMER
- SW-1 MAIN DISCONNECT SWITCH
- SW-3 HIGH LIMIT SWITCH
- SW-3A AUXILIARY HIGH LIMIT SWITCH
- SW-4 FAN SWITCH
- SW-4A AUXILIARY FAN SWITCH
- SW-5 DRAFT PROVING SWITCH
- SW-6 LO-GAS CUTOFF SWITCH
- SW-10 AUXILIARY END SWITCH ND.1
- SW-11 AUXILIARY END SWITCH ND.2
- SW-16 DIFFERENTIAL SWITCH
- SW-18 LOW FIRE TEST SWITCH
- VG-1 PILOT GAS VALVE
- VG-2 MAIN GAS VALVE
- MP-1 DAMPER MOTOR POTENTIOMETER
- DC DIGITAL CONTROLLER
- TE-1 SPACE TEMPERATURE ELEMENT
- TE-2 SUPPLY AIR TEMPERATURE ELEMENT
- DPT-1 DIFFERENTIAL PRESSURE XUDCER
- PS-1 POWER SUPPLY



FORT ROUGE GARAGE
G-SECTION: MACHINE SHOP
MUA-1
WIRING DETAILS

REVISSION
2
DRAWING NO.
1501-46D-MUA1