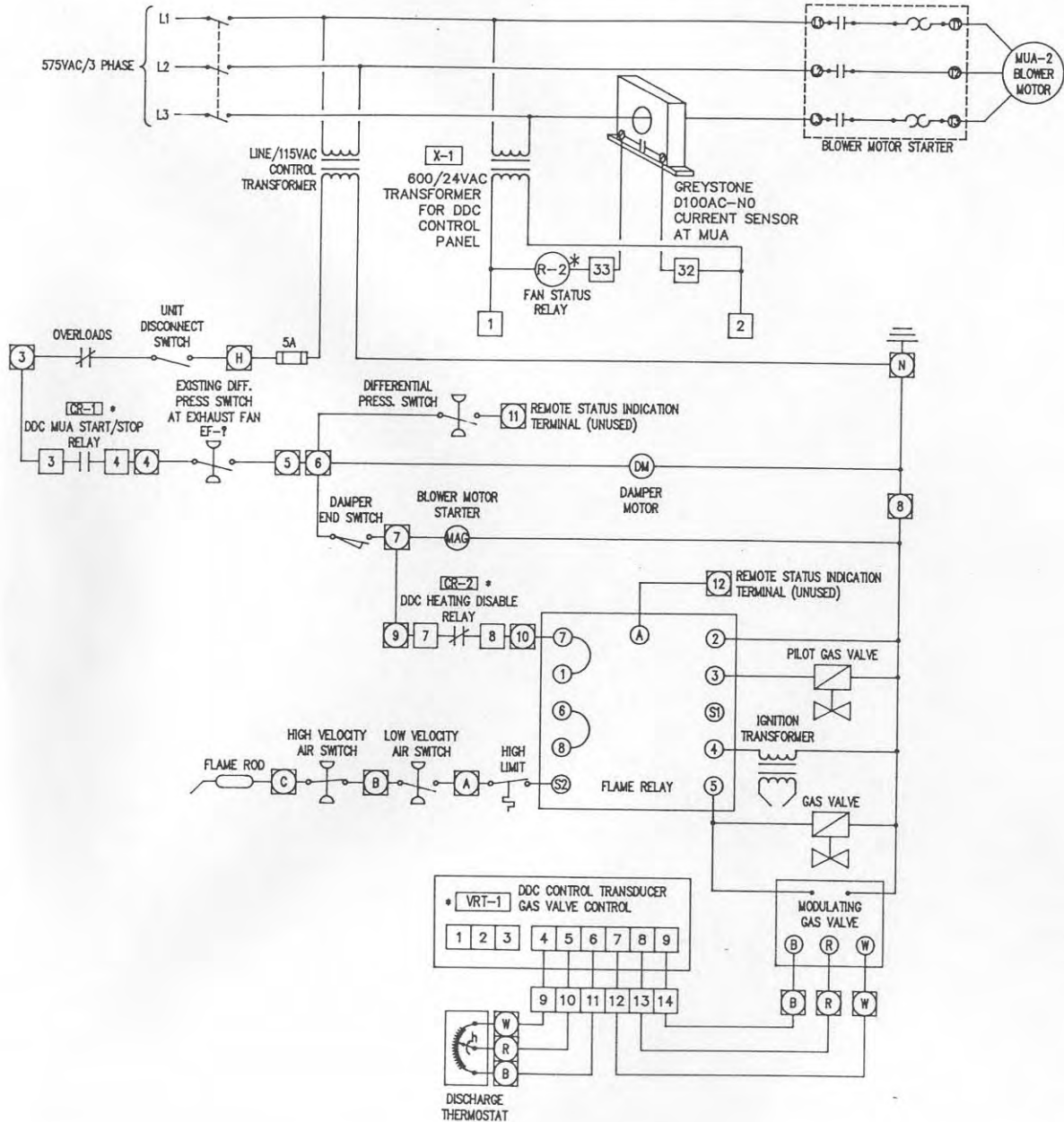


MUA-2 (TYPICAL FOR MUA-5)



LEGEND

- JCL DDC PANEL TERMINAL
- EXIST. REMOTE PANEL TERMINAL
- MUA TERMINAL
- \* MOUNTED IN 20" X 20" DDC CONTROL PANEL (REFER Dwg.1501-45B)

DRAWING TITLE  
 FT. ROUGE G SECTION  
 -NATIONAL CHAMP [aka TEMPRITE]  
 MAKE-UP AIR UNITS MUA-2 & 5  
 WIRING DETAIL

PROJECT  
 WINNEPEG TRANSIT  
 ADMINISTRATION AND G SECTION  
 METASYS FACILITY  
 MANAGEMENT SYSTEM

1 AS BUILT		04/15/02	CM
REFERENCE DRAWING NO.	REVISION-LOCATION	ECN	DATE BY
SALES ENGR PROJECT NO.	DATE	APPROVED	
BH	RC	RC	DATE
JOHNSON CONTROLS LTD 800 MORAY STREET WINNEPEG, MANITOBA R3J 3Y9		CONTRACT NUMBER 91098-5006	
Systems & Services Division		DRAWING NUMBER 1501-46B	

FILE: FTRGMUA2