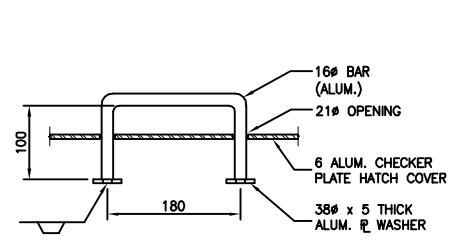
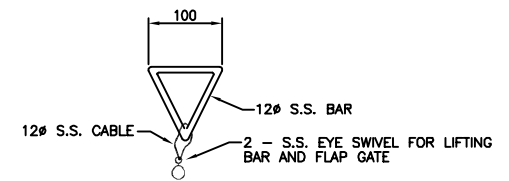


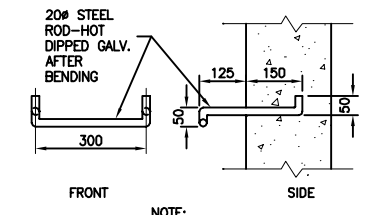
A HATCH COVER BOLT DOWN SECTION
1:5



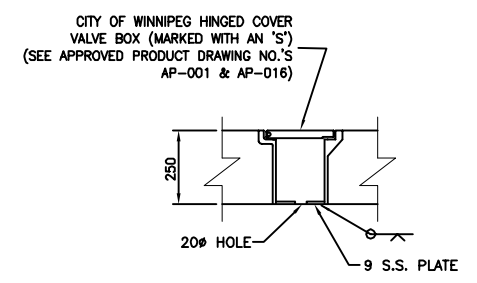
E SECTION
1:5



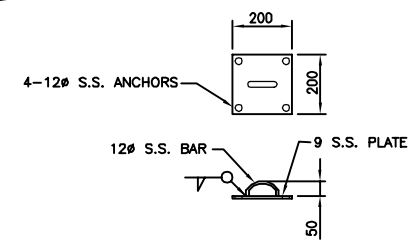
6 DETAIL
1:5



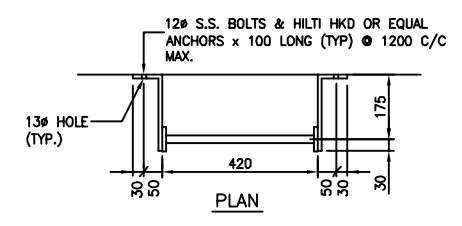
8 TYPICAL LADDER RUNG DETAIL
1:10



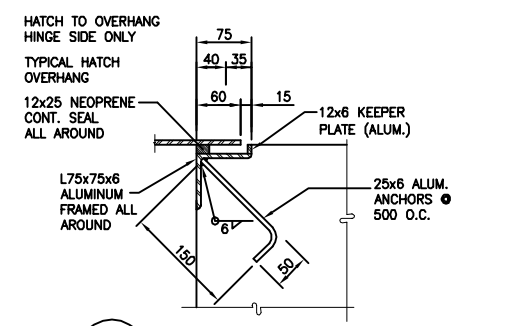
9 DETAIL
1:5



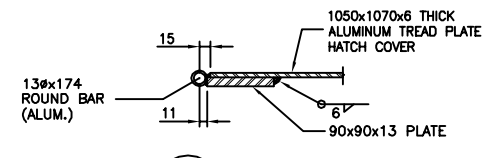
7 LIFTING CABLE GUIDE DETAIL
NTS



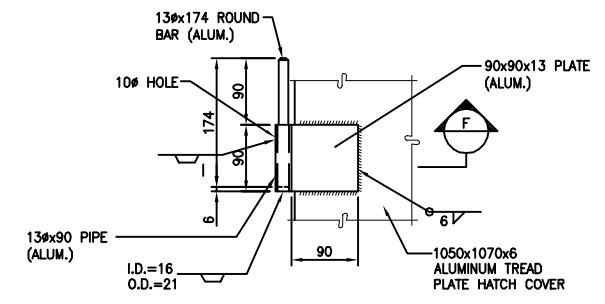
4 LADDER DETAIL
1:10



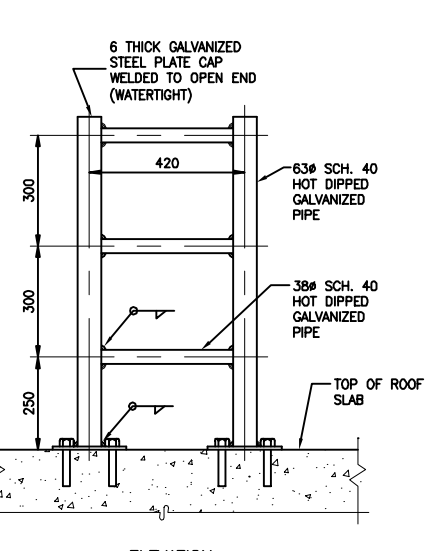
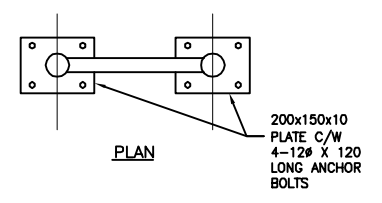
B HATCH SUPPORT SECTION
1:5



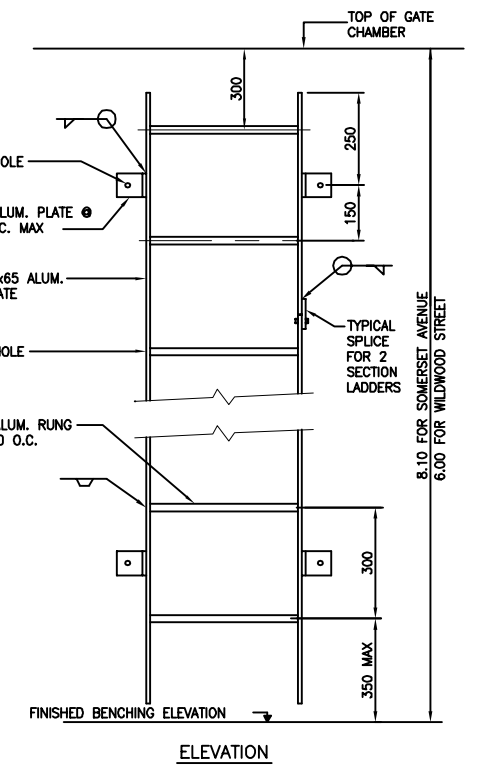
F SECTION
1:5



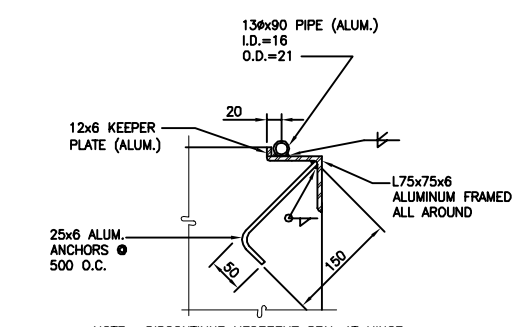
1 DETAIL
1:5



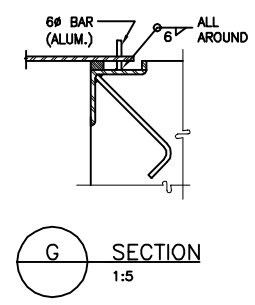
3 HAND HOLD DETAIL
1:10



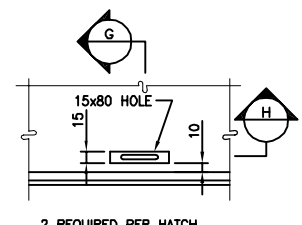
4 LADDER DETAIL
1:10



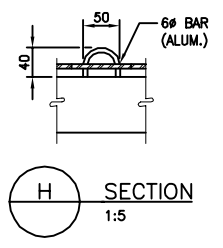
C SECTION
1:5



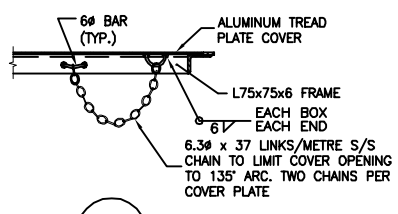
G SECTION
1:5



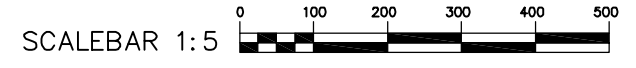
2 HATCH LOCK HASP PLAN
1:5



H SECTION
1:5



D SECTION
1:10



NOTE: ALL NUTS, BOLTS AND FASTENERS TO BE TYPE 316 STAINLESS STEEL.

METRIC
WHOLE NUMBERS INDICATE MILLIMETRES
DECIMALIZED NUMBERS INDICATE METRES

B.M. ELEV.	FIELD BOOK #:	CITY OF WINNIPEG WATER AND WASTE ENGINEERING DIVISION		ENGINEER'S SEAL	THE CITY OF WINNIPEG WATER AND WASTE DEPARTMENT	2009 SOMERSET AVENUE AND WILDWOOD STREET OUTFALL GATE CHAMBER CONSTRUCTION SOMERSET AND WILDWOOD GATE CHAMBERS MISCELLANEOUS DETAILS	SHEET 8 OF 8 CITY DRAWING NUMBER LD-5299
POSTED TO LBS		DESIGNED BY: DGS	CHECKED BY: DGS	ORIGINAL SIGNED BY: K.R. ZUREK 09/06/23			
		DRAWN BY: CJH	APPROVED BY: KZ	RELEASED FOR CONSTRUCTION	BID OPPORTUNITY: 468-2009 FILENAME: LD-5073.dwg PLOT DATE: 2009 06 23		
NO. REVISIONS	DATE	BY	DATE	2009 06 23			