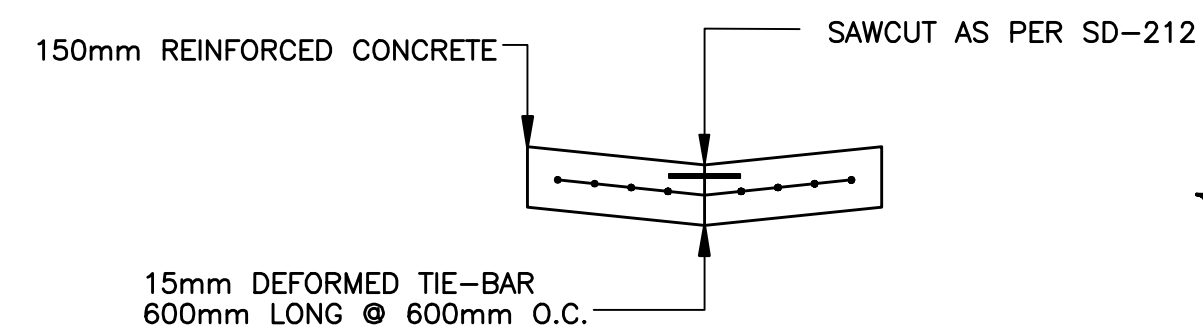


NOTES:

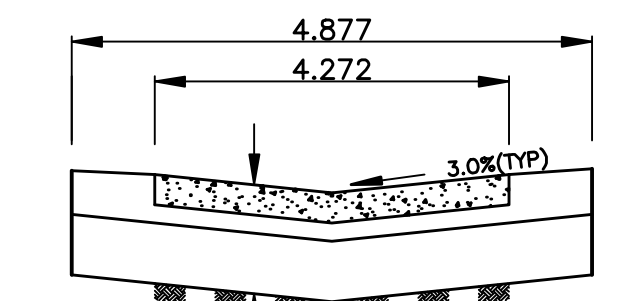
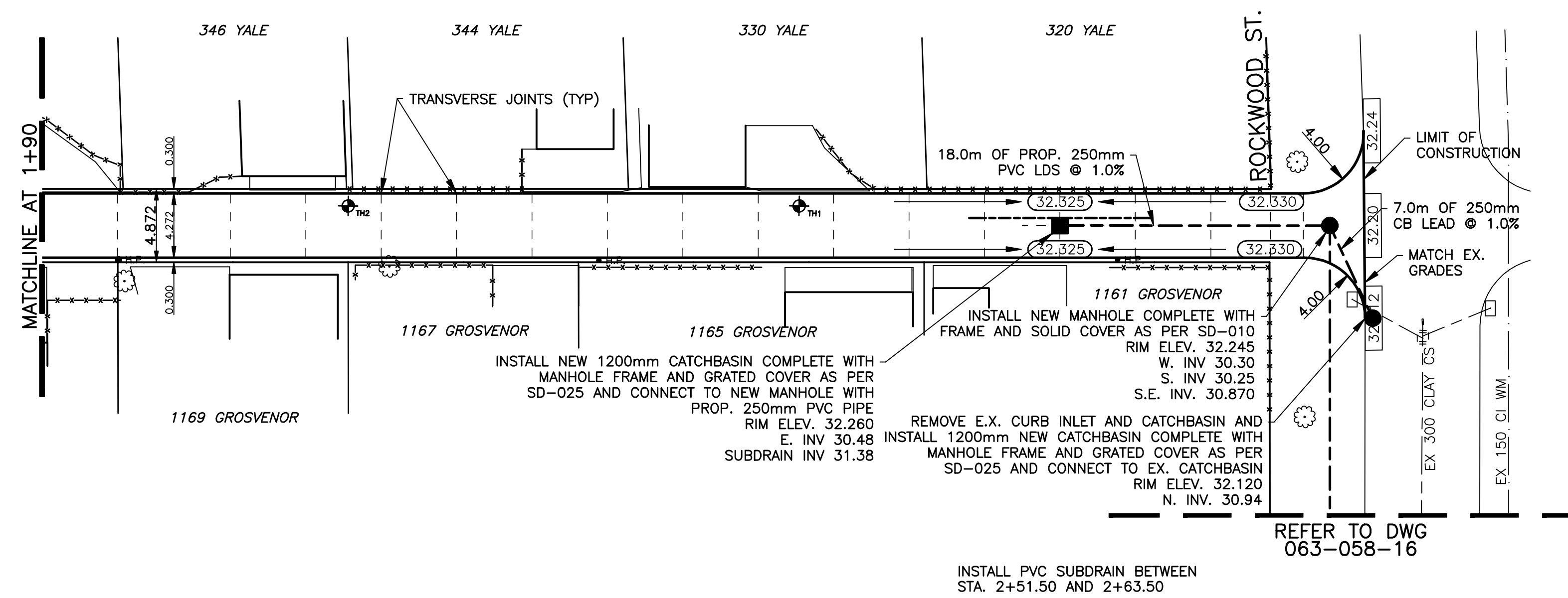
1. ISOLATE EXISTING HYDRO POLES AS DIRECTED BY CONTRACT ADMINISTRATOR
2. RENEW EXISTING APPROACHES AS DIRECTED BY CONTRACT ADMINISTRATOR
3. EXTEND SUBDRAINS AS DIRECTED BY CONTRACT ADMINISTRATOR
4. ADDITIONAL EXCAVATION AND INSTALLATION OF SUBGRADE GEOGRID TO BE DETERMINED BY CONTRACT ADMINISTRATOR



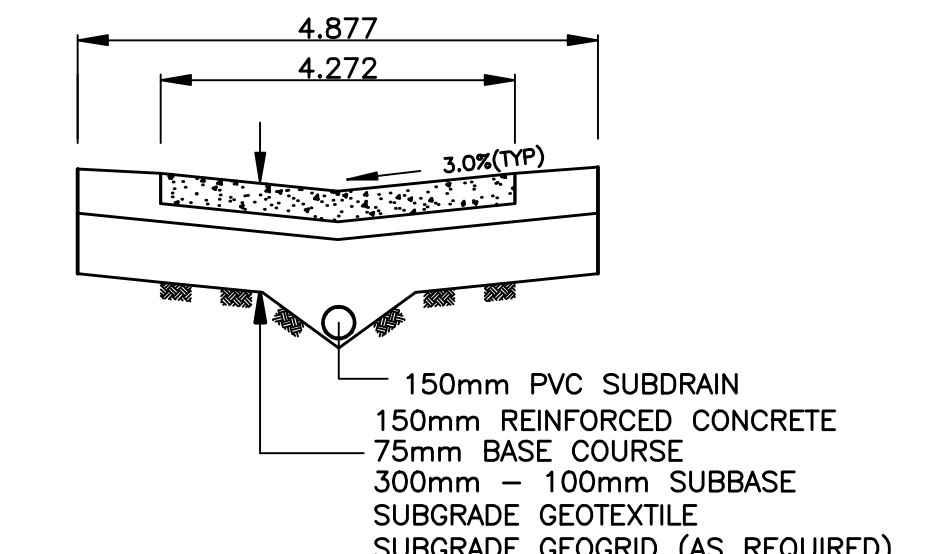
TYPICAL PAVEMENT CROSS SECTION
N.T.S.

CHAINAGE ALONG CENTER OF ROW

YALE / GROSVENOR ALLEY



ALLEY CROSS SECTION
N.T.S.



TYPICAL ALLEY CROSS SECTION WITH SUBDRAIN
N.T.S.

BENCHMARK:
S.W. CORNER GROSVENOR AVE. & WILTON ST. TBLT. IN N. CONC. WALL OF ST. GEORGES ANGLICAN CHURCH, NO. 1118 GROSVENOR AVE., 1.0m E. & 0.5m BELOW TYNDAL STONE OF N.W. COR. CHURCH

METRIC
WHOLE NUMBERS INDICATE MILLIMETRES
DECIMALIZED NUMBERS INDICATE METRES

EXISTING	LEGEND - PLAN	PROPOSED	EXISTING	LEGEND - PLAN	PROPOSED	EXISTING	LEGEND - PROFILE	PROPOSED
—	WATERMAIN	—	—	HYDRO	—	—	CENTER LINE	—
—	HYDRANT	—	—	M.T.S.	—	—	NORTH GUTTER LINE	—
—	VALVE	—	—	CONCRETE	—	—	SOUTH GUTTER LINE	—
—	LAND DRAINAGE SEWER	—	—	ASPHALT	—	—	WATERMAIN	—
—	WASTE WATER SEWER	—	—	PROPERTY LINE	—	—	VALVE	—
—	MANHOLE	—	—	SURVEY BAR	—	—	LAND DRAINAGE SEWER	—
—	CATCH BASIN	—	—	CURB STOP	—	—	WASTE WATER SEWER	—
—	CURB INLET	—	—	C.B. LEAD	—	—	ASPH./CONC. PAD	—
—	TRAFFIC SIGNAL	—	—	SIDEWALK	—	—	GARAGE PAD	—
—	STEAM HT.	—	—	SIDEWALK RAMP	—	—	TESTHOLE	—
—	GAS	—	—	ELEVATIONS	—	—		—
—		—	—		—	—		—

LOCATION APPROVED

NO.	REVISIONS	DATE	BY

NOTE:
LOCATION OF UNDERGROUND STRUCTURES AS SHOWN ARE BASED ON THE BEST INFORMATION AVAILABLE BUT NO GUARANTEE IS GIVEN THAT ALL EXISTING UTILITIES ARE SHOWN OR THAT THE GIVEN LOCATIONS ARE EXACT. CONFIRMATION OF EXISTENCE AND EXACT LOCATION OF ALL SERVICES MUST BE OBTAINED FROM THE INDIVIDUAL UTILITIES BEFORE PROCEEDING WITH CONSTRUCTION.

GENIVAR
10 PRAIRIE WAY WINNIPEG, MANITOBA R2T 3J8
PH: (204)-477-6850 FAX: (204)-474-2864

DESIGNED BY	R.H.	CHECKED BY	S.M.
DRAWN BY	R.H.	APPROVED BY	I.McK
HOR. SCALE:	1:250	RELEASED FOR CONSTRUCTION	
VERT. SCALE:	1:10	DATE	JUNE 2009

ENGINEERS SEAL
PROVINCE OF MANITOBA
REGISTERED PROFESSIONAL ENGINEER
I. G. MCKINNON

THE CITY OF WINNIPEG
PUBLICS WORKS DEPARTMENT

2009 ALLEY RENEWALS
YALE/GROSVENOR ALLEY
LANE PAVEMENT
FROM MATCHLINE AT STATION 1+90
TO ROCKWOOD ST.

CITY DRAWING NO.
SHEET 2 OF 2
465-2009