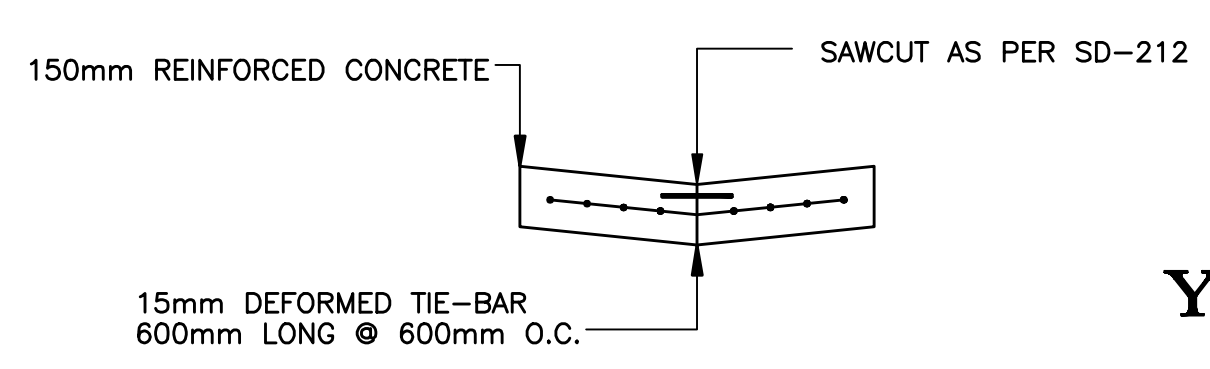
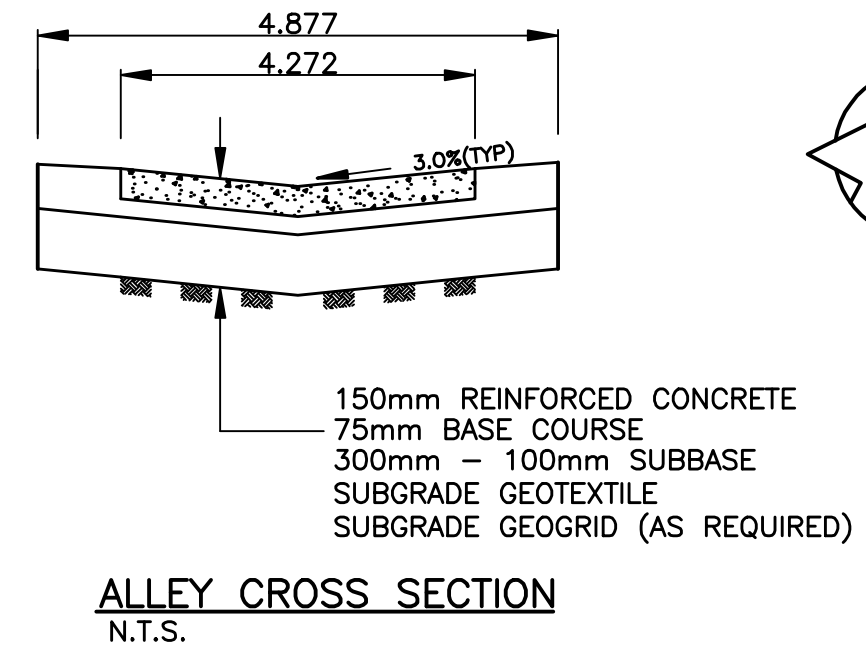
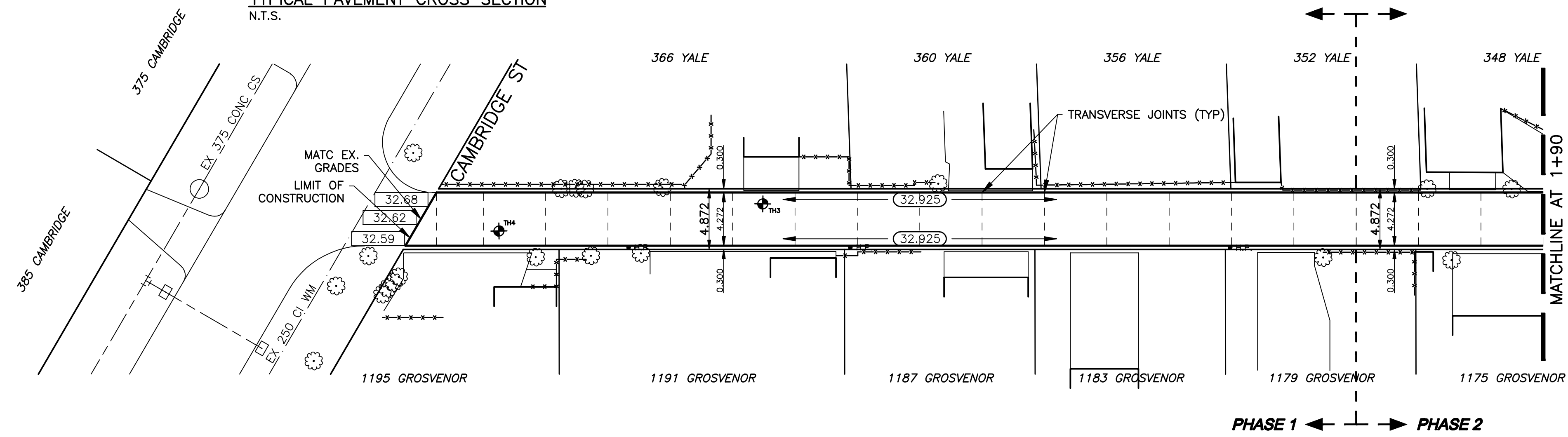


- NOTES:**
1. ISOLATE EXISTING HYDRO POLES AS DIRECTED BY CONTRACT ADMINISTRATOR
 2. RENEW EXISTING APPROACHES AS DIRECTED BY CONTRACT ADMINISTRATOR
 3. EXTEND SUBDRAINS AS DIRECTED BY CONTRACT ADMINISTRATOR
 4. ADDITIONAL EXCAVATION AND INSTALLATION OF SUBGRADE GEOGRID TO BE DETERMINED BY CONTRACT ADMINISTRATOR



YALE / GROSVENOR ALLEY



BENCHMARK:
S.W. CORNER GROSVENOR AVE. & WILTON ST. TBLT. IN N. CONC.
WALL OF ST. GEORGES ANGLICAN CHURCH, NO. 1118 GROSVENOR AVE.,
1.0m E. & 0.5m BELOW TYNDAL STONE OF N.W. COR. CHURCH

METRIC
WHOLE NUMBERS INDICATE MILLIMETRES
DECIMALIZED NUMBERS INDICATE METRES

| | | | | | | | |
|-----|---------------------|-----|---------------|-----|---------------------|-----|---------------------------|
| --- | WATERMAIN | --- | HYDRO | --- | CENTER LINE | --- | LOCATION APPROVED |
| ⊕ | HYDRANT | + | M.T.S. | --- | NORTH GUTTER LINE | --- | B.M. ELEV. |
| ⊙ | VALVE | ⊙ | CONCRETE | --- | SOUTH GUTTER LINE | --- | CWB# 52-039 232.480 |
| --- | LAND DRAINAGE SEWER | --- | ASPHALT | --- | WATERMAIN | --- | DESIGNED BY R.H. |
| --- | WASTE WATER SEWER | --- | PROPERTY LINE | --- | VALVE | --- | CHECKED BY S.M. |
| ○ | MANHOLE | ● | SURVEY BAR | --- | LAND DRAINAGE SEWER | --- | DRAWN BY R.H. |
| □ | CATCH BASIN | ■ | CURB STOP | --- | WASTE WATER SEWER | --- | APPROVED BY I.McK |
| △ | CURB INLET | ▲ | C.B. LEAD | --- | ASPH./CONC. PAD | --- | RELEASED FOR CONSTRUCTION |
| --- | TRAFFIC SIGNAL | --- | SIDEWALK | --- | GARAGE PAD | --- | DATE |
| --- | STEAM HT. | --- | SIDEWALK RAMP | --- | TESTHOLE | --- | DATE |
| --- | GAS | --- | ELEVATIONS | --- | --- | --- | DATE |
| --- | EXISTING | --- | LEGEND - PLAN | --- | LEGEND - PROFILE | --- | DATE |
| --- | PROPOSED | --- | PROPOSED | --- | PROPOSED | --- | DATE |

| | | | |
|-----|-----------|------|----|
| NO. | REVISIONS | DATE | BY |
| | | | |
| | | | |
| | | | |

GENIVAR
10 PRAIRIE WAY WINNIPEG, MANITOBA R2J 3J8
PH: (204)-477-6690 FAX: (204)-474-2864

DESIGNED BY R.H. CHECKED BY S.M.
DRAWN BY R.H. APPROVED BY I.McK
HOR. SCALE: 1:250
VERT. SCALE: 1:10
DATE: JUNE 2009

ENGINEERS SEAL
PROVINCE OF MANITOBA
REGISTERED PROFESSIONAL ENGINEER
I. G. MCKINNON

THE CITY OF WINNIPEG
PUBLICS WORKS DEPARTMENT

2009 ALLEY RENEWALS
YALE/GROSVENOR ALLEY
LANE PAVEMENT
FROM CAMBRIDGE ST.
TO MATCHLINE AT STATION 1+90

CITY DRAWING NO.
SHEET 1 OF 2
465-2009

APEGN
Certificate of Authorization
Genivar Consultants Limited Partnership
No. 4318 Expiry April 30, 2010