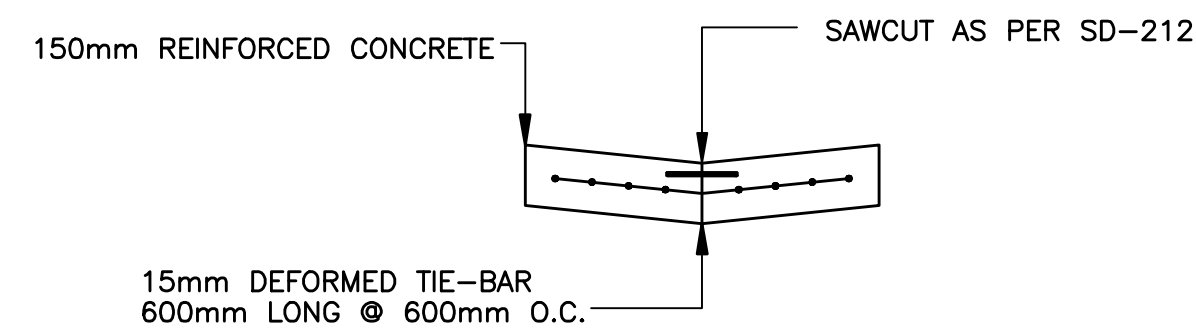
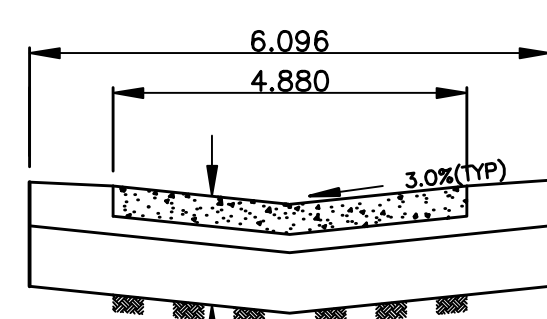


NOTES:

- ISOLATE EXISTING HYDRO POLES AS DIRECTED BY CONTRACT ADMINISTRATOR
- RENEW EXISTING APPROACHES AS DIRECTED BY CONTRACT ADMINISTRATOR
- EXTEND SUBDRAINS AS DIRECTED BY CONTRACT ADMINISTRATOR
- ADDITIONAL EXCAVATION AND INSTALLATION OF SUBGRADE GEOGRID TO BE DETERMINED BY CONTRACT ADMINISTRATOR

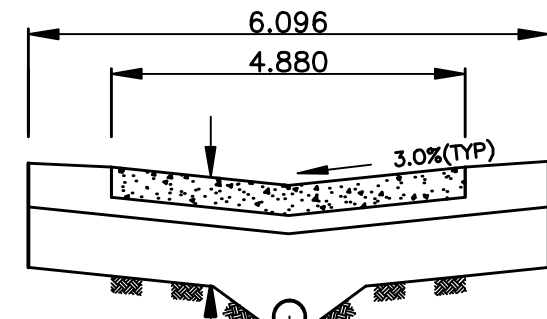


MONTROSE / WAVERLEY ALLEY



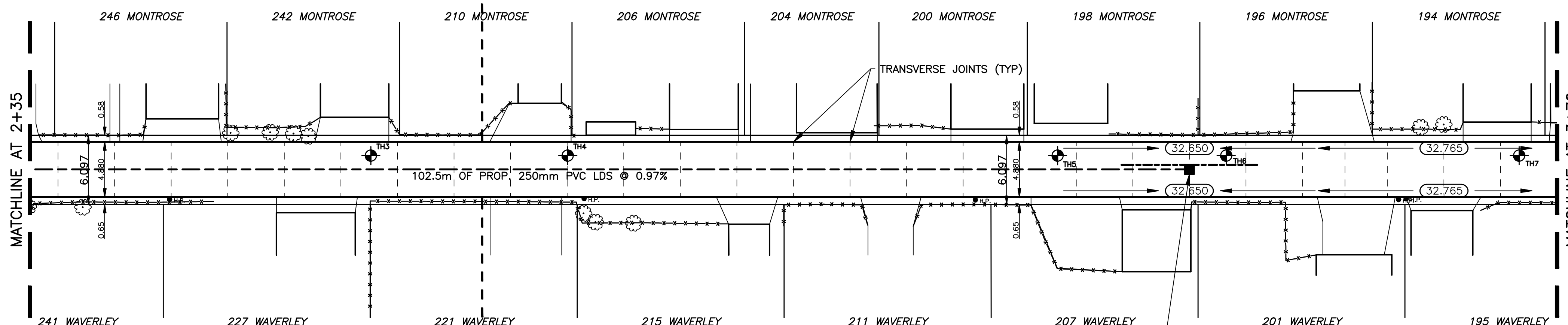
150mm REINFORCED CONCRETE
75mm BASE COURSE
300mm - 50mm SUBBASE
SUBGRADE GEOTEXTILE
SUBGRADE GEOGRID (AS REQUIRED)

ALLEY CROSS SECTION WITH SUBDRAIN
N.T.S.



150mm PVC SUBDRAIN
150mm REINFORCED CONCRETE
75mm BASE COURSE
300mm - 50mm SUBBASE
SUBGRADE GEOTEXTILE
SUBGRADE GEOGRID (AS REQUIRED)

TYPICAL ALLEY CROSS SECTION WITH SUBDRAIN
N.T.S.



INSTALL NEW 1200mm CATCHBASIN COMPLETE WITH FRAME AND GRATED COVER AS PER SD-025 AND CONNECT TO NEW CATCHBASIN WITH PROP. 250mm PVC PIPE
RIM ELEV. 32.575
N. INV. 31.40
S. INV. 31.40
SUBDRAIN INV. 31.69

METRIC

WHOLE NUMBERS INDICATE MILLIMETRES
DECIMAL NUMBERS INDICATE METRES

INSTALL PVC SUBDRAIN BETWEEN STA. 3+31.50 AND 3+43.50

BENCHMARK:
S.E. COR. OF GROSEVENOR AVE. & LANE E. OF ASH ST.
19mm DIA. x 6.1m I.B. IN VALVE BOX, 2.0m E. OF E.L. OF LANE & 1.0m S. OF S.L. OF GROSEVENOR AVE.

—	WATERMAIN	—	HYDRO	—	CENTER LINE	—	LOCATION APPROVED	—	B.M. ELEV.	—	ENGINEER'S SEAL	<p>200 TACHE AVENUE WINNIPEG, MANITOBA R2H 1A7 PH: (204)-233-2113 FAX: (204)-233-2080</p>	<p>THE CITY OF WINNIPEG PUBLIC WORKS DEPARTMENT</p>	<p>2009 ALLEY RENEWALS MONTROSE / WAVERLEY ALLEY LANE PAVEMENT</p>	<p>CITY DRAWING NO. SHEET 2 OF 3 465-2009</p>
—	HYDRANT	—	M.T.S.	—	WEST GUTTER LINE	—	DATE	—	QMBM: 51-030	DESIGNED BY R.H.	CHECKED BY S.M.				
—	VALVE	—	CONCRETE	—	EAST GUTTER LINE	—	DATE	—	232.751	DRAWN BY R.H.	APPROVED BY I.McK.	<p>CONSULTANT DRAWING NO. 063-058-05</p>	<p>DATE</p>		
—	LAND DRAINAGE SEWER	—	ASPHALT	—	WATERMAIN	—	DATE	—	—	—	—			—	—
—	WASTE WATER SEWER	—	PROPERTY LINE	—	VALVE	—	DATE	—	—	—	—	—	—		
—	MANHOLE	—	SURVEY BAR	—	LAND DRAINAGE SEWER	—	DATE	—	—	—	—	—	—		
—	CATCH BASIN	—	CURB STOP	—	WASTE WATER SEWER	—	DATE	—	—	—	—	—	—		
—	CURB INLET	—	C.B. LEAD	—	JUNCTIONS	—	DATE	—	—	—	—	—	—		
—	TRAFFIC SIGNAL	—	SIDEWALK	—	TESTHOLE	—	DATE	—	—	—	—	—	—		
—	STEAM HT.	—	SIDEWALK RAMP	—	ASPH./CONC. PAD	—	DATE	—	—	—	—	—	—		
—	GAS	—	ELEVATIONS	—	GARAGE PAD	—	DATE	—	—	—	—	—	—		
—	EXISTING	—	LEGEND - PLAN	—	PROPOSED	—	DATE	—	—	—	—	—	—		
—	PROPOSED	—	LEGEND - PROFILE	—	PROPOSED	—	DATE	—	—	—	—	—	—		

