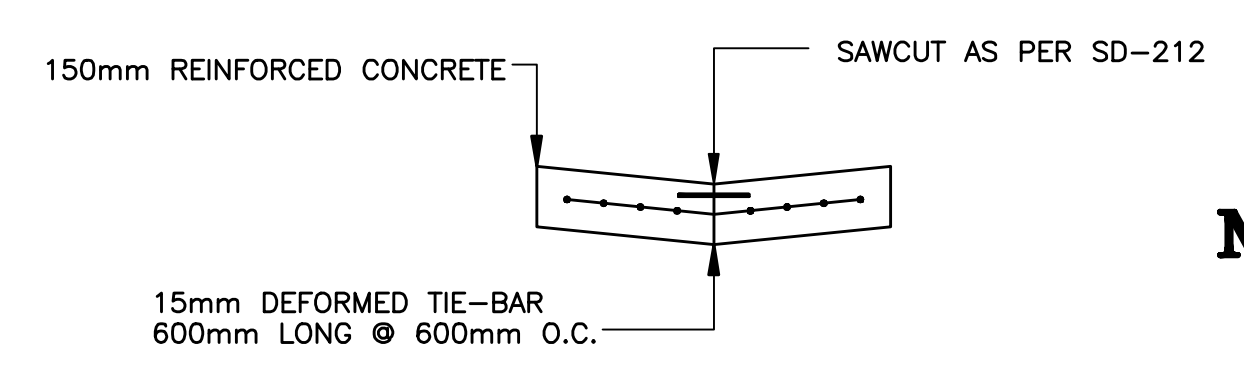


NOTES:

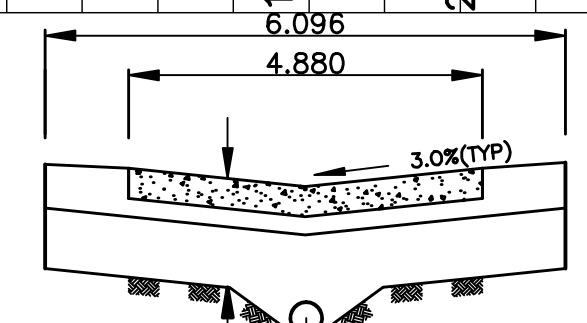
1. ISOLATE EXISTING HYDRO POLES AS DIRECTED BY CONTRACT ADMINISTRATOR
2. RENEW EXISTING APPROACHES AS DIRECTED BY CONTRACT ADMINISTRATOR
3. EXTEND SUBDRAINS AS DIRECTED BY CONTRACT ADMINISTRATOR
4. ADDITIONAL EXCAVATION AND INSTALLATION OF SUBGRADE GEOTEXTILE TO BE DETERMINED BY CONTRACT ADMINISTRATOR



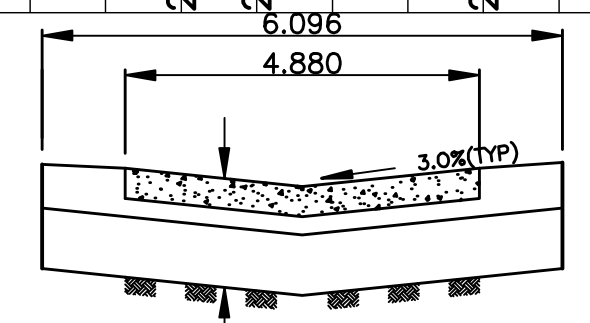
TYPICAL PAVEMENT CROSS SECTION
N.T.S.

CHAINAGE ALONG CENTER OF ROW

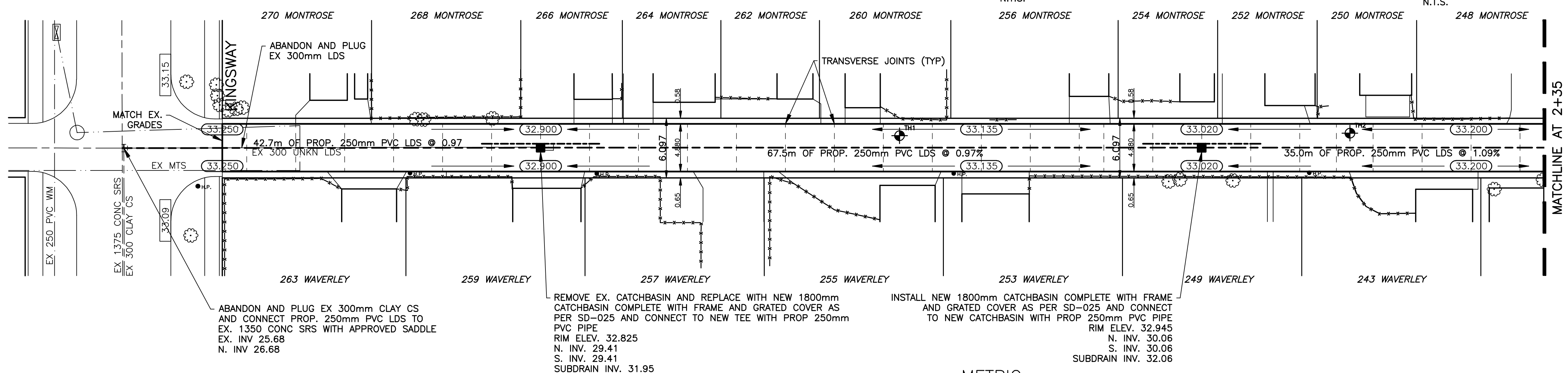
MONTROSE / WAVERLEY ALLEY



TYPICAL ALLEY CROSS SECTION WITH SUBDRAIN
N.T.S.



ALLEY CROSS SECTION
N.T.S.



BENCHMARK:
S.E. COR. OF GROSEVEANOR AVE. & LANE E. OF ASH ST.
19mm DIA. x 6.1m I.B. IN VALVE BOX, 2.0m E. OF E.L. OF LANE & 1.0m S. OF S.L. OF GROSEVEANOR AVE.

METRIC
WHOLE NUMBERS INDICATE MILLIMETRES
DECIMAL NUMBERS INDICATE METRES

INSTALL PVC SUBDRAIN BETWEEN
STA. 1+26.50 AND 1+38.50 AND
STA. 1+94 AND 2+06

—	WATERMAIN	—	HYDRO	—	CENTER LINE	—	LOCATION APPROVED
—	HYDRANT	—	M.T.S.	—	WEST GUTTER LINE	—	B.M. ELEV.
—	VALVE	—	CONCRETE	—	EAST GUTTER LINE	—	QWB# 51-030
—	LAND DRAINAGE SEWER	—	ASPHALT	—	WATERMAIN	—	232.751
—	WASTE WATER SEWER	—	PROPERTY LINE	—	VALVE	—	
—	MANHOLE	—	SURVEY BAR	—	LAND DRAINAGE SEWER	—	
—	CATCH BASIN	—	CURB STOP	—	WASTE WATER SEWER	—	
—	CURB INLET	—	C.B. LEAD	—	JUNCTIONS	—	
—	TRAFFIC SIGNAL	—	SIDEWALK	—	TESTHOLE	—	
—	STEAM HT.	—	SIDEWALK RAMP	—	ASPH./CONC. PAD	—	
—	GAS	—	ELEVATIONS	—	GARAGE PAD	—	
—	EXISTING	—	LEGEND - PLAN	—	PROPOSED	—	

NO.	REVISIONS	DATE	BY

GENIVAR
200 TACHE AVENUE WINNIPEG, MANITOBA R2H 1A7
PH: (204)-233-2113 FAX: (204)-233-2080

DESIGNED BY: R.H. CHECKED BY: S.M.
DRAWN BY: R.H. APPROVED BY: I.McK.
HOR. SCALE: 1:250
VERT. SCALE: 1:10
DATE: JUNE 2009

ENGINEERS SEAL
I. G. MCKINNON
REGISTERED PROFESSIONAL ENGINEER

THE CITY OF WINNIPEG
PUBLIC WORKS DEPARTMENT

2009 ALLEY RENEWALS
MONTROSE / WAVERLEY ALLEY
LANE PAVEMENT
FROM KINGSWAY
TO MATCHLINE AT STATION 2+35

CITY DRAWING NO. SHEET 1 OF 3
465-2009