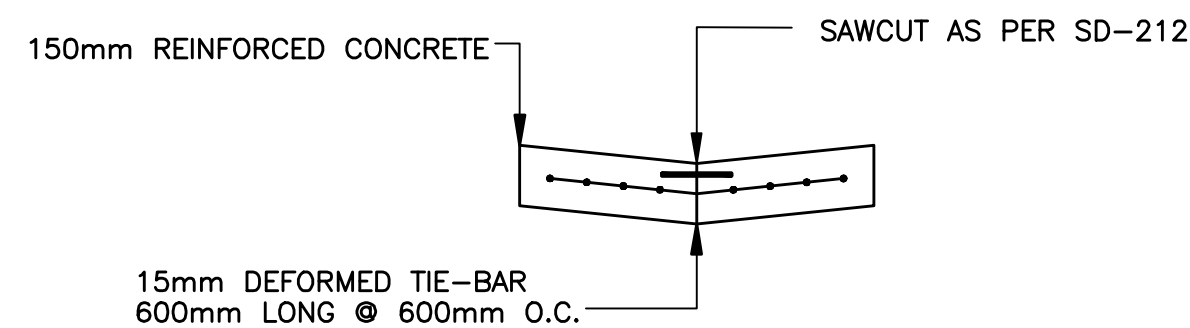


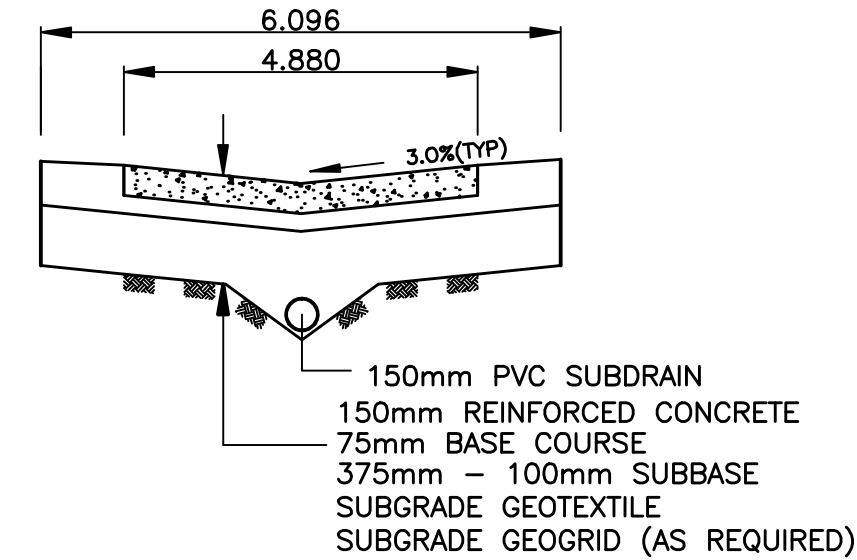
**NOTES:**

- ISOLATE EXISTING HYDRO POLES AS DIRECTED BY CONTRACT ADMINISTRATOR
- RENEW EXISTING APPROACHES AS DIRECTED BY CONTRACT ADMINISTRATOR
- EXTEND SUBDRAINS AS DIRECTED BY CONTRACT ADMINISTRATOR
- ADDITIONAL EXCAVATION AND INSTALLATION OF SUBGRADE GEOGRID TO BE DETERMINED BY CONTRACT ADMINISTRATOR

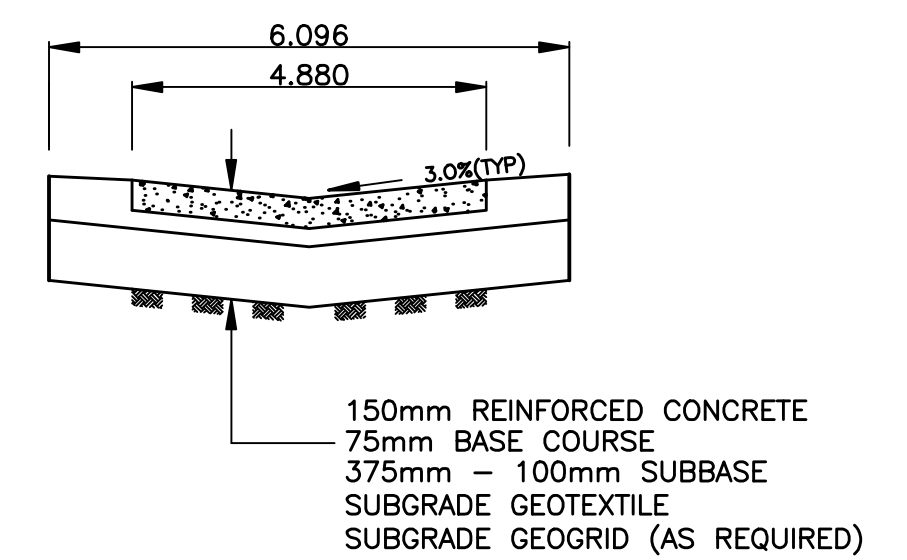


TYPICAL PAVEMENT CROSS SECTION  
N.T.S.

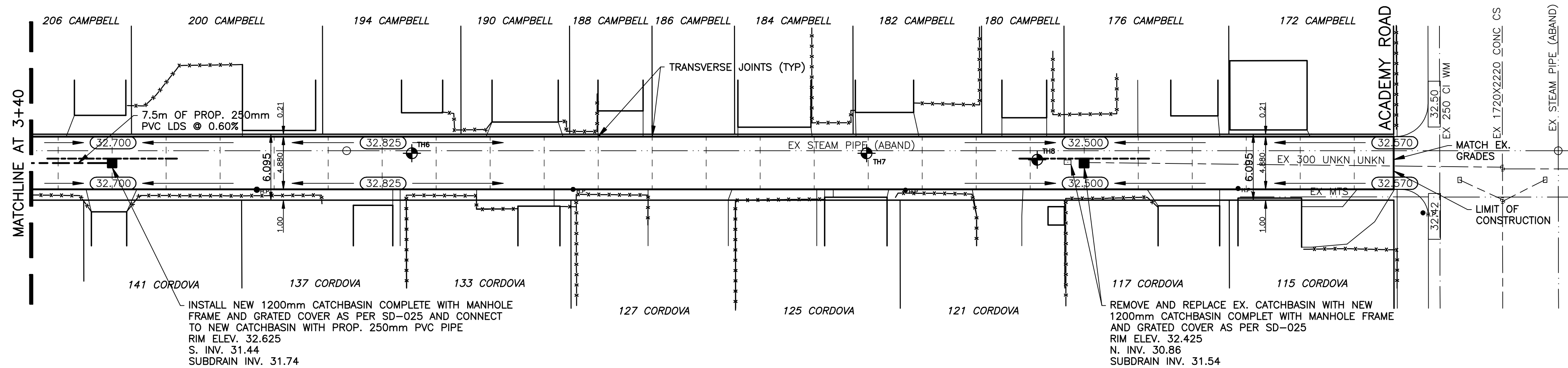
**CAMPBELL / CORDOVA ALLEY**



TYPICAL ALLEY CROSS SECTION WITH SUBDRAIN  
N.T.S.



ALLEY CROSS SECTION  
N.T.S.



INSTALL NEW 1200mm CATCHBASIN COMPLETE WITH MANHOLE FRAME AND GRATED COVER AS PER SD-025 AND CONNECT TO NEW CATCHBASIN WITH PROP. 250mm PVC PIPE  
RIM ELEV. 32.625  
S. INV. 31.44  
SUBDRAIN INV. 31.74

REMOVE AND REPLACE EX. CATCHBASIN WITH NEW 1200mm CATCHBASIN COMPLETE WITH MANHOLE FRAME AND GRATED COVER AS PER SD-025  
RIM ELEV. 32.425  
N. INV. 30.86  
SUBDRAIN INV. 31.54

**BENCHMARK:**  
S.W. COR. KINGSWAY & BOREBANK ST., TBLT. IN 4.6m  
CONC. PILE, 2.5m E. OF W.L. BOREBANK ST. & 0.6m S. OF S.L. KINGSWAY

**METRIC**  
WHOLE NUMBERS INDICATE MILLIMETRES  
DECIMAL NUMBERS INDICATE METRES

INSTALL PVC SUBDRAINS BETWEEN  
STA. 3+41.50 AND 3+53.50 AND  
STA. 4+31.50 AND 4+43.50

WATERMAIN	HYDRO	CENTER LINE	LOCATION APPROVED
HYDRANT	M.T.S.	WEST GUTTER LINE	B.M. ELEV.
VALVE	CONCRETE	EAST GUTTER LINE	QWB# 51-036
LAND DRAINAGE SEWER	ASPHALT	WATERMAIN	233.341
WASTE WATER SEWER	PROPERTY LINE	VALVE	
MANHOLE	SURVEY BAR	LAND DRAINAGE SEWER	
CATCH BASIN	CURB STOP	WASTE WATER SEWER	
CURB INLET	C.B. LEAD	JUNCTIONS	
TRAFFIC SIGNAL	SIDEWALK	TESTHOLE	
STEAM HT.	SIDEWALK RAMP	ASPH./CONC. PAD	
GAS	ELEVATIONS	GARAGE PAD	
EXISTING	LEGEND - PLAN	PROPOSED	

NO.	REVISIONS	DATE	BY

**GENIVAR**  
10 PRAIRIE WAY WINNIPEG, MANITOBA R2J 3J8  
PH: (204)-233-2113 FAX: (204)-233-2080

DESIGNED BY: R.H. CHECKED BY: S.M.  
DRAWN BY: R.H. APPROVED BY: I.McK.  
HOR. SCALE: 1:250  
VERT. SCALE: 1:10  
RELEASED FOR CONSTRUCTION: DATE

ENGINEER'S SEAL  
**I. G. MCKINNON**  
REGISTERED PROFESSIONAL ENGINEER

**THE CITY OF WINNIPEG**  
PUBLIC WORKS DEPARTMENT

2009 ALLEY RENEWALS  
CAMPBELL / CORDOVA ALLEY  
LANE PAVEMENT  
FROM MATCHLINE AT STATION 3+40  
TO ACADEMY ROAD

CITY DRAWING NO. SHEET 3 OF 3  
465-2009

