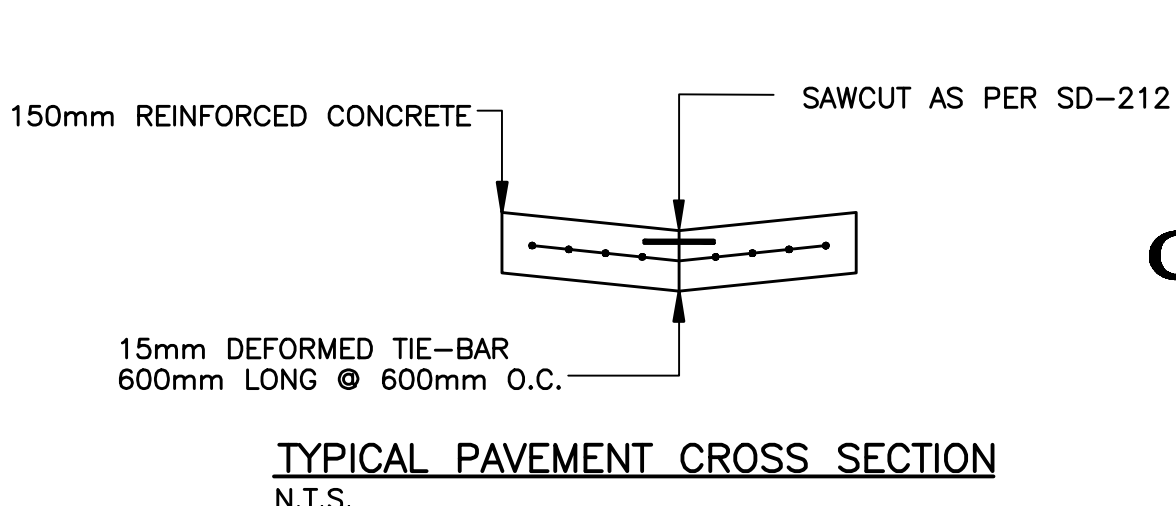
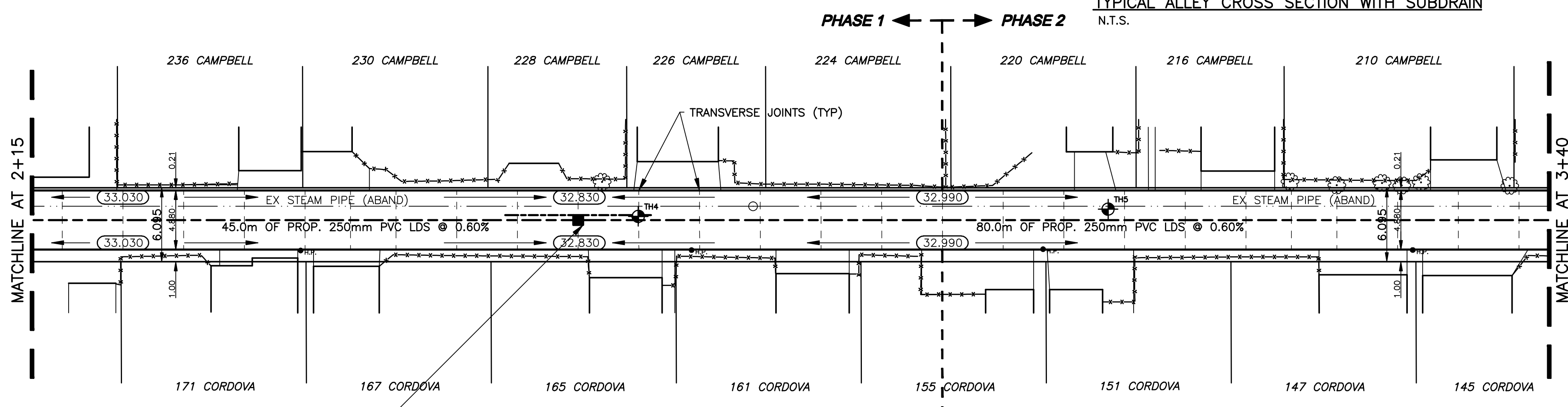
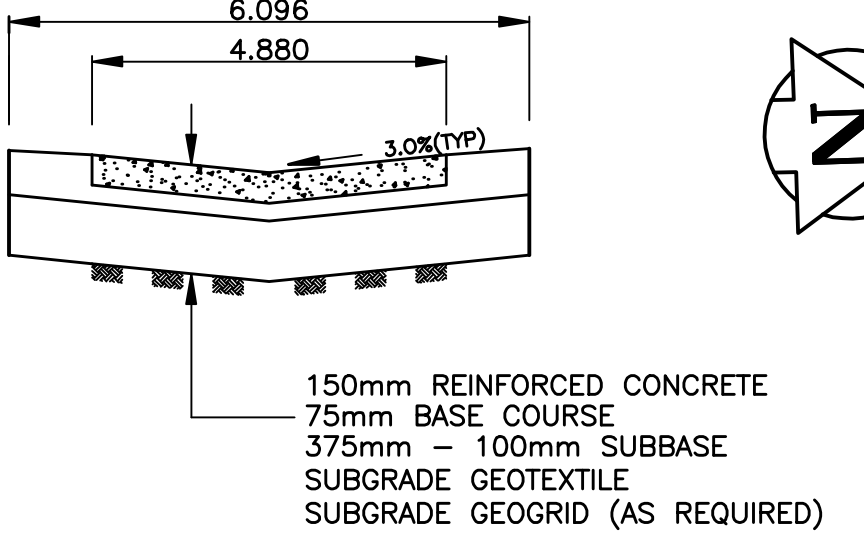
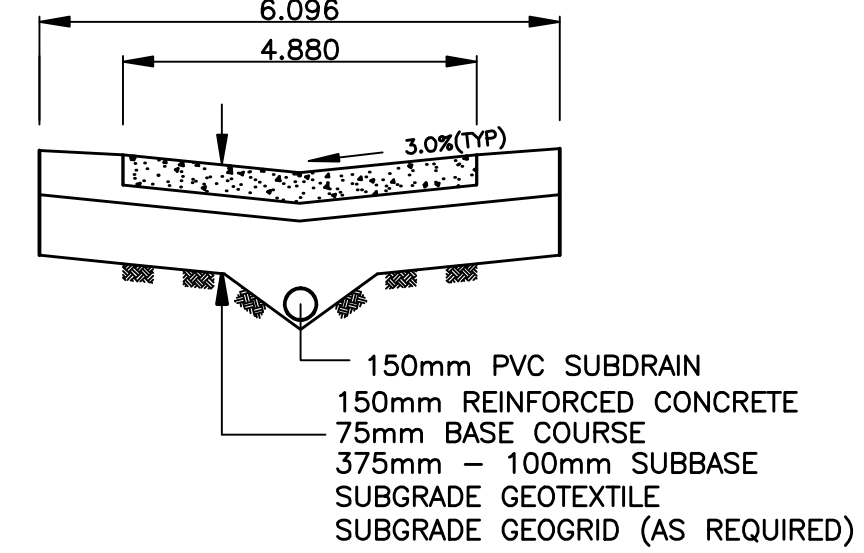


2+15 MATCHLINE
 2+22.50 H.P.
 2+25
 2+50
 2+54 SUBDRAIN BEGINS
 2+60 L.P.
 2+66 SUBDRAIN ENDS
 2+75
 2+90 H.P.
 3+00
 3+25
 3+40 MATCHLINE

- NOTES:**
- ISOLATE EXISTING HYDRO POLES AS DIRECTED BY CONTRACT ADMINISTRATOR
 - RENEW EXISTING APPROACHES AS DIRECTED BY CONTRACT ADMINISTRATOR
 - EXTEND SUBDRAINS AS DIRECTED BY CONTRACT ADMINISTRATOR
 - ADDITIONAL EXCAVATION AND INSTALLATION OF SUBGRADE GEOGRID TO BE DETERMINED BY CONTRACT ADMINISTRATOR



CAMPBELL / CORDOVA ALLEY



INSTALL NEW 1800mm CATCHBASIN COMPLETE WITH MANHOLE FRAME AND GRATED COVER AS PER SD-025 AND CONNECT TO NEW CATCHBASIN WITH PROP. 250mm PVC PIPE
 RIM ELEV. 32.755
 N. INV. 30.91
 S. INV. 30.91
 SUBDRAIN INV. 31.87

BENCHMARK:
 S.W. COR. KINGSWAY & BOREBANK ST., TBLT. IN 4.6m
 CONC. PILE, 2.5m E. OF W.L. BOREBANK ST. & 0.6m S. OF S.L. KINGSWAY

METRIC
 WHOLE NUMBERS INDICATE MILLIMETRES
 DECIMAL NUMBERS INDICATE METRES

INSTALL PVC SUBDRAIN BETWEEN STA. 2+54 AND 2+66

---	WATERMAIN	---	HYDRO	---	CENTER LINE	---	LOCATION APPROVED
⊕	HYDRANT	⊕	M.T.S.	---	WEST GUTTER LINE	---	B.M. ELEV.
⊙	VALVE	⊙	CONCRETE	---	EAST GUTTER LINE	---	QMBM: 51-036
---	LAND DRAINAGE SEWER	---	ASPHALT	---	WATERMAIN	---	233.341
---	WASTE WATER SEWER	---	PROPERTY LINE	---	VALVE	---	
○	MANHOLE	○	SURVEY BAR	---	LAND DRAINAGE SEWER	---	
□	CATCH BASIN	□	CURB STOP	---	WASTE WATER SEWER	---	
△	CURB INLET	△	C.B. LEAD	---	JUNCTIONS	---	
---	TRAFFIC SIGNAL	---	SIDEWALK	---	TESTHOLE	---	
---	STEAM HT.	---	SIDEWALK RAMP	---	ASPH./CONC. PAD	---	
---	GAS	---	ELEVATIONS	---	GARAGE PAD	---	
---	EXISTING	---	LEGEND - PLAN	---	PROPOSED	---	

NO.	REVISIONS	DATE	BY

GENIVAR
 10 PRAIRIE WAY WINNIPEG, MANITOBA R2J 3J8
 Ph: (204)-233-2113 Fax: (204)-233-2080

DESIGNED BY: R.H. CHECKED BY: S.M.
 DRAWN BY: R.H. APPROVED BY: I.McK.
 HOR. SCALE: 1:250
 VERT. SCALE: 1:10
 RELEASED FOR CONSTRUCTION: _____

ENGINEERS SEAL
I. G. MCKINNON
 REGISTERED PROFESSIONAL ENGINEER
 CONSULTANT DRAWING NO. 063-058-02

THE CITY OF WINNIPEG
PUBLIC WORKS DEPARTMENT

2009 ALLEY RENEWALS
CAMPBELL / CORDOVA ALLEY
LANE PAVEMENT
 FROM MATCHLINE AT STATION 2+15
 TO MATCHLINE AT STATION 3+40

CITY DRAWING NO. SHEET 2 OF 3
 465-2009

