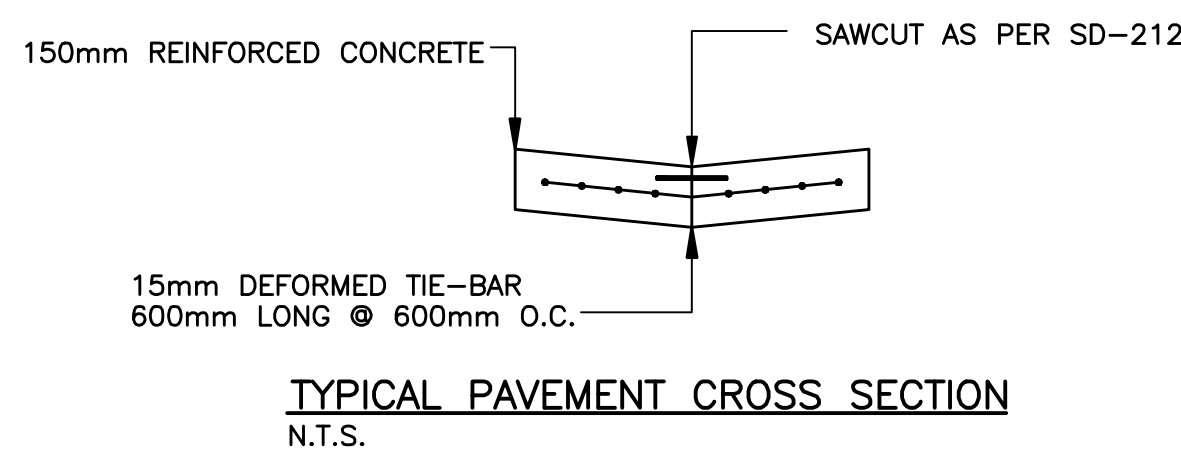
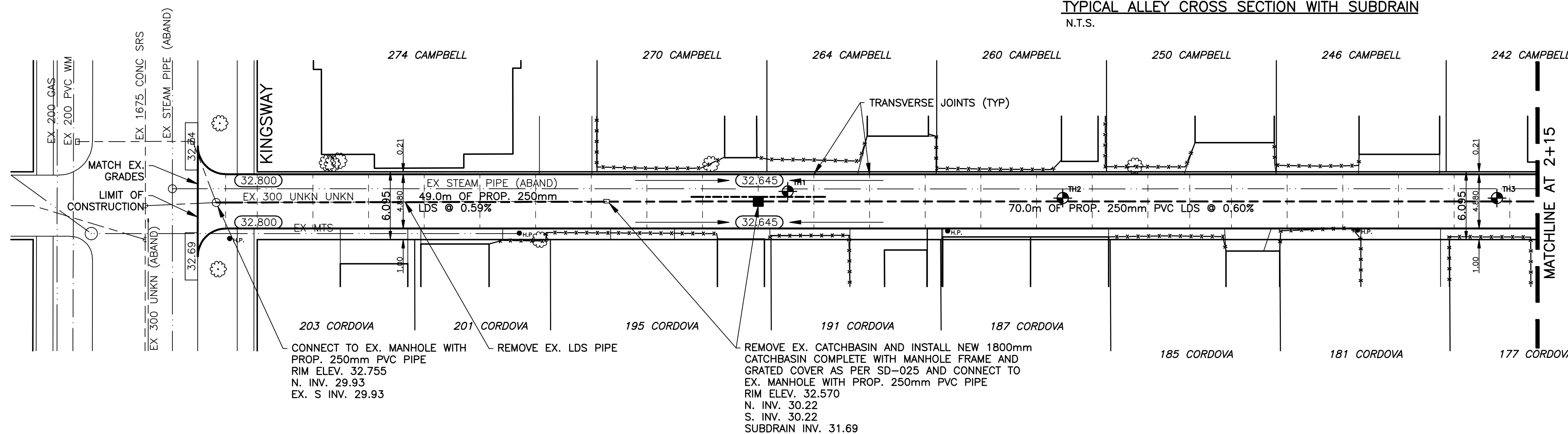
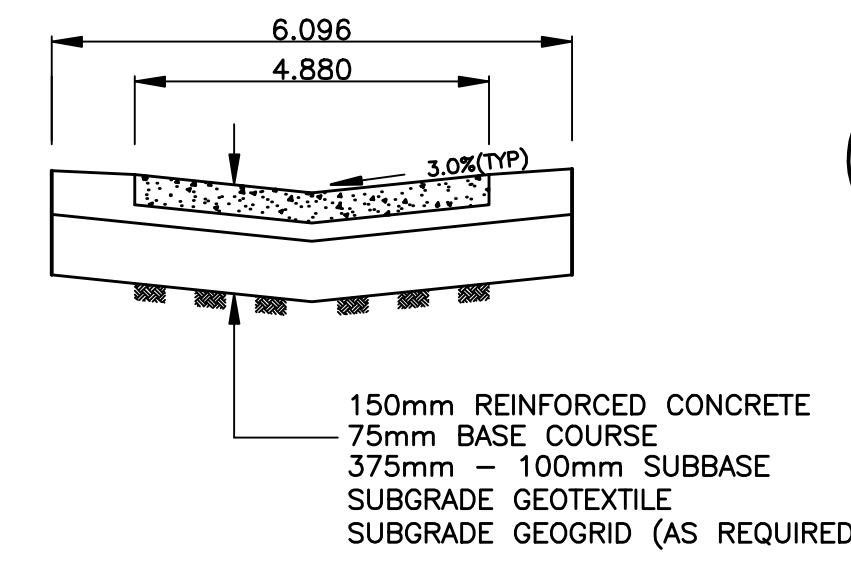
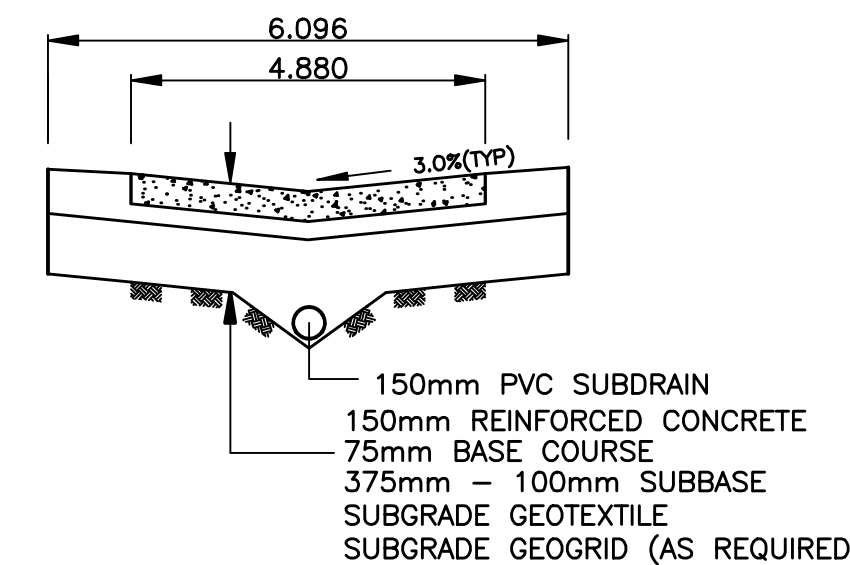


NOTES:

1. ISOLATE EXISTING HYDRO POLES AS DIRECTED BY CONTRACT ADMINISTRATOR
2. RENEW EXISTING APPROACHES AS DIRECTED BY CONTRACT ADMINISTRATOR
3. EXTEND SUBDRAINS AS DIRECTED BY CONTRACT ADMINISTRATOR
4. ADDITIONAL EXCAVATION AND INSTALLATION OF SUBGRADE GEOGRID TO BE DETERMINED BY CONTRACT ADMINISTRATOR



CAMPBELL / CORDOVA ALLEY



BENCHMARK:
S.W. COR. KINGSWAY & BOREBANK ST., TBLT. IN 4.6m
CONC. PILE, 2.5m E. OF W.L. BOREBANK ST. & 0.6m S.
OF S.L. KINGSWAY

METRIC
WHOLE NUMBERS INDICATE MILLIMETRES
DECIMAL NUMBERS INDICATE METRES

INSTALL PVC SUBDRAIN BETWEEN
STA. 1+39 AND 1+51



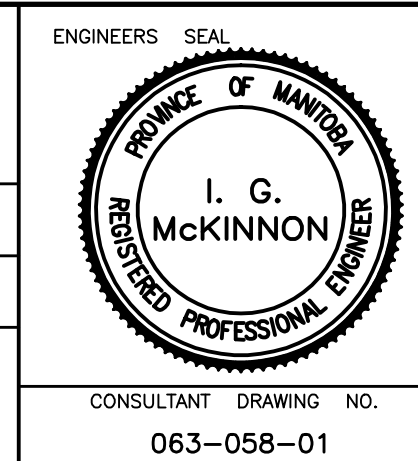
WATERMAIN	HYDRANT	VALVE	LAND DRAINAGE SEWER	WASTE WATER SEWER	MANHOLE	CATCH BASIN	CURB INLET	TRAFFIC SIGNAL	STEAM HT.	GAS	
EXISTING	LEGEND - PLAN	PROPOSED	EXISTING	LEGEND - PLAN	PROPOSED	EXISTING	LEGEND - PLAN	PROPOSED	EXISTING	LEGEND - PROFILE	PROPOSED

LOCATION APPROVED

NO.	REVISIONS	DATE	BY

B.M. ELEV.	QMBM: 51-036 233.341
DESIGNED BY	R.H.
CHECKED BY	S.M.
DRAWN BY	R.H.
APPROVED BY	I.McK.
HOR. SCALE:	1:250
VERT. SCALE:	1:10
RELEASED FOR CONSTRUCTION	DATE
DATE	JUNE 2009

GENIVAR
10 PRAIRIE WAY WINNIPEG, MANITOBA R2J 3J8
PH: (204)-233-2113 FAX: (204)-233-2080



THE CITY OF WINNIPEG
PUBLIC WORKS DEPARTMENT

2009 ALLEY RENEWALS
CAMPBELL / CORDOVA ALLEY
LANE PAVEMENT

FROM KINGSWAY
TO MATCHLINE AT STATION 2+15

CITY DRAWING NO.	
SHEET	1 OF 3
	465-2009