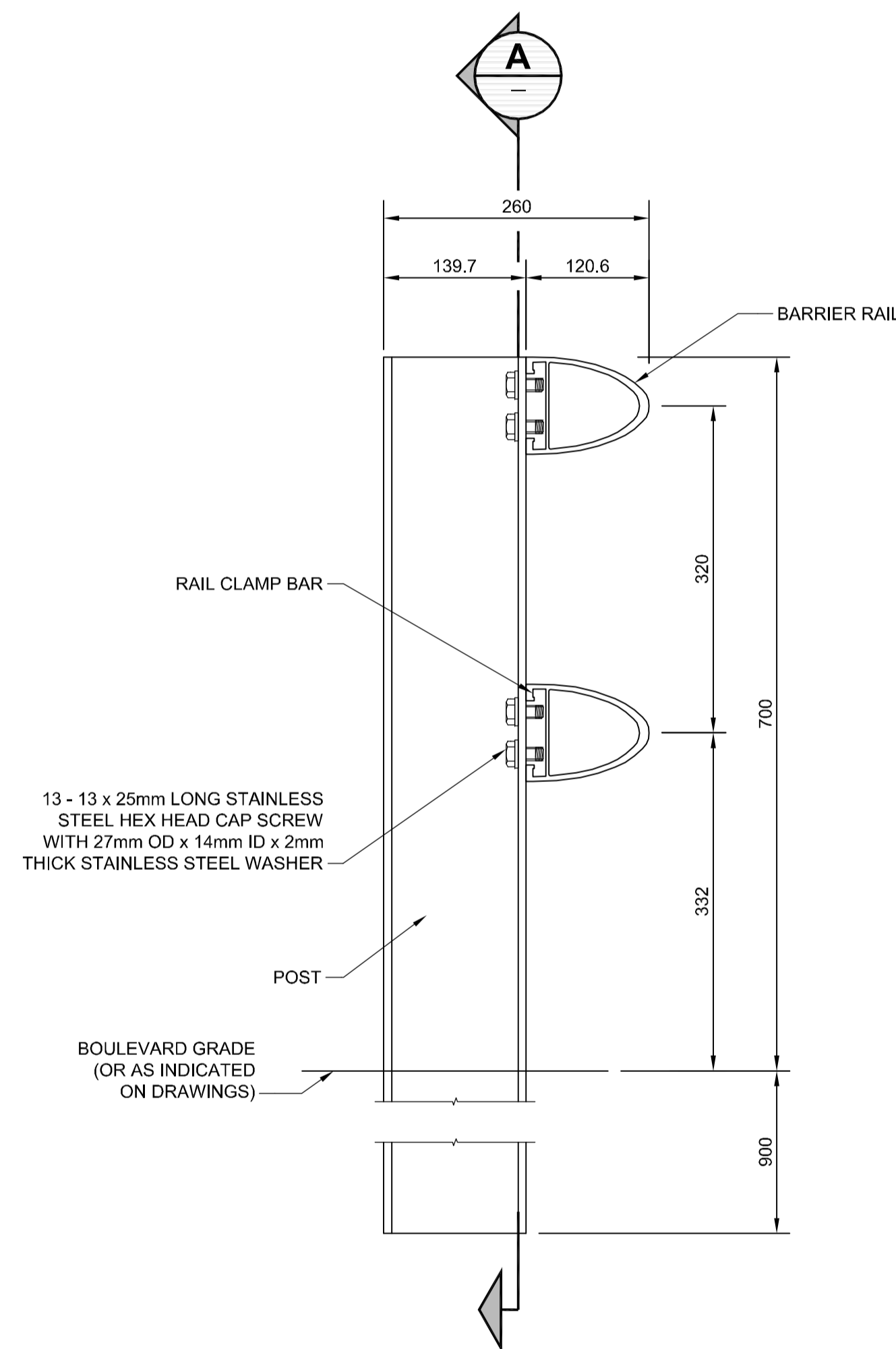
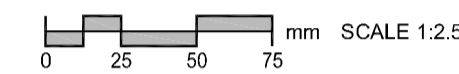
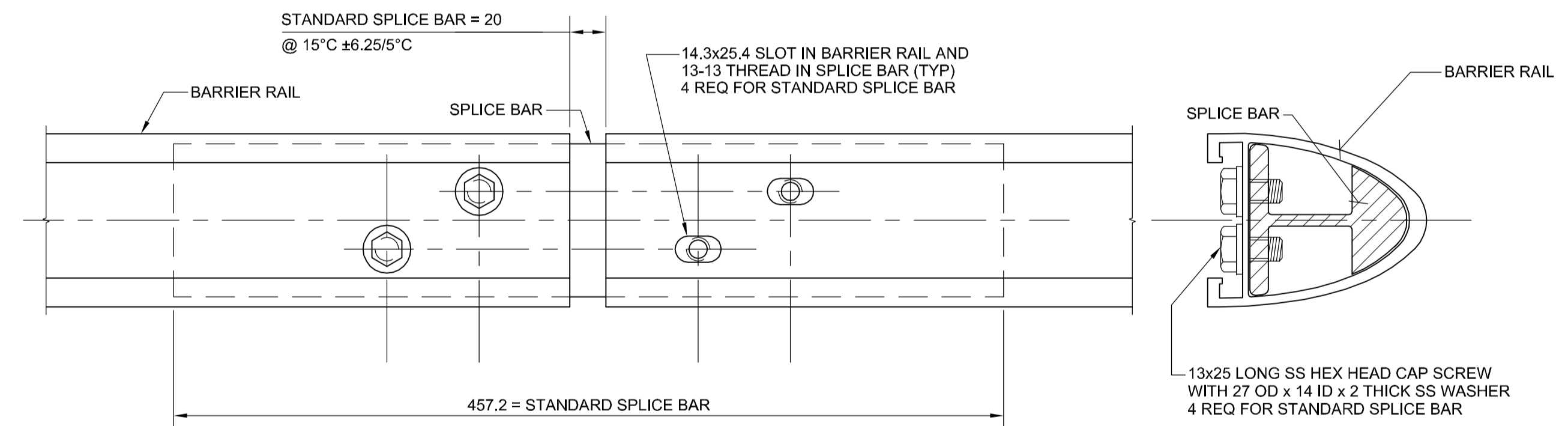
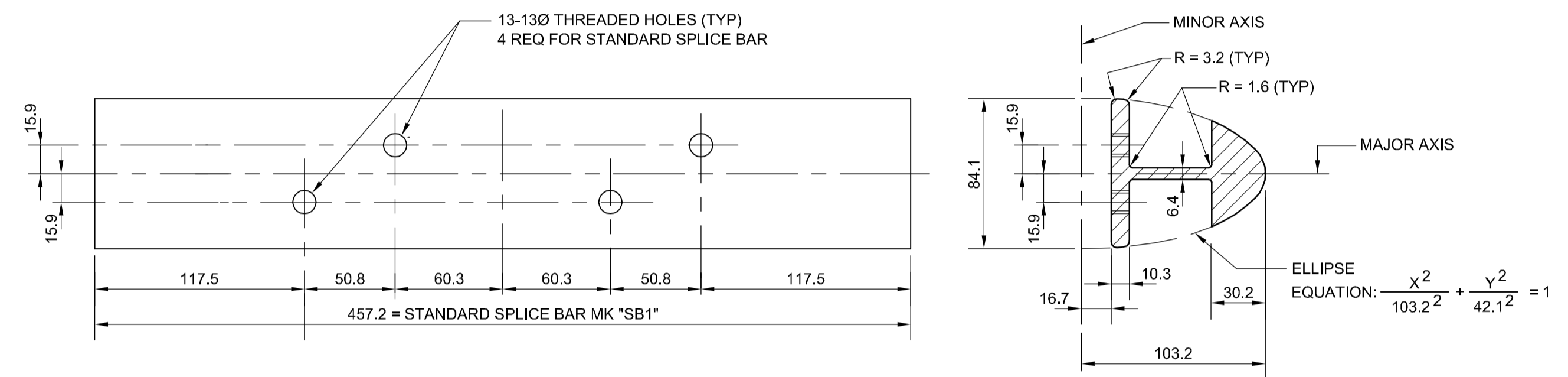
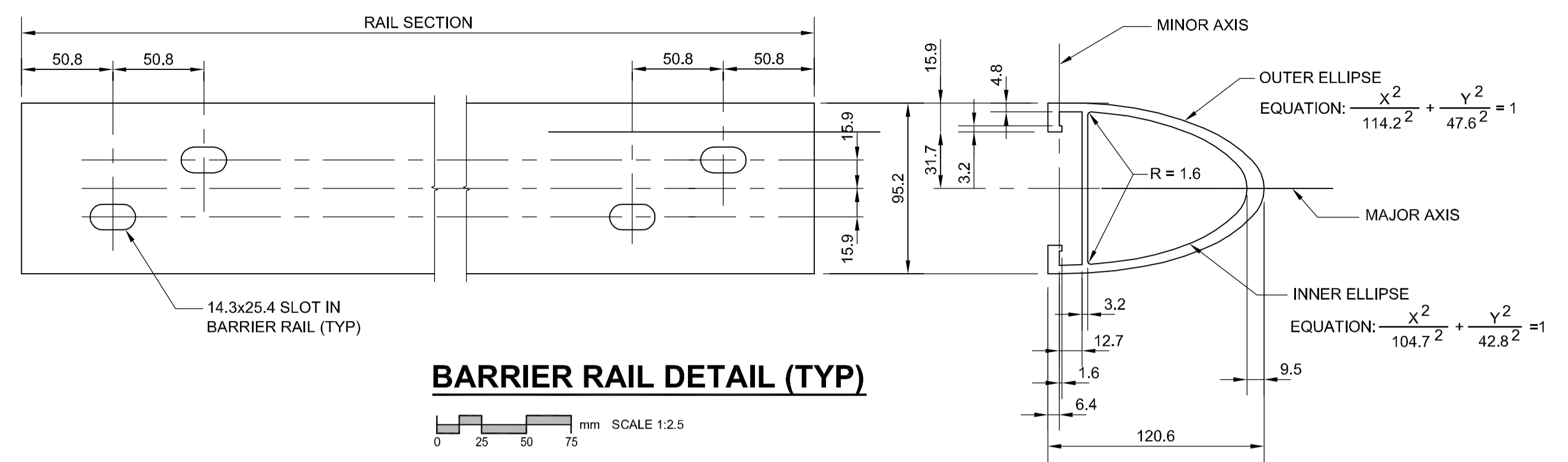
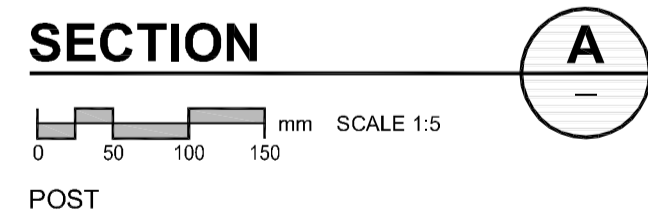
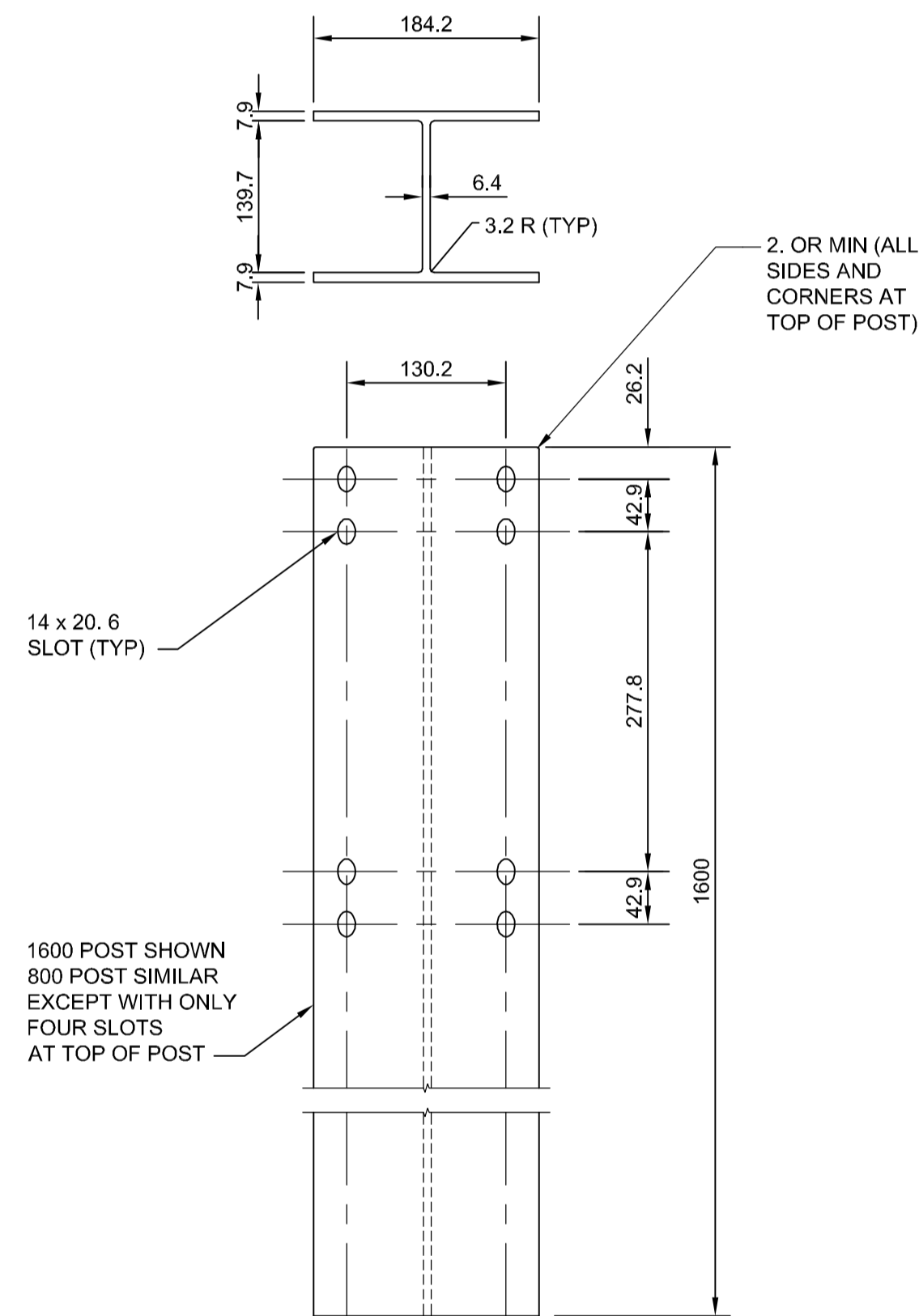
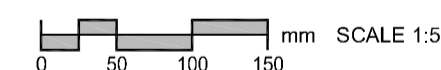


RAIL CLAMP BAR MK "RC1"



RAIL TO POST ASSEMBLY



METRIC
WHOLE NUMBERS INDICATE MILLIMETRES
DECIMALIZED NUMBERS INDICATE METRES

AECOM
Certificate of Authorization
AECOM Canada Ltd.
No. 4671 Date: *JUL. 8/09*

BID OPPORTUNITY NO. 450-2009

---	NATURAL GAS	○	MANHOLE	●	CONCRETE PAVEMENT	▨
---	COMMUNICATION	□	CATCH BASIN / CATCH PIT	■	ASPHALT PAVEMENT	▩
---	HYDRO	△	C & G INLET WITH BOX		CONC. SIDEWALK/MEDIAN	▧
---	CATV	⊙	TREE		PAVING STONE	▤
---	TRAFFIC SIGNALS	⊕	TEST HOLE		GRAVEL	▦
---	LAND DRAINAGE SEWER	⊖	PROPERTY LINE		CURB RAMP	▥
---	SANITARY/COMBINED SEWER	⊗	SURVEY BAR		PAVT PLANING/REMOVAL	▣
---	SSP/DCP	⊘	FENCE			
---	WATERMAIN	⊙	BOC/EOPAVT			
---	SUBDRAIN	⊖	ELEVATION	33.100		
---	DITCH	←				
---	EXISTING	---	LEGEND - PLAN	---	EXISTING	---
---	NEW	---	LEGEND - PLAN	---	NEW	---

---	LOCATION APPROVED	DATE
---	UNDERGROUND STRUCTURES	
---	SUPR. U/G STRUCTURES COMMITTEE	
---	NOTE:	
---	LOCATION OF UNDERGROUND STRUCTURES AS SHOWN ARE BASED ON THE BEST INFORMATION AVAILABLE. BUT NO GUARANTEE IS GIVEN THAT ALL EXISTING UTILITIES ARE SHOWN OR THAT THE GIVEN LOCATIONS ARE EXACT. CONFIRMATION OF EXISTENCE AND EXACT LOCATION OF ALL SERVICES MUST BE OBTAINED FROM THE INDIVIDUAL UTILITIES BEFORE PROCEEDING WITH CONSTRUCTION.	

BM 33-006 ELEV 231.995m			
0	ISSUED FOR CONSTRUCTION	09/07/08	DJH
NO.	REVISIONS	YY/MM/DD	BY

AECOM		PROFESSIONAL'S SEAL	
DESIGNED BY	-	CHECKED BY	JGK
DRAWN BY	DJH	APPROVED BY	-
HOR. SCALE	AS SHOWN	RELEASED FOR CONSTRUCTION	
VERT. SCALE	AS SHOWN		
DATE	09/06/10	DATE	2009 07 08

CONSULTANT DRAWING NO.	0265-410-00_01-CT1005_RX
------------------------	--------------------------

THE CITY OF WINNIPEG
PUBLIC WORKS DEPARTMENT
TRANSPORTATION ENGINEERING DIVISION

MARION STREET
CROSSING OF DUGALD DRAIN REPLACEMENT
Aluminium Balanced Barrier
Approach Guardrail Details II

CITY DRAWING NUMBER P-3312-05
SHEET 5 OF 6
DRAWING No. **05** REV 0