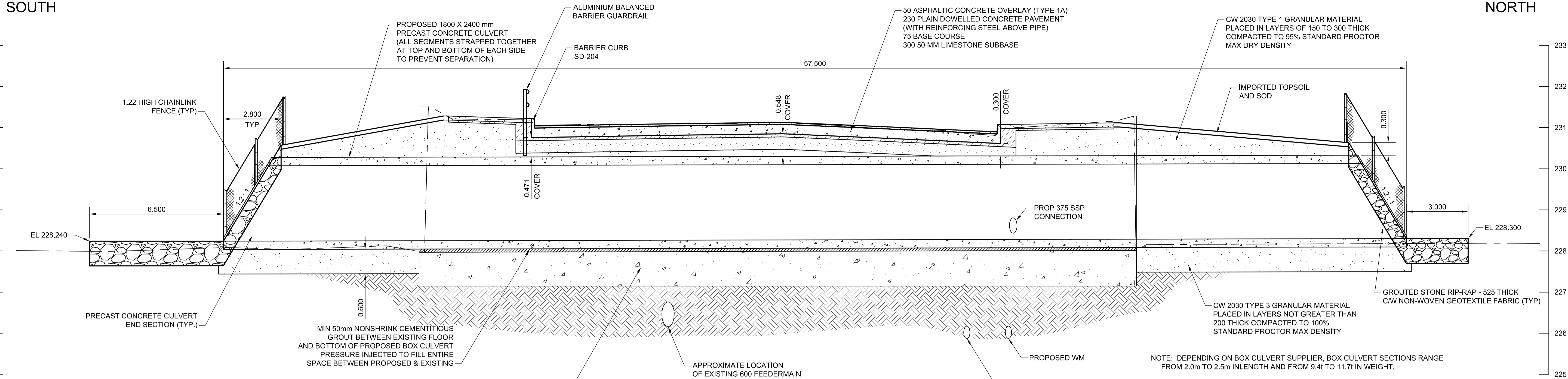


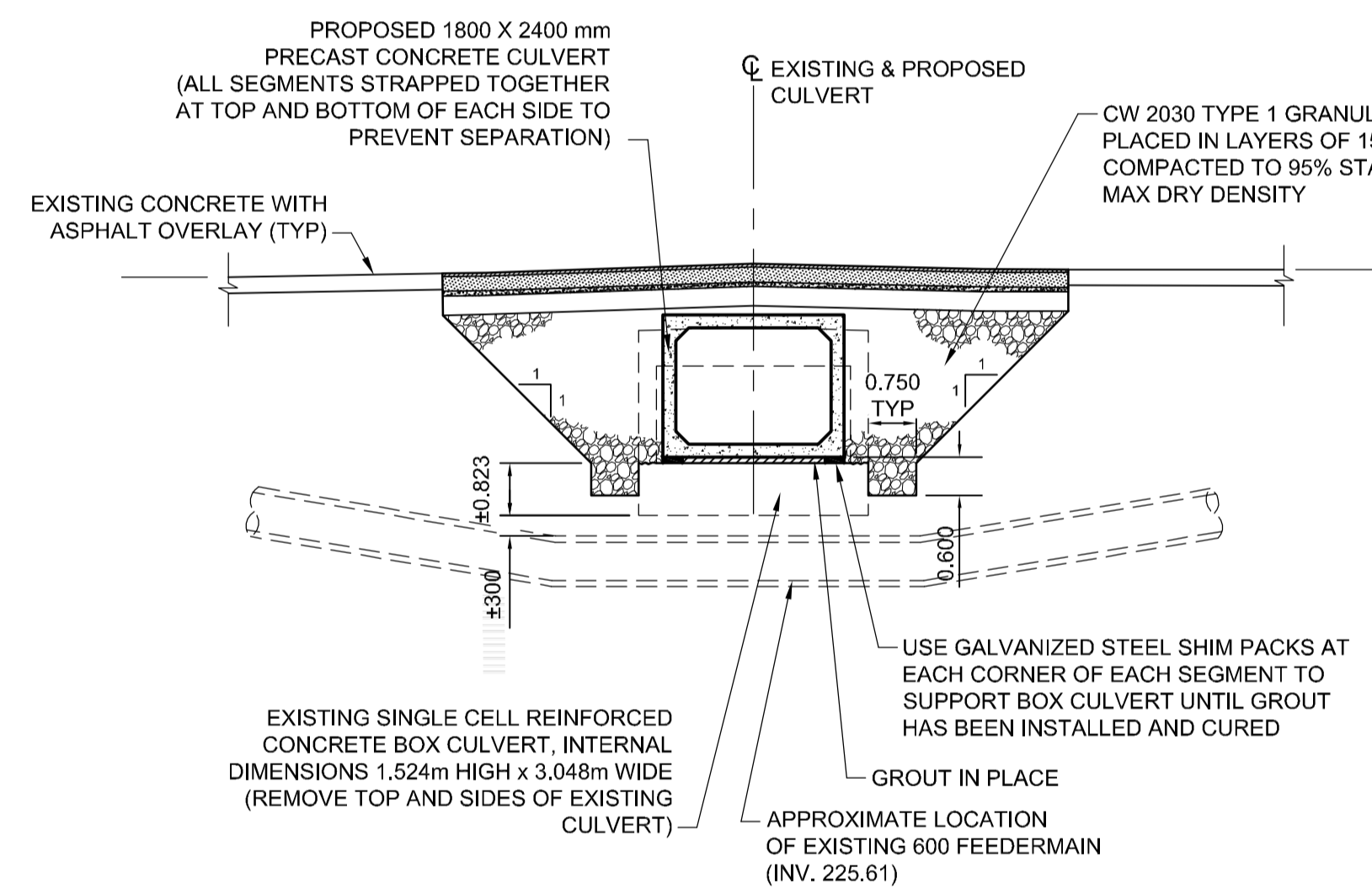
A1 SIZE 23.4" x 33.1" (594mm x 841mm)

SOUTH

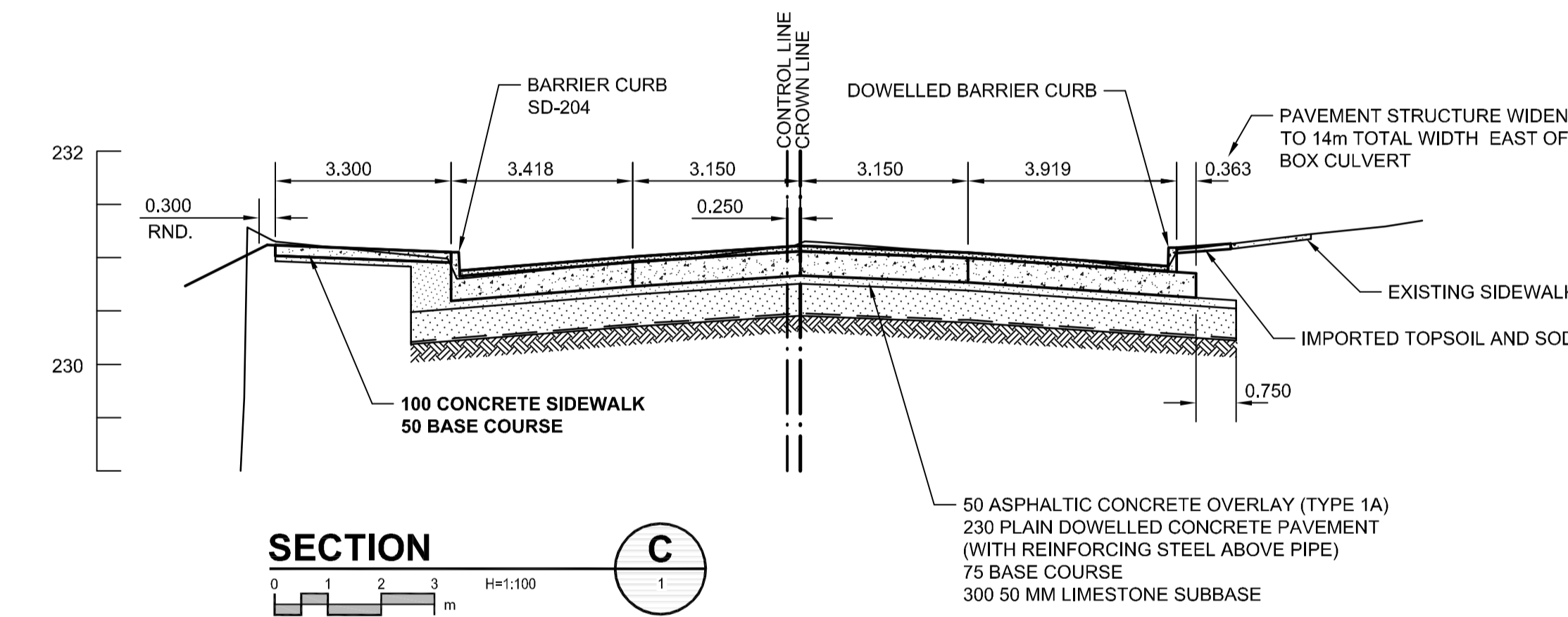
NORTH



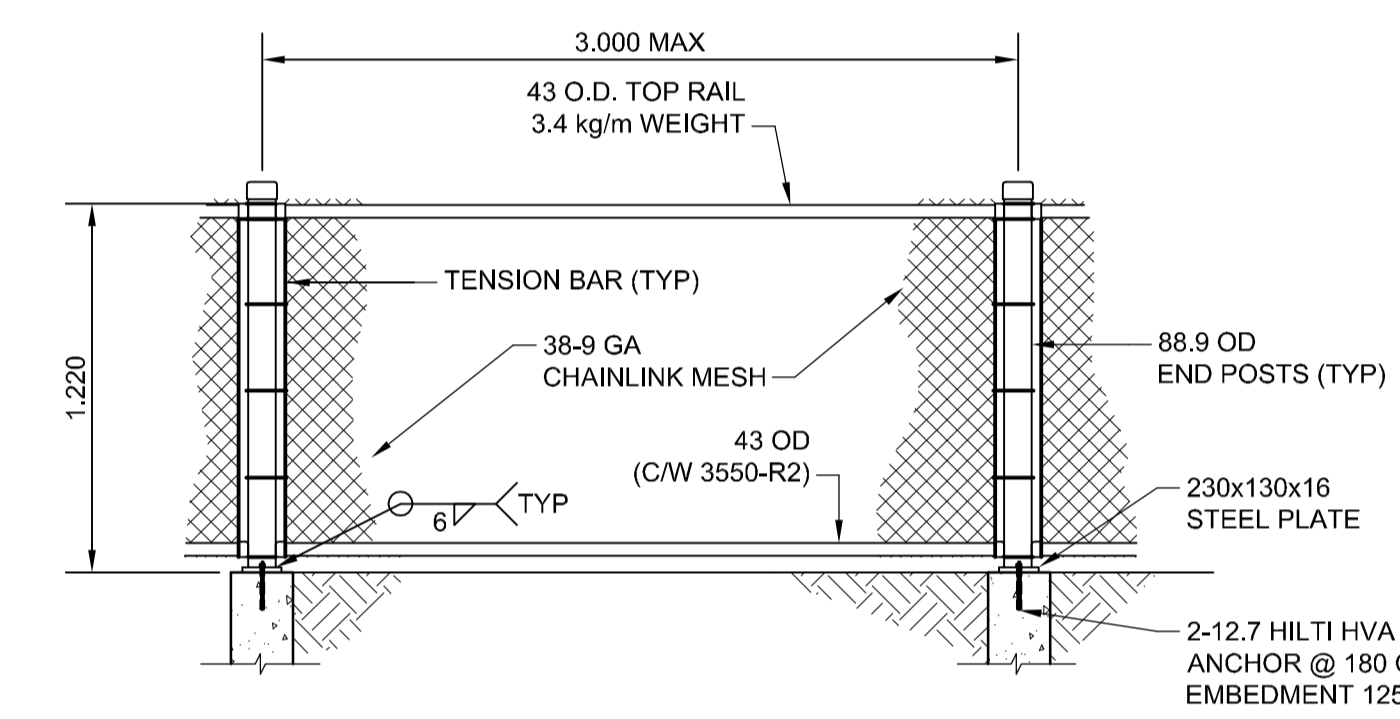
SECTION A
LONGITUDINAL PIPE SECTION
H=1:100
V=1:50



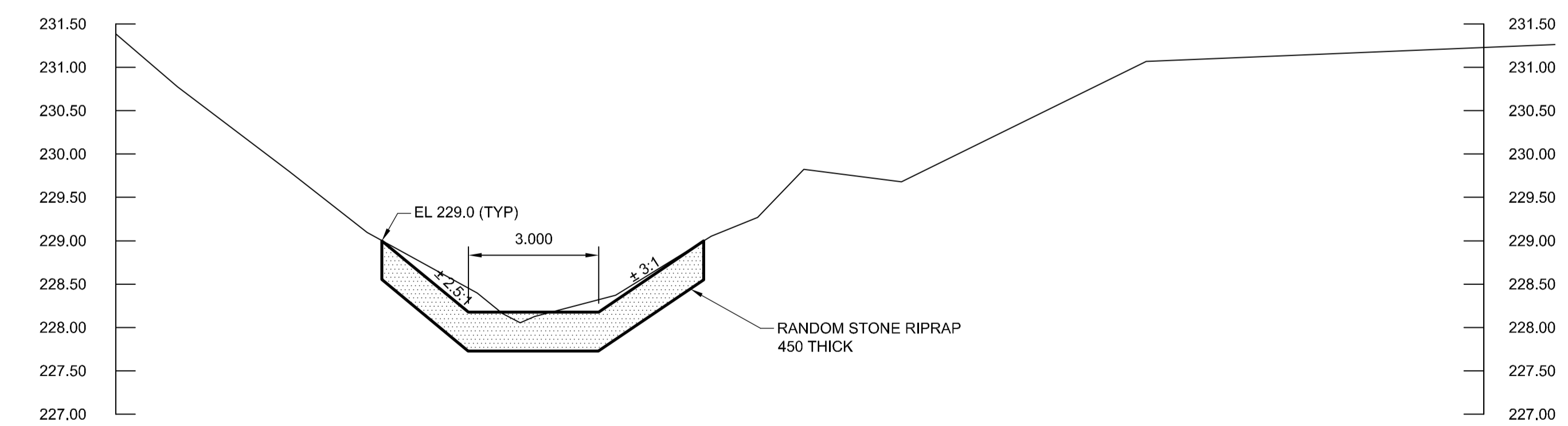
SECTION B
PIPE
SCALE 1:100



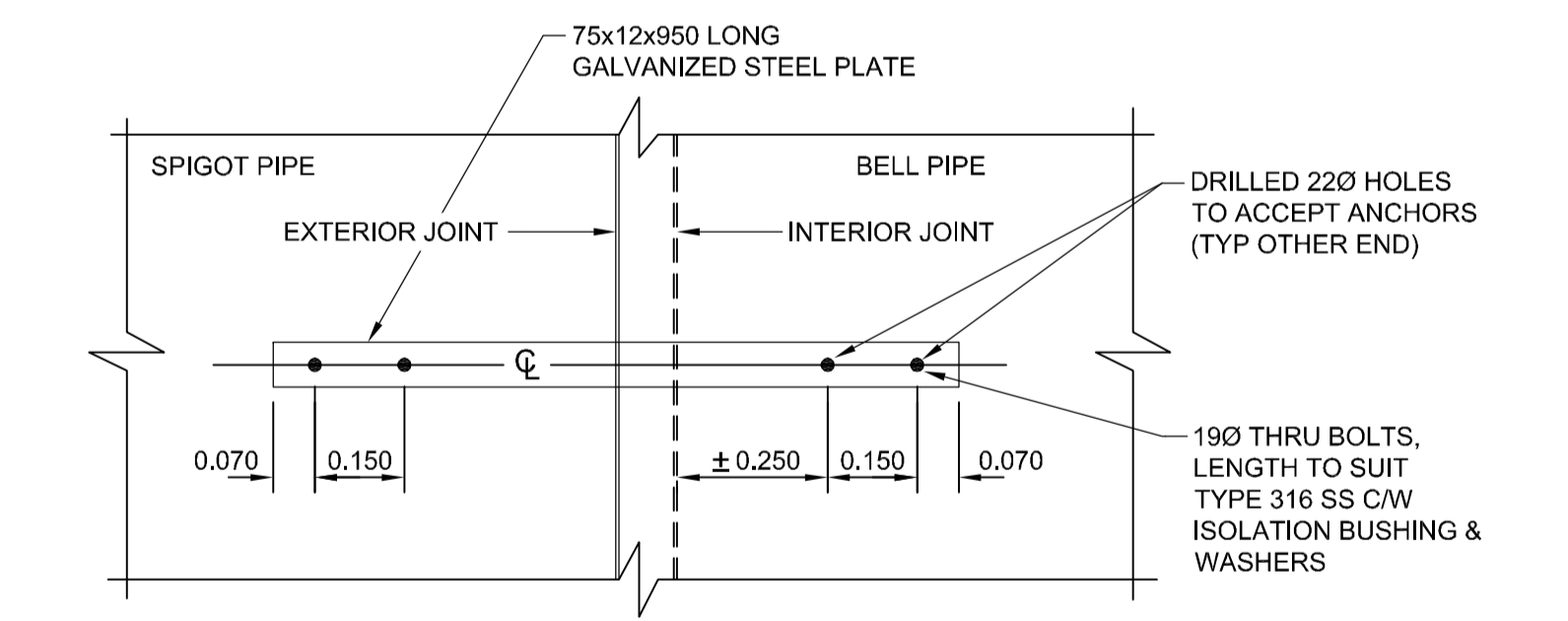
SECTION C
MARION STREET STA:0+170
PAVEMENT RECONSTRUCTION SECTION
H=1:100
V=1:50



1.22 HIGH CHAINLINK FENCE
SCALE 1:25



SECTION D
METRIC
H=1:100
V=1:50



JOINT RESTRAINT
SCALE 1:12.5

- CONSTRUCTION NOTES:**
- CROSSING THE FEEDERMAIN AT LOCATIONS OTHER THAN THE DESIGNATED CROSSING LOCATIONS IS PROHIBITED.
 - AECOM PERSONNEL TO BRIEF CONTRACTOR ABOUT PROTOCOL FOR WORKING OVER THE PIPELINES.
 - IF A BACKHOE IS TO BE UTILIZED, IT SHOULD NOT BE LOCATED DIRECTLY OVER PIPES. A MINIMUM OF 2.5m O/S FROM CENTRE LINE OF PIPES IS TO BE USED.
 - CONTRACTOR TO SUBMIT A PROPOSED EQUIPMENT LIST PRIOR TO CONSTRUCTION.
 - SPEED OF CONSTRUCTION VEHICLES IS TO BE KEPT TO A MINIMUM.
 - CONTACT THE CITY OF WINNIPEG WATER & WASTE PERSONNEL ANDY VINCENT (PH 986 3823) PRIOR TO CONSTRUCTION.
 - REFER TO AECOM GEOTECHNICAL REPORT FOR EXCAVATION, CUT SLOPES FOUNDATION PREPARATION, CULVERT BEDDING AND BACKFILL CONSTRUCTION AND OTHER INFORMATION.

U:\A1\265-410-00_01-CT1002_RX.dwg Saved By: cooperkl

—	NATURAL GAS	○	MANHOLE	●	CONCRETE PAVEMENT	▨
—	COMMUNICATION	□	CATCH BASIN / CATCH PIT	■	ASPHALT PAVEMENT	▩
—	HYDRO	△	C & G INLET WITH BOX	■	CONC. SIDEWALK/MEDIAN	▨
—	CATV	◇	TREE	●	PAVING STONE	▨
—	TRAFFIC SIGNALS	⊕	TEST HOLE	●	GRAVEL	▨
—	LAND DRAINAGE SEWER	⊕	PROPERTY LINE	—	CURB RAMP	▨
—	SANITARY/COMBINED SEWER	⊕	SURVEY BAR	—	PAVT PLANING/REMOVAL	▨
—	SSP/DCP	⊕	FENCE	—		
—	WATERMAIN	⊕	BOC/EOPAVT	—		
—	SUBDRAIN	—	ELEVATION	33.100		
—	DITCH	—				
—	EXISTING	—	LEGEND - PLAN	NEW	EXISTING	LEGEND - PLAN
—	NEW	—	LEGEND - PLAN	NEW	EXISTING	LEGEND - PLAN

LOCATION APPROVED
UNDERGROUND STRUCTURES

BM 33-006
ELEV 231.595m

DESIGNED BY JGK
CHECKED BY SBB

DRAWN BY DJH
APPROVED BY TGS

HOR. SCALE AS SHOWN
VERT. SCALE AS SHOWN

DATE 09/06/04

REVISIONS

© 2009 AECOM Canada Ltd. All Rights Reserved. This document is protected by copyright law and may not be used, reproduced or modified in any manner or for any purpose without the written permission of AECOM Canada Ltd. ("AECOM") or a party to which its copyright has been assigned. AECOM accepts no responsibility, and denies any liability whatsoever, to any party that uses, reproduces, modifies, or relies on this document without AECOM's express written consent.

PROFESSIONAL'S SEAL
PROVINCE OF MANITOBA
J.G. KENNEDY
Member
22328
JUL 8 2009
REGISTERED PROFESSIONAL ENGINEER

CONSULTANT DRAWING NO.
0265-410-00_01-CT1002_RX

THE CITY OF WINNIPEG
PUBLIC WORKS DEPARTMENT
TRANSPORTATION ENGINEERING DIVISION

MARION STREET
CROSSING OF DUGALD DRAIN REPLACEMENT
CROSS SECTIONS & DETAILS

CITY DRAWING NUMBER
P-3312-02

SHEET 2 OF 6

DRAWING No. 02
REV 0

AECOM

DESIGNED BY JGK
CHECKED BY SBB

DRAWN BY DJH
APPROVED BY TGS

HOR. SCALE AS SHOWN
VERT. SCALE AS SHOWN

DATE 09/06/04

REVISIONS

PROFESSIONAL'S SEAL
PROVINCE OF MANITOBA
J.G. KENNEDY
Member
22328
JUL 8 2009
REGISTERED PROFESSIONAL ENGINEER

CONSULTANT DRAWING NO.
0265-410-00_01-CT1002_RX