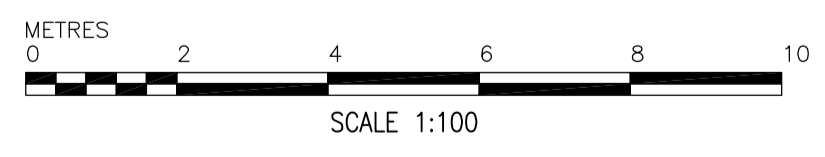
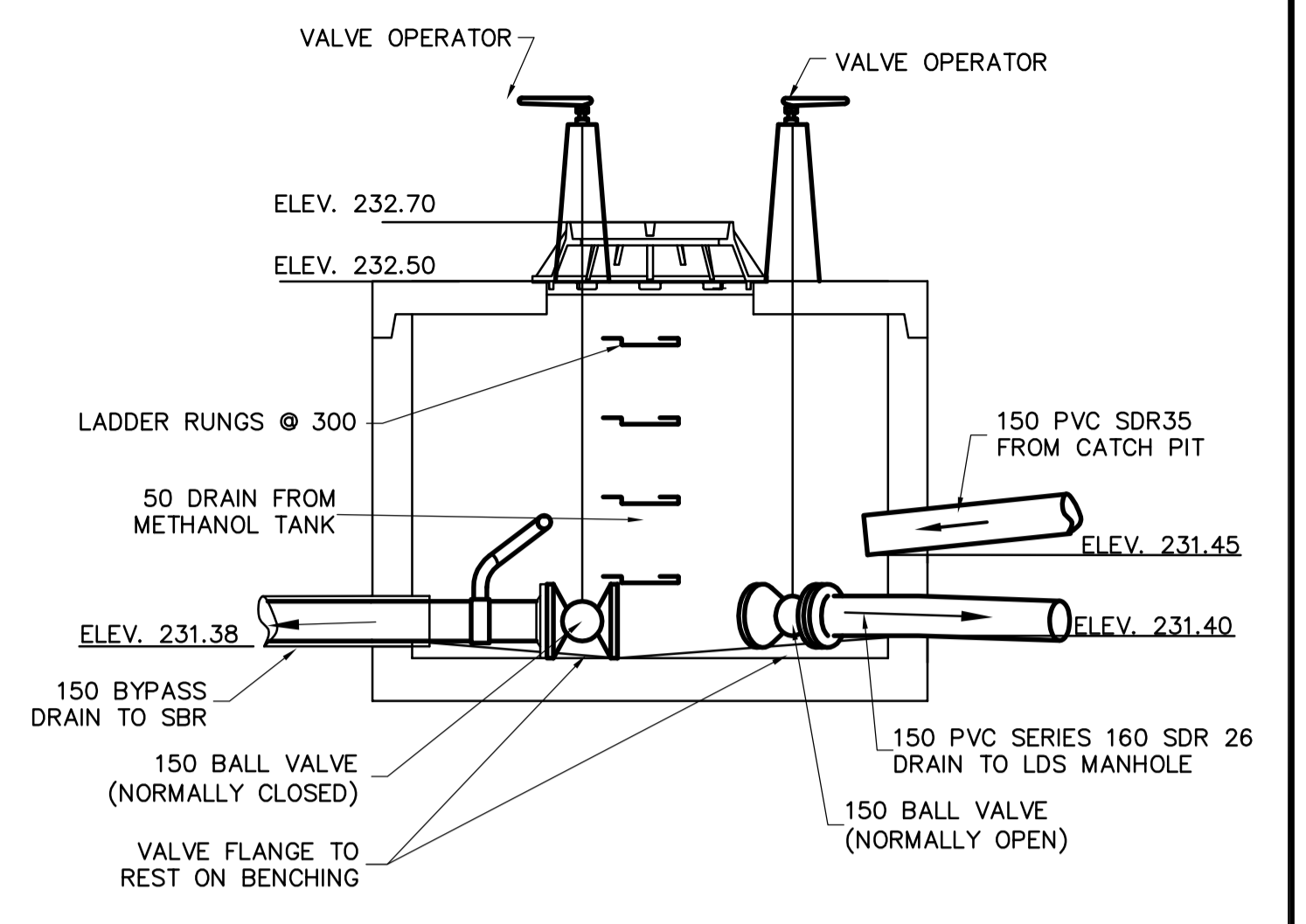


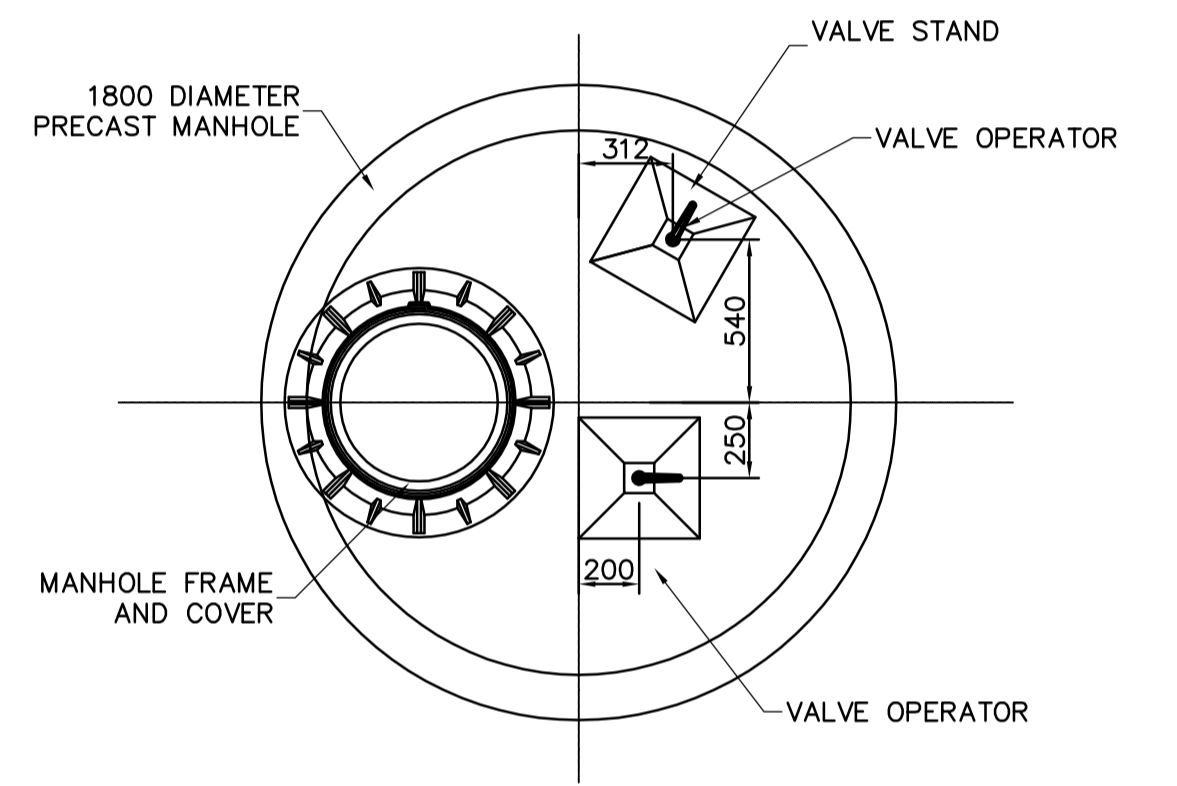
1 PLAN
C2.02 SCALE 1:100



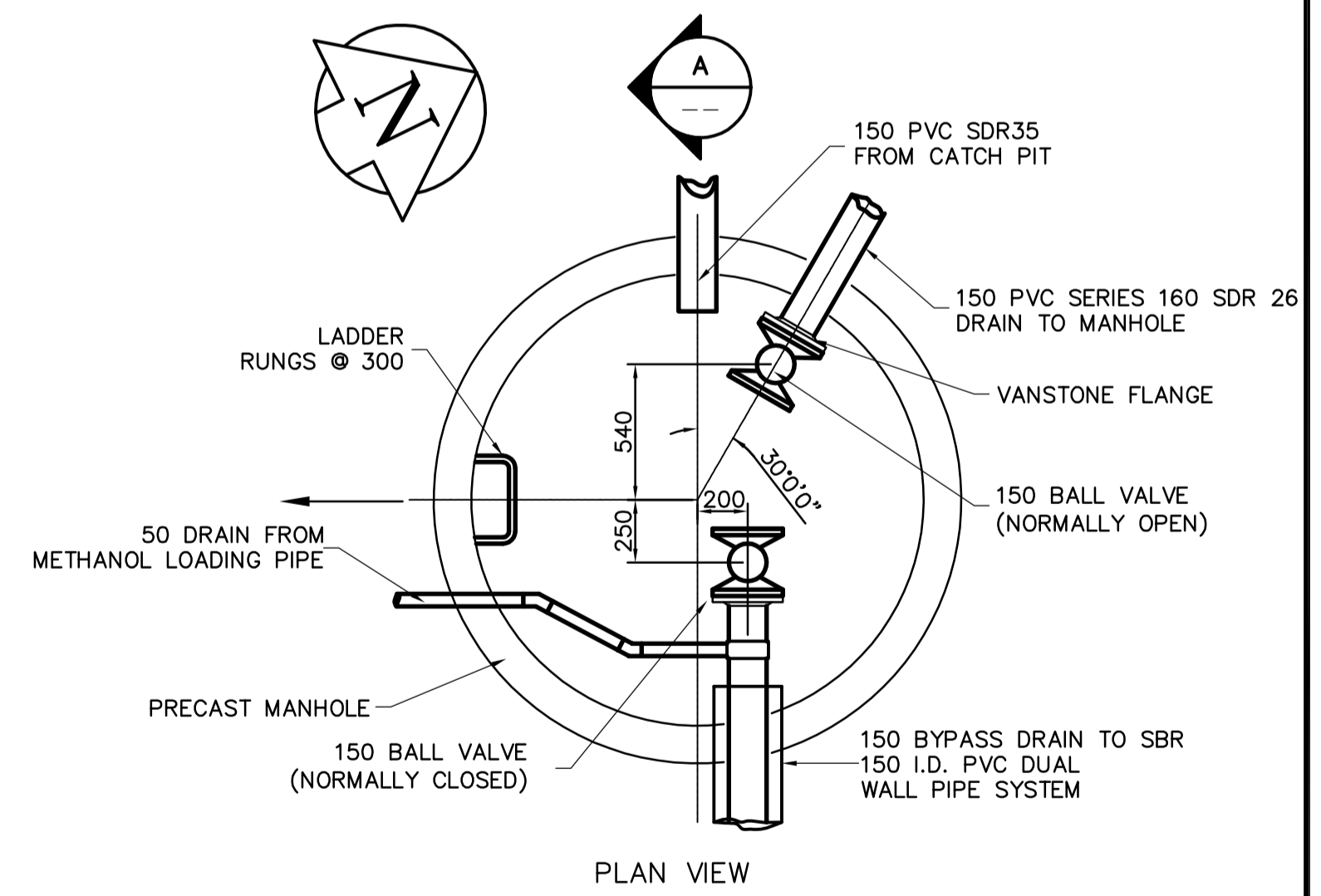
- CONSTRUCTION NOTES:
1. ALL WORK AND MATERIALS SHALL CONFORM TO THE CITY OF WINNIPEG STANDARD CONSTRUCTION SPECIFICATIONS.
 2. RESTORE ALL SURFACES TO A CONDITION EQUAL TO OR BETTER THAN ORIGINAL CONDITION.



A SECTION
SCALE 1:25



ROOF PLAN
SCALE 1:25



1 VALVE CHAMBER
SCALE 1:25

INFORMATION ONLY

150mm WM	WATERMAIN	150mm WM	HYDRO	M.T.S.	LIGHT STANDARD
◇	HYDRANT	+	---	---	BOLLARD
⊙	VALVE	⊙	---	---	FIRE EXTINGUISHER
⊙	LAND DRAINAGE SEWER	⊙	---	---	CURB STOP
⊙	WASTEWATER SEWER	⊙	---	---	TREATED CENTRATE
○	MANHOLE	●	---	---	RAS
□	CATCH BASIN	●	---	---	WAS
▽	CURB INLET	●	---	---	FW
+	JUNCTIONS	●	---	---	CENTRATE
---	CULVERT	---	---	---	---
---	GAS	---	---	---	---
---	EXISTING	---	---	---	---
---	LEGEND - PLAN	---	---	---	---
---	PROPOSED	---	---	---	---
---	EXISTING	---	---	---	---
---	LEGEND - PLAN	---	---	---	---
---	PROPOSED	---	---	---	---

APEGM
Certificate of Authorization
Earth Tech Canada Inc.
No. 730 Expiry: April 30, 2007

13-027	W. side Main St. on the grounds of the North End B.M. Treatment Plant, Tblt. on top of Conc. pit in front of ELEV. bldg., 22.3m E. of line of most Ely. wall & 32.8m S. of most Nly. wall of main bldg. (ties to 101.) ELEV. = 231.261m	07/09/18	LAE
01	ISSUED FOR CONSTRUCTION	06/08/30	GLG
00	ISSUED FOR TENDER	06/05/15	FC
NO.	REVISIONS	DATE	BY

EarthTech
A Tyco International Ltd. Company

DESIGNED BY	GSK	CHECKED BY	KWF
DRAWN BY	FC	APPROVED BY	JEH
SCALE:	1:100	RELEASED FOR CONSTRUCTION BY:	K. MARTENS
DATE	2006/01/16	DATE	2006/05/15

ENGINEER'S SEAL
ORIGINAL SIGNED BY
K.W. FITCHETT
2006/05/15
CONSULTANT DRAWING NO.
C2.02

THE CITY OF WINNIPEG
WATER AND WASTE DEPARTMENT
ENGINEERING DIVISION

NEWPC CENTRATE NUTRIENT TREATMENT
NITROGEN REMOVAL FACILITY

CIVIL
PART PLAN AND DETAILS
CHEMICAL UNLOADING AREAS

CITY FILE NUMBER
SHEET OF
CITY DRAWING NUMBER
1-0101C-D-C0004-001-02D