

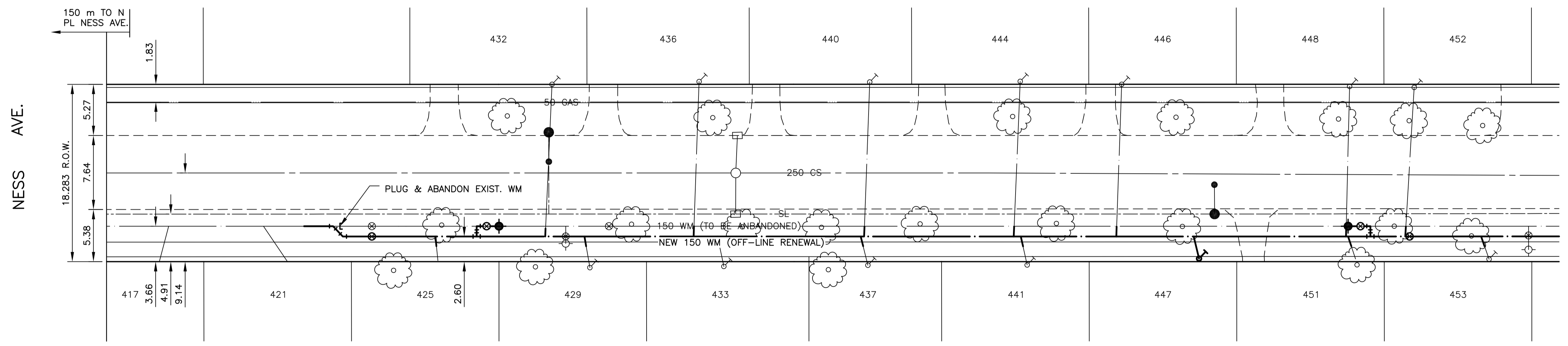
EXISTING WATER SERVICE LOCATION RECORDS				
ADDRESS	SIZE/TYPE	SHORT/LONG	CORP. LOCATION	COMMENTS
421 WINCHESTER	20 COPPER	6.6 S/NPL	31.2 S OF 3RD HYD N OF NESS	
425 WINCHESTER	20 COPPER	6.6 S/NPL	NO RECORD	
429 WINCHESTER	20 COPPER	4.4 S/NPL	NO RECORD	
432 WINCHESTER	20 COPPER	2.1 S/NPL	NO RECORD	
433 WINCHESTER	20 COPPER	5.9 S/NPL	NO RECORD	
436 WINCHESTER	20 COPPER	3.7 S/NPL	NO RECORD	
437 WINCHESTER	20 COPPER	5.8 S/NPL	NO RECORD	
440 WINCHESTER	20 COPPER	2.9 S/NPL	NO RECORD	

* - INFORMATION FROM EXISTING SERVICE RECORDS

EXISTING WATER SERVICE LOCATION RECORDS				
ADDRESS	SIZE/TYPE	SHORT/LONG	CORP. LOCATION	COMMENTS
441 WINCHESTER	20 COPPER	4.0 S/NPL	NO RECORD	
444 WINCHESTER	20 COPPER	6.0 N/SPL	NO RECORD	
* 446 WINCHESTER	20 COPPER	3.4 N/SPL	NO RECORD	
447 WINCHESTER	13 LEAD	2.1 S/NHL	NO RECORD	
448 WINCHESTER	20 COPPER	1.2 S/NPL	NO RECORD	
451 WINCHESTER	20 COPPER	2.1 S/NHL	NO RECORD	
452 WINCHESTER	20 COPPER	2.1 N/SHL	OPP CS	
453 WINCHESTER	20 COPPER	2.4 N/SHL	4.9 S HYD OPP HSE #453	

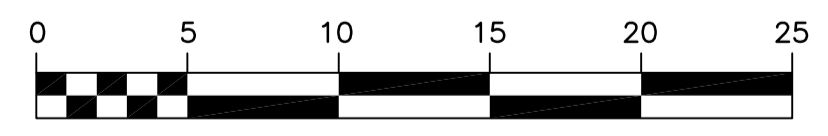
* - INFORMATION FROM EXISTING SERVICE RECORDS

NOTE: CHAINAGES SHOWN ARE ALONG EAST PL ON WINCHESTER ST.



EXISTING SEWER SERVICE LOCATION RECORDS		
ADDRESS	SIZE/TYPE	SERVICE LOCATION AT PL
NO RECORD	NO RECORD	NO RECORD

WINCHESTER STREET



- CONSTRUCTION NOTES:**
1. EXPOSE EXISTING WATERMAIN & CONFIRM INVERTS PRIOR TO CONSTRUCTION.
 2. CONFIRM LOCATION OF ALL SERVICES IN THE FIELD.
 3. INSTALL WATERMAIN BY TRENCHLESS METHODS.
 4. TRENCHES & EXCAVATIONS WITHIN 1 METRE OF A PAVED AREA INCLUDING SIDEWALKS SHALL BE CLASS 3 BACKFILL.
 5. ALL MATERIALS SHALL CONFORM TO THE CITY OF WINNIPEG STANDARD CONSTRUCTION SPECIFICATIONS.
 6. MINIMUM COVER TO TOP OF WATERMAIN SHALL BE 2.4 m.
 7. REPLACE ALL EXISTING LEAD SERVICES FROM PROPOSED WATERMAIN TO PL.
 8. NOTIFY ALL RESIDENTS AND BUSINESSES 24 HOURS IN ADVANCE OF ANY WATER SHUTDOWNS OR DISRUPTION OF SERVICE.

WARNING

- IF POWER EQUIPMENT OR EXPLOSIVES ARE TO BE USED FOR EXCAVATION ON THIS PROJECT THE CONTRACTOR MUST:
1. NOTIFY THE GAS COMPANY OF THE PROPOSED LOCATION OF EXCAVATION.
 2. TAKE PRECAUTION TO AVOID DAMAGE TO GAS COMPANY INSTALLATIONS SEE PROVINCIAL REGULATION 210/72 FOR DETAILS

METRIC

WHOLE NUMBERS INDICATE MILLIMETRES
DECIMALIZED NUMBERS INDICATE METRES

<table border="1"> <tr> <td>150 mm W.M.</td> <td>WATERMAIN</td> <td>150 mm W.M.</td> <td>HYDRANT</td> <td>150 mm W.M.</td> <td>WATERMAIN</td> <td>150 mm W.M.</td> <td>WATERMAIN</td> </tr> <tr> <td>Hydrant symbol</td> <td>HYDRANT</td> <td>Valve symbol</td> <td>VALVE</td> <td>Hydrant symbol</td> <td>HYDRANT</td> <td>Valve symbol</td> <td>VALVE</td> </tr> <tr> <td>300 mm L.D.S.</td> <td>LAND DRAINAGE SEWER</td> <td>300 mm L.D.S.</td> <td>LAND DRAINAGE SEWER</td> <td>300 mm L.D.S.</td> <td>LAND DRAINAGE SEWER</td> <td>300 mm L.D.S.</td> <td>LAND DRAINAGE SEWER</td> </tr> <tr> <td>250 mm W.W.S.</td> <td>WASTE WATER SEWER</td> <td>250 mm W.W.S.</td> <td>WASTE WATER SEWER</td> <td>250 mm W.W.S.</td> <td>WASTE WATER SEWER</td> <td>250 mm W.W.S.</td> <td>WASTE WATER SEWER</td> </tr> <tr> <td>Manhole symbol</td> <td>MANHOLE</td> <td>Survey bar symbol</td> <td>SURVEY BAR</td> <td>North/West gutter symbol</td> <td>NORTH/WEST GUTTER</td> <td>South/East gutter symbol</td> <td>SOUTH/EAST GUTTER</td> </tr> <tr> <td>Catch basin symbol</td> <td>CATCH BASIN</td> <td>Service valve symbol</td> <td>SERVICE VALVE</td> <td>Light standard symbol</td> <td>LIGHT STANDARD</td> <td>Fence symbol</td> <td>FENCE</td> </tr> <tr> <td>Curb inlet symbol</td> <td>CURB INLET</td> <td>Tree symbol</td> <td>TREE</td> <td>Guy anchor symbol</td> <td>GUY ANCHOR</td> <td>Proposed existing symbol</td> <td>PROPOSED EXISTING</td> </tr> <tr> <td>Junctions symbol</td> <td>JUNCTIONS</td> <td>Legend-plan symbol</td> <td>LEGEND-PLAN</td> <td>Proposed existing symbol</td> <td>PROPOSED EXISTING</td> <td>Legend-profile symbol</td> <td>LEGEND-PROFILE</td> </tr> <tr> <td>Culvert symbol</td> <td>CULVERT</td> <td>Proposed existing symbol</td> <td>PROPOSED EXISTING</td> <td>Legend-profile symbol</td> <td>LEGEND-PROFILE</td> <td>Proposed existing symbol</td> <td>PROPOSED EXISTING</td> </tr> <tr> <td>Gas symbol</td> <td>GAS</td> <td>Proposed existing symbol</td> <td>PROPOSED EXISTING</td> <td>Legend-profile symbol</td> <td>LEGEND-PROFILE</td> <td>Proposed existing symbol</td> <td>PROPOSED EXISTING</td> </tr> </table>	150 mm W.M.	WATERMAIN	150 mm W.M.	HYDRANT	150 mm W.M.	WATERMAIN	150 mm W.M.	WATERMAIN	Hydrant symbol	HYDRANT	Valve symbol	VALVE	Hydrant symbol	HYDRANT	Valve symbol	VALVE	300 mm L.D.S.	LAND DRAINAGE SEWER	300 mm L.D.S.	LAND DRAINAGE SEWER	300 mm L.D.S.	LAND DRAINAGE SEWER	300 mm L.D.S.	LAND DRAINAGE SEWER	250 mm W.W.S.	WASTE WATER SEWER	250 mm W.W.S.	WASTE WATER SEWER	250 mm W.W.S.	WASTE WATER SEWER	250 mm W.W.S.	WASTE WATER SEWER	Manhole symbol	MANHOLE	Survey bar symbol	SURVEY BAR	North/West gutter symbol	NORTH/WEST GUTTER	South/East gutter symbol	SOUTH/EAST GUTTER	Catch basin symbol	CATCH BASIN	Service valve symbol	SERVICE VALVE	Light standard symbol	LIGHT STANDARD	Fence symbol	FENCE	Curb inlet symbol	CURB INLET	Tree symbol	TREE	Guy anchor symbol	GUY ANCHOR	Proposed existing symbol	PROPOSED EXISTING	Junctions symbol	JUNCTIONS	Legend-plan symbol	LEGEND-PLAN	Proposed existing symbol	PROPOSED EXISTING	Legend-profile symbol	LEGEND-PROFILE	Culvert symbol	CULVERT	Proposed existing symbol	PROPOSED EXISTING	Legend-profile symbol	LEGEND-PROFILE	Proposed existing symbol	PROPOSED EXISTING	Gas symbol	GAS	Proposed existing symbol	PROPOSED EXISTING	Legend-profile symbol	LEGEND-PROFILE	Proposed existing symbol	PROPOSED EXISTING	<p>DESIGNED BY: C.L.P.</p> <p>DRAWN BY: C.L.P.</p> <p>CHECKED BY: S.C.C.</p> <p>APPROVED BY: ORIGINAL SIGNED BY D.P.K.</p> <p>DATE: JULY 21, 2008</p>	<p>REVISIONS:</p> <table border="1"> <tr> <td>3</td> <td>RE-ISSUED FOR CLIENT REVIEW</td> <td>05-15-09</td> <td>S.C.C.</td> </tr> <tr> <td>2</td> <td>ISSUED FOR TENDER</td> <td>08-05-08</td> <td>S.C.C.</td> </tr> <tr> <td>1</td> <td>ISSUED FOR FINAL REVIEW</td> <td>07-22-08</td> <td>S.C.C.</td> </tr> </table>	3	RE-ISSUED FOR CLIENT REVIEW	05-15-09	S.C.C.	2	ISSUED FOR TENDER	08-05-08	S.C.C.	1	ISSUED FOR FINAL REVIEW	07-22-08	S.C.C.	<p>B.M. ELEV.</p>	<p>UNDERGROUND STRUCTURES</p> <p>SUPV. U/G STRUCTURES COMMITTEE DATE</p> <p>NOTE: LOCATION OF UNDERGROUND STRUCTURES AS SHOWN ARE BASED ON THE BEST INFORMATION AVAILABLE. BUT NO GUARANTEE IS GIVEN THAT ALL EXISTING UTILITIES ARE SHOWN OR THAT THE GIVEN LOCATIONS ARE EXACT. CONFIRMATION OF EXISTENCE AND EXACT LOCATION OF ALL SERVICES MUST BE OBTAINED FROM THE INDIVIDUAL UTILITIES BEFORE PROCEEDING WITH CONSTRUCTION.</p>	<p>ENGINEER'S SEAL</p> <p>PROVINCE OF MANITOBA</p> <p>D.P. KRAHN</p> <p>Member 4226</p> <p>REGISTERED PROFESSIONAL ENGINEER</p>	<p>THE CITY OF WINNIPEG</p> <p>WATER AND WASTE DEPARTMENT</p> <p>2009 WATERMAIN RENEWALS CONTRACT 27</p> <p>WINCHESTER STREET</p> <p>220m S OF SILVER AV. TO SILVER AV.</p> <p>CONSULTANT PROJECT NO. 091967</p>	<p>CITY DRAWING NUMBER D-11474</p> <p>SHEET 3 OF 4</p> <p>BID OPPORTUNITY 428-2009</p>
150 mm W.M.	WATERMAIN	150 mm W.M.	HYDRANT	150 mm W.M.	WATERMAIN	150 mm W.M.	WATERMAIN																																																																																												
Hydrant symbol	HYDRANT	Valve symbol	VALVE	Hydrant symbol	HYDRANT	Valve symbol	VALVE																																																																																												
300 mm L.D.S.	LAND DRAINAGE SEWER	300 mm L.D.S.	LAND DRAINAGE SEWER	300 mm L.D.S.	LAND DRAINAGE SEWER	300 mm L.D.S.	LAND DRAINAGE SEWER																																																																																												
250 mm W.W.S.	WASTE WATER SEWER	250 mm W.W.S.	WASTE WATER SEWER	250 mm W.W.S.	WASTE WATER SEWER	250 mm W.W.S.	WASTE WATER SEWER																																																																																												
Manhole symbol	MANHOLE	Survey bar symbol	SURVEY BAR	North/West gutter symbol	NORTH/WEST GUTTER	South/East gutter symbol	SOUTH/EAST GUTTER																																																																																												
Catch basin symbol	CATCH BASIN	Service valve symbol	SERVICE VALVE	Light standard symbol	LIGHT STANDARD	Fence symbol	FENCE																																																																																												
Curb inlet symbol	CURB INLET	Tree symbol	TREE	Guy anchor symbol	GUY ANCHOR	Proposed existing symbol	PROPOSED EXISTING																																																																																												
Junctions symbol	JUNCTIONS	Legend-plan symbol	LEGEND-PLAN	Proposed existing symbol	PROPOSED EXISTING	Legend-profile symbol	LEGEND-PROFILE																																																																																												
Culvert symbol	CULVERT	Proposed existing symbol	PROPOSED EXISTING	Legend-profile symbol	LEGEND-PROFILE	Proposed existing symbol	PROPOSED EXISTING																																																																																												
Gas symbol	GAS	Proposed existing symbol	PROPOSED EXISTING	Legend-profile symbol	LEGEND-PROFILE	Proposed existing symbol	PROPOSED EXISTING																																																																																												
3	RE-ISSUED FOR CLIENT REVIEW	05-15-09	S.C.C.																																																																																																
2	ISSUED FOR TENDER	08-05-08	S.C.C.																																																																																																
1	ISSUED FOR FINAL REVIEW	07-22-08	S.C.C.																																																																																																