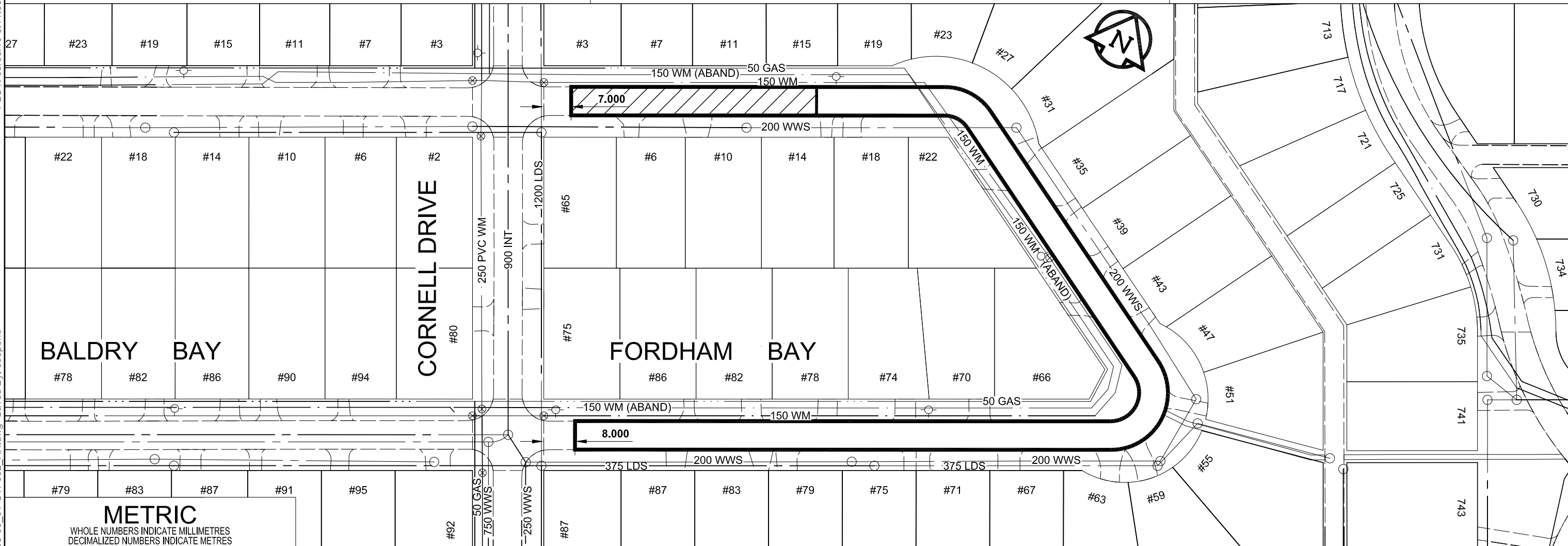
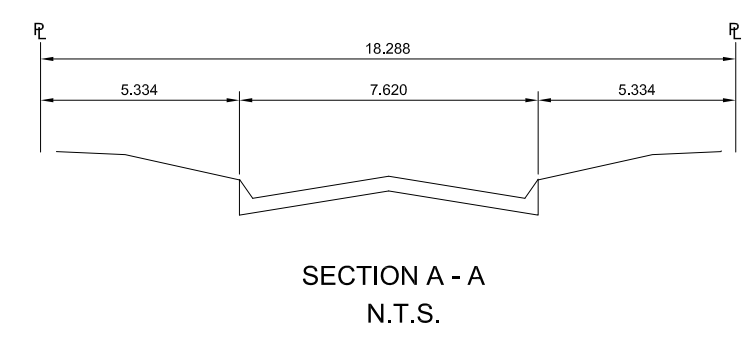


B SIZE 11" x 17" (279.4mm x 431.8mm)  
 PLOT: 09/03/16 3:11:38 PM  
 UJA FILE NAME: 0265-408-00\_01-CTF002\_RX.dwg Saved By: cooperkl

**BID OPPORTUNITY No.: 041-2009**

**FILE No.: 09-R-06**

Type of Work: Concrete Rehabilitation and Asphalt Overlay



**METRIC**  
 WHOLE NUMBERS INDICATE MILLIMETRES  
 DECIMALIZED NUMBERS INDICATE METRES

- CONCRETE REHABILITATION AND ASPHALT OVERLAY LIMIT
- CONCRETE RENEWAL LIMIT

**AECOM**

© 2009 AECOM Canada Ltd. All Rights Reserved. This document is protected by copyright law and may not be used, reproduced or modified in any manner or for any purpose except with the written permission of AECOM Canada Ltd. ("AECOM") or a party to which its copyright has been assigned. AECOM accepts no responsibility, and denies any liability whatsoever, to any party that uses, reproduces, modifies, or relies on this document without AECOM's express written consent.

**THE CITY OF WINNIPEG**  
 PUBLIC WORKS DEPARTMENT  
 ENGINEERING DIVISION  
 TECHNOLOGY SERVICES BRANCH  
 106 - 1155 PACIFIC AVE

DATE: 09/03/13  
 DRAWN BY: KLC

DRAWING NO.: 01-CTF002  
 SCALE: 1:1000

**2009 RESIDENTIAL STREET RENEWAL ON FORDHAM BAY FROM: CORNELL DRIVE TO: CORNELL DRIVE**