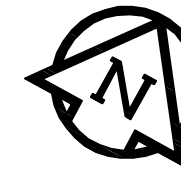


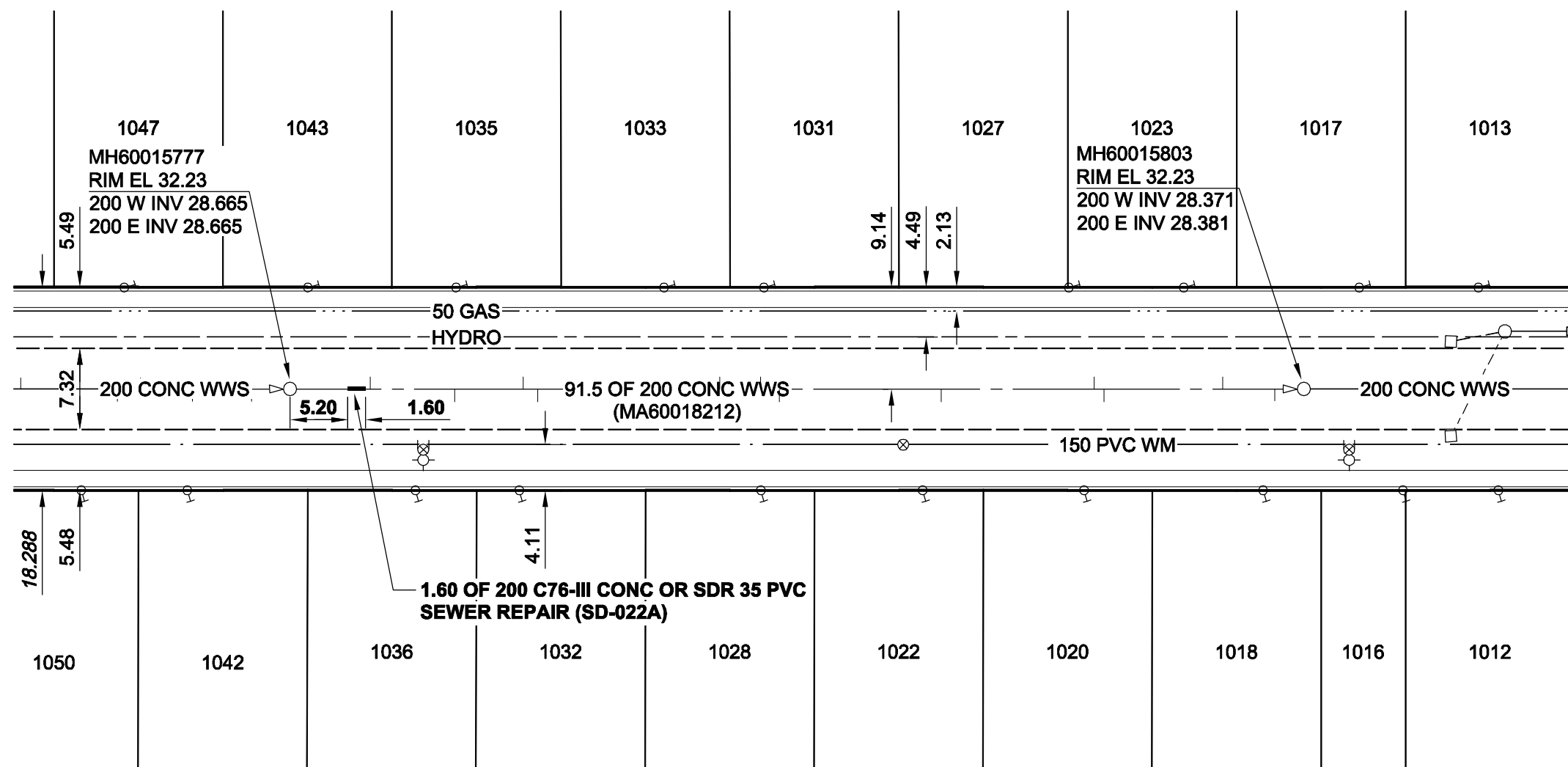
B SIZE 11" x 17" (279mm x 432mm)

PLOT: 7/30/2009 2:40:06 PM

FILE NAME: D265-244-02_01-C-1006_RX.dwg Saved By: berarok



BOSTON AVENUE



SEWER JUNCTION INFORMATION*

REF. MH	DIST FROM REF. MH	SIZE	CLOCK AT
MH60015803	2.60	100Ø	10
MH60015803	7.30	100Ø	02
MH60015803	18.00	100Ø	10
MH60015803	18.90	100Ø	02
MH60015803	32.70	100Ø	10
MH60015803	47.30	100Ø	10
MH60015803	49.00	100Ø	02
MH60015803	52.70	100Ø	02
MH60015803	69.10	100Ø	10
MH60015803	70.40	100Ø	03
MH60015803	76.60	100Ø	10
MH60015803	84.20	100Ø	03

*JUNCTION INFORMATION FROM VIDEO INSPECTION

- CONSTRUCTION NOTES:**
1. CONTRACTOR TO VERIFY LIMITS OF SEWER REPAIRS PRIOR TO EXCAVATION BY MEANS OF VIDEO INSPECTION.
 2. CONTRACTOR TO PROVIDE VIDEO INSPECTION OF SEWER SERVICES WITHIN LIMITS OF REPAIR IN PRESENCE OF CONTRACT ADMINISTRATOR TO DETERMINE IF SERVICE RENEWAL IS REQUIRED.
 3. ALL BACKFILL TO BE CLASS 5 BACKFILL UNDER BOULEVARDS AND CLASS 3 UNDER OR WITHIN 1.0m OF PAVEMENTS AND SIDEWALKS.

WARNING

IF POWER EQUIPMENT OR EXPLOSIVES ARE TO BE USED FOR EXCAVATION ON THIS PROJECT, THE CONTRACTOR MUST:
 1) NOTIFY THE GAS COMPANY OF THE PROPOSED LOCATION OF EXCAVATION.
 2) TAKE PRECAUTION TO AVOID DAMAGE TO GAS COMPANY INSTALLATIONS.
 SEE PROVINCIAL REGULATION 140/92 FOR DETAILS

METRIC
 WHOLE NUMBERS INDICATE MILLIMETRES
 DECIMALIZED NUMBERS INDICATE METRES

AECOM
 Certificate of Authorization
 AECOM Canada Ltd.
 No. 4671 Date: 09/07/29

BID OPPORTUNITY NO. 374-2009

AECOM REVIEW DRFT CHK ADL

LOCATION APPROVED UNDERGROUND STRUCTURES

SUPR. U/G STRUCTURES	DATE

NOTE:
 LOCATION OF UNDERGROUND STRUCTURES AS SHOWN ARE BASED ON THE BEST INFORMATION AVAILABLE. BUT NO GUARANTEE IS GIVEN THAT ALL EXISTING UTILITIES ARE SHOWN OR THAT THE GIVEN LOCATIONS ARE EXACT. CONFIRMATION OF EXISTENCE AND EXACT LOCATION OF ALL SERVICES MUST BE OBTAINED FROM THE INDIVIDUAL UTILITIES BEFORE PROCEEDING WITH CONSTRUCTION.

NO.	REVISIONS	YY/MM/DD	BY
0	ISSUED FOR CONSTRUCTION	09/07/24	KMB

AECOM			
DESIGNED BY	PL	CHECKED BY	ALD
DRAWN BY	GDL	APPROVED BY	KWF
HOR. SCALE	1:500	RELEASED FOR CONSTRUCTION	KZ
VERT. SCALE	N/A	DATE	July 30/09
DATE	09/07/29	DATE	July 30/09

PROFESSIONAL'S SEAL
 ISSUED FOR CONSTRUCTION
 WAS SEALED BY
 K. W. FITCHETT
 AND DATED
 JULY 29/09
 CONSULTANT DRAWING NO.
 D265-244-02_01-C-1006_RX.dwg

THE CITY OF WINNIPEG
WATER AND WASTE DEPARTMENT

2009 WASTE WATER SEWER RENEWALS BY REPAIRS AND REPLACEMENTS CONTRACT 18

BOSTON AVENUE
 65m E OF HUDSON STREET
 TO 75m W OF PEMBINA HIGHWAY

SHEET 6 OF 35
 CITY DRAWING NUMBER
8876 REV 0