

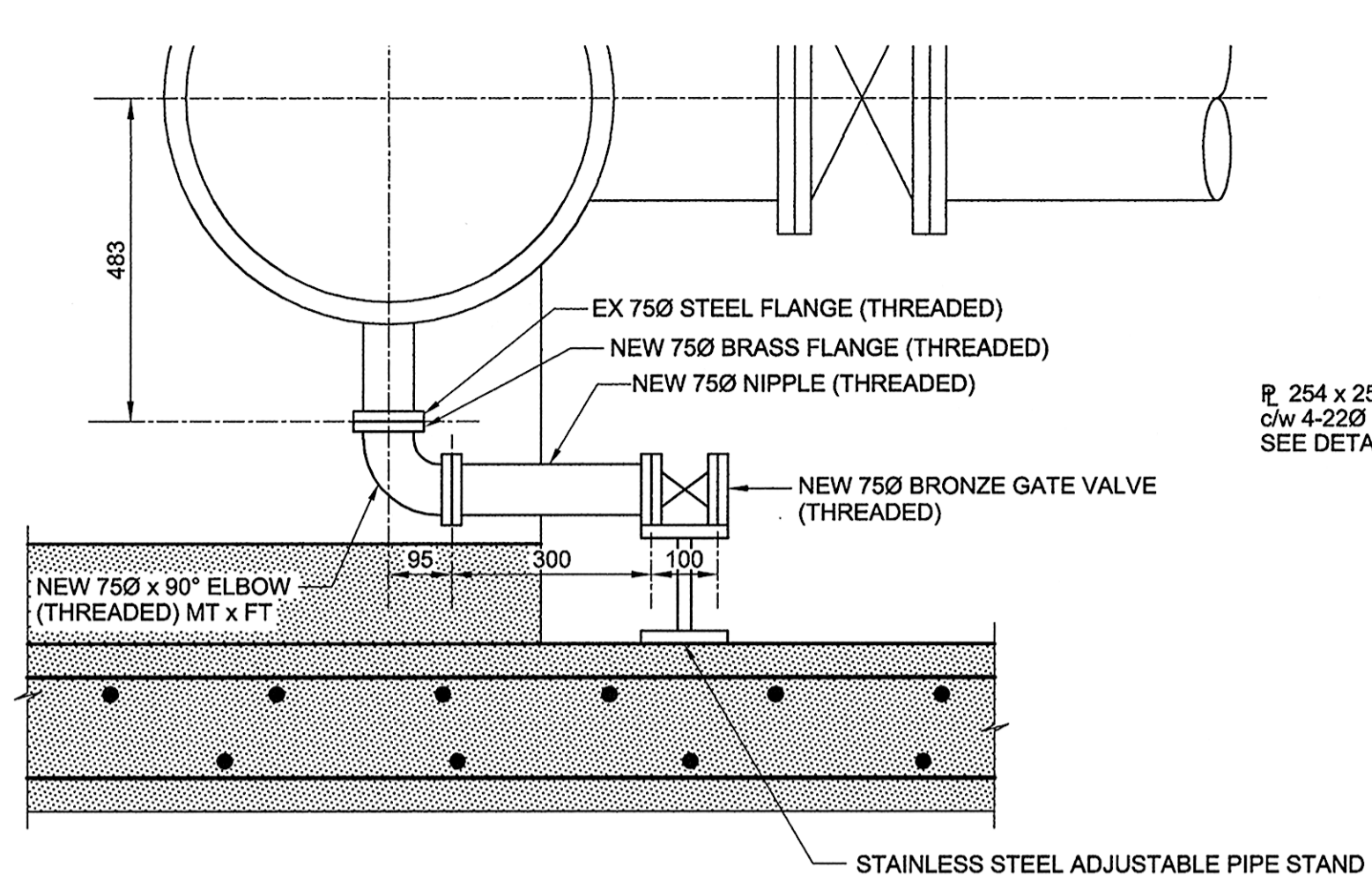
PLAN VIEW

SCALE 1:25
0 0.25 0.5 0.75 m

AIR RELEASE VALVE MANHOLE ELEVATIONS (m)

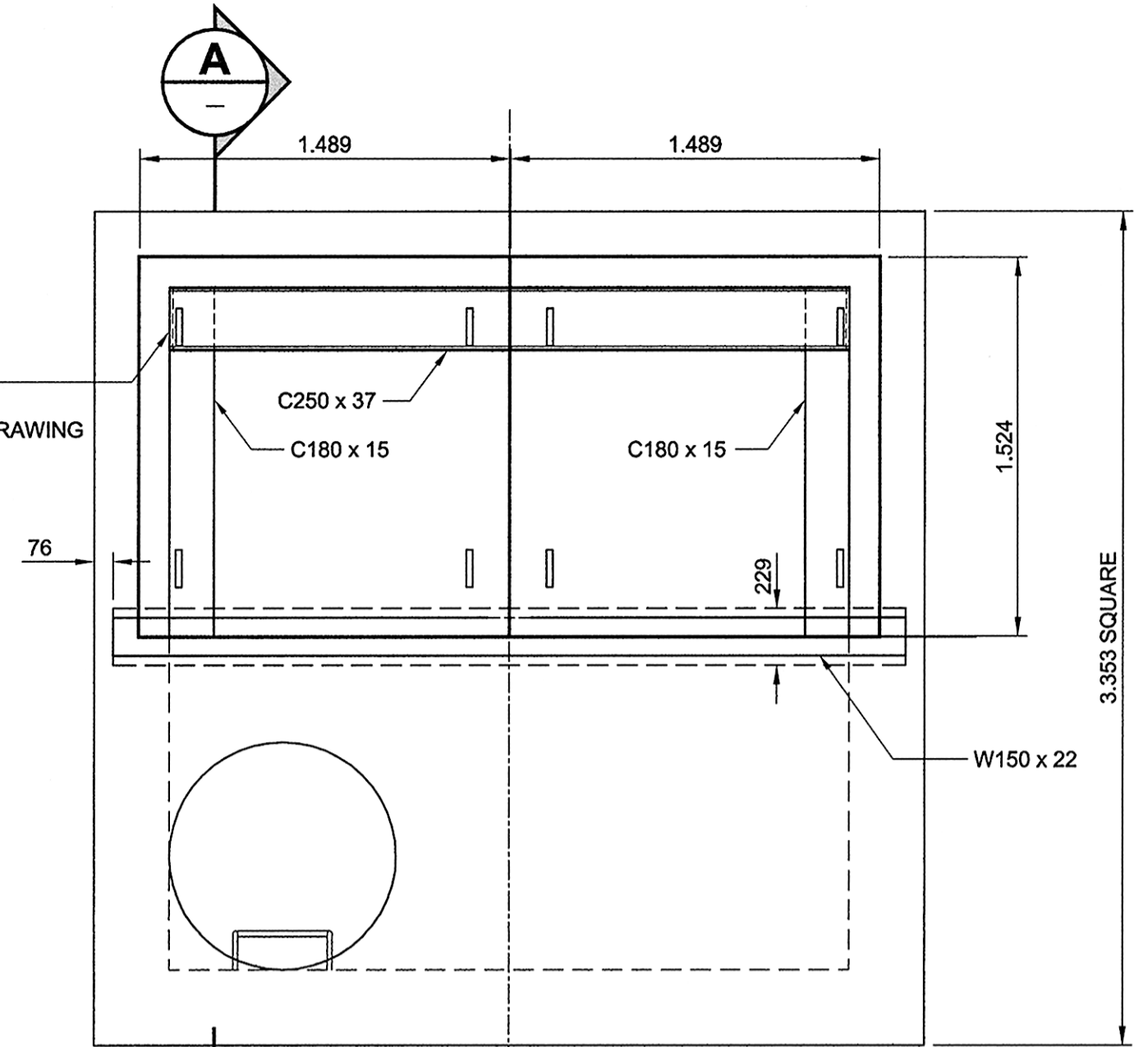
AIR RELEASE VALVE MANHOLE LOCATION	2+108.317 NMED	3+232.445 NMED
'A' - RIM ELEVATION	236.288	233.708
'B' - EX 600 FEEDERMAIN INVERT	232.87	230.45
'C' - BOTTOM ELEVATION	232.56	230.14
150 DRAIN INVERT @ SEWER	231.94	228.43
LENGTH OF 150 DRAIN TO SEWER	13.6	31.4

SECTION 2 LOCATIONS
INKSTER BOULEVARD 2+108.317 & 3+232.445



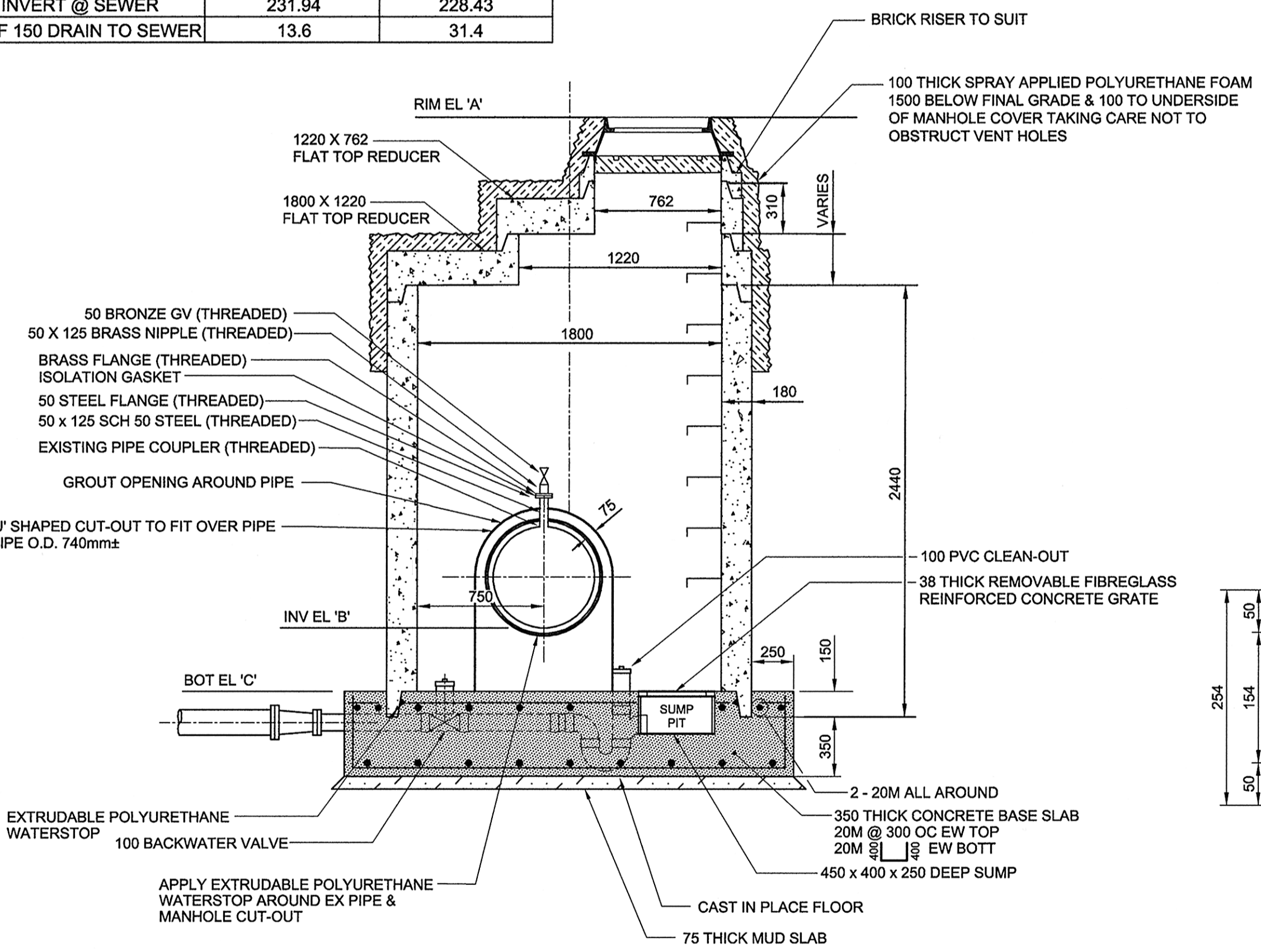
DRAIN REPLACEMENT DETAIL

SCALE 1:10
0 0.1 0.2 0.3 m
2 UNITS



EXISTING ROOF PLAN

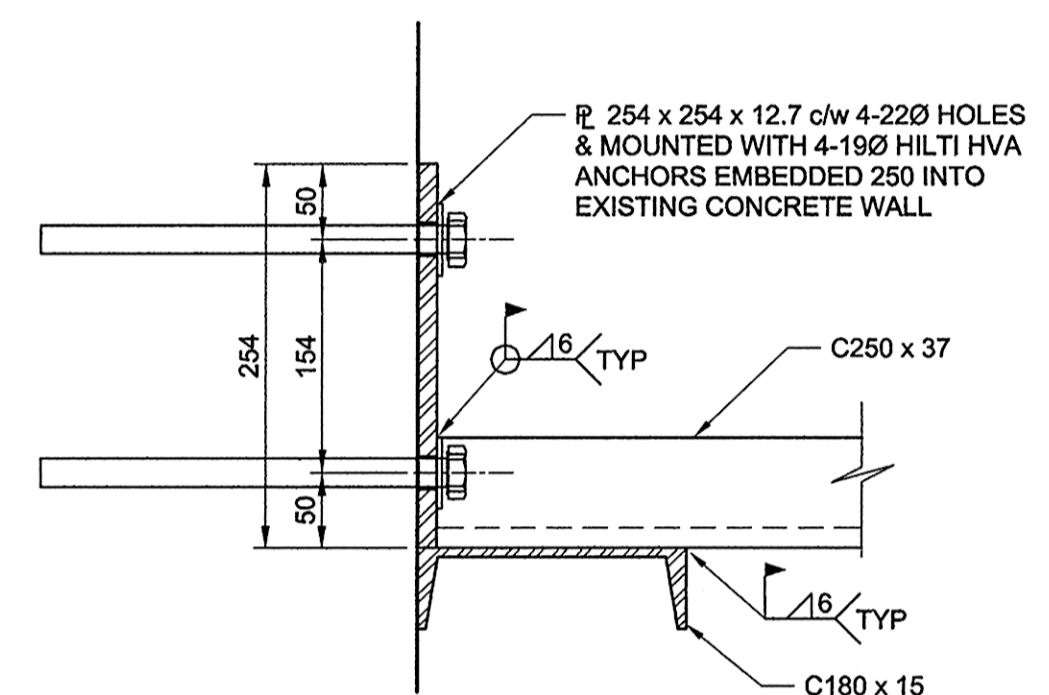
SCALE 1:25
0 0.25 0.5 0.75 m



NEW AIR RELEASE MANHOLE

SCALE 1:25
0 0.25 0.5 0.75 m

SECTION 2 LOCATIONS
INKSTER BOULEVARD 2+108.317 & 3+232.445



SECTION THRU ANCHOR PLATE

SCALE 1:5
0 0.05 0.1 0.15 m

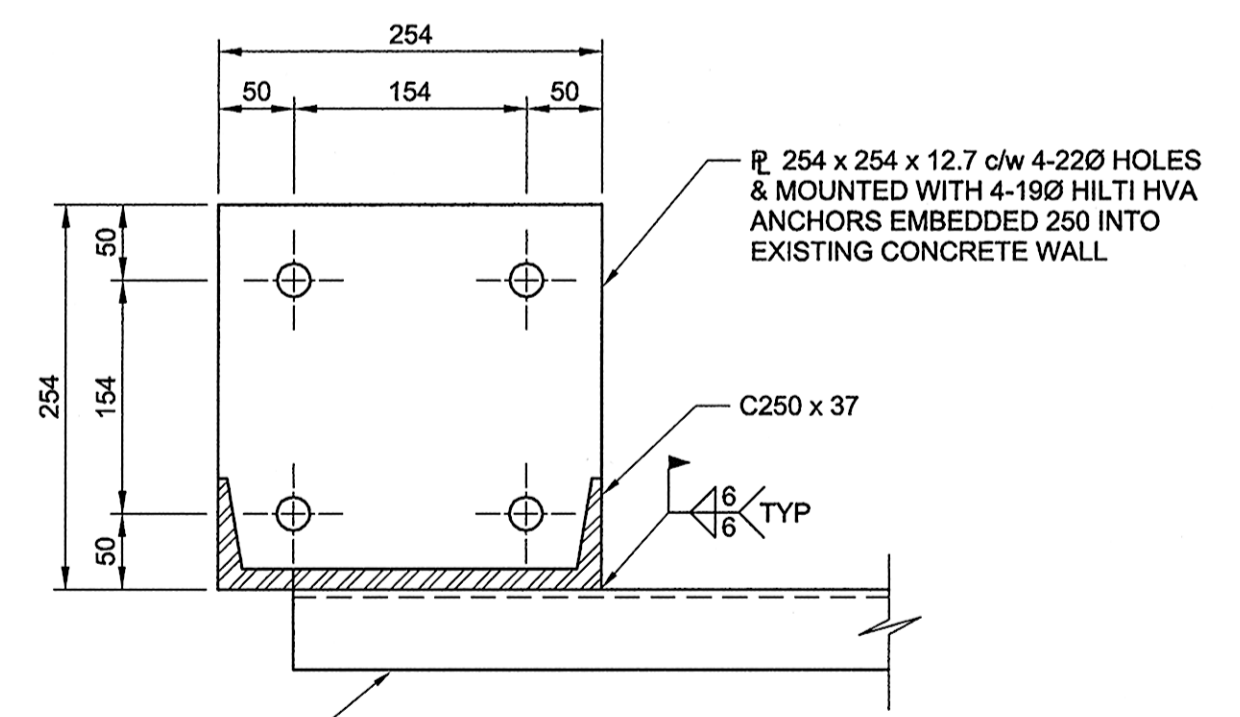


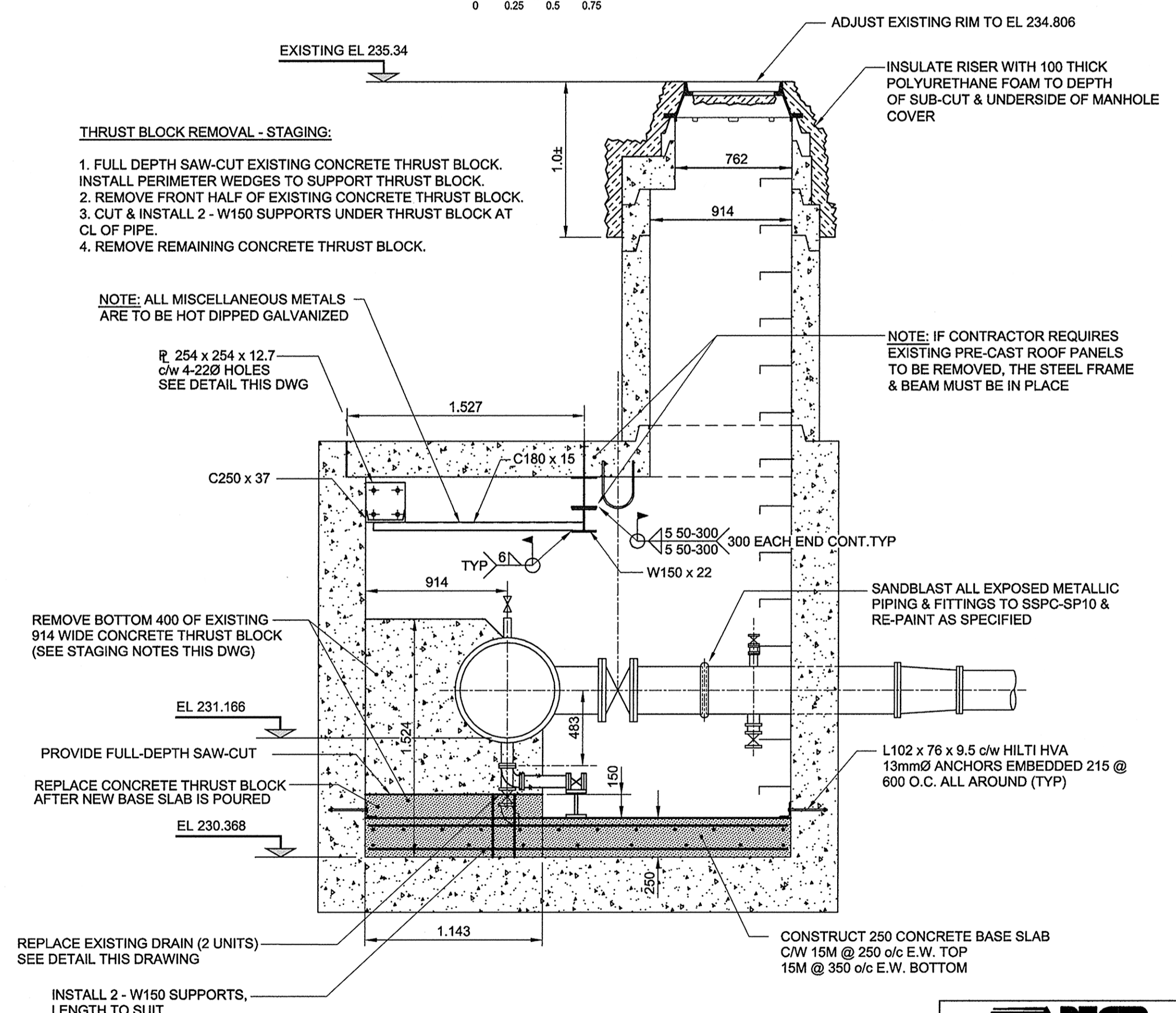
PLATE DETAIL

SCALE 1:5
0 0.05 0.1 0.15 m

THRUST BLOCK REMOVAL - STAGING:

1. FULL DEPTH SAW-CUT EXISTING CONCRETE THRUST BLOCK. INSTALL PERIMETER WEDGES TO SUPPORT THRUST BLOCK.
2. REMOVE FRONT HALF OF EXISTING CONCRETE THRUST BLOCK.
3. CUT & INSTALL 2 - W150 SUPPORTS UNDER THRUST BLOCK AT CL OF PIPE.
4. REMOVE REMAINING CONCRETE THRUST BLOCK.

NOTE: ALL MISCELLANEOUS METALS ARE TO BE HOT DIPPED GALVANIZED



EXISTING FEEDERMAIN OFF-TAKE CHAMBER

SCALE 1:25
0 0.25 0.5 0.75 m

SECTION 'A'
STATION 2+430.843 NORTH MEDIAN CONTROL LINE

METRIC
WHOLE NUMBERS INDICATE MILLIMETRES
DECIMALIZED NUMBERS INDICATE METRES

APEGM
Certificate of Authorization
AECOM Canada Ltd.
No. 4671 Date: 09/07/15
BID OPPORTUNITY NO. 368-2009

LOCATION APPROVED UNDERGROUND STRUCTURES

SUPR. U/G STRUCTURES COMMITTEE	DATE

NOTE: LOCATION OF UNDERGROUND STRUCTURES AS SHOWN ARE BASED ON THE BEST INFORMATION AVAILABLE. BUT NO GUARANTEE IS GIVEN THAT ALL EXISTING UTILITIES ARE SHOWN OR THAT THE GIVEN LOCATIONS ARE EXACT. CONFIRMATION OF EXISTENCE AND EXACT LOCATION OF ALL SERVICES MUST BE OBTAINED FROM THE INDIVIDUAL UTILITIES BEFORE PROCEEDING WITH CONSTRUCTION.

NO.	REVISIONS	DATE	BY
0	ISSUED FOR CONSTRUCTION	09/07/15	WJD

AECOM

DESIGNED BY	CHECKED BY
MGM	SBB
DRAWN BY	APPROVED BY
WJD	TGS
HOR. SCALE	RELEASED FOR CONSTRUCTION
1:500	<i>[Signature]</i>
VERT. SCALE	DATE
1:50	July 15, 2009

PROFESSIONAL'S SEAL
PROVINCE OF MANITOBA
S.B. BISWANGER
0907/15
REGISTERED PROFESSIONAL ENGINEER
CONSULTANT DRAWING NO.
0265-411-00_01-C-4002_RX.dwg

THE CITY OF WINNIPEG
PUBLIC WORKS DEPARTMENT
ENGINEERING DIVISION

INKSTER BOULEVARD WIDENING PROJECT
BROOKSIDE BOULEVARD TO KEEWATIN STREET

NEW AIR RELEASE MANHOLES & MODIFICATIONS TO THE EXISTING FEEDERMAIN OFF-TAKE CHAMBER

CITY DRAWING NUMBER P-3301-27	DRAWING No. 27
SHEET 27 OF 31	REV 0