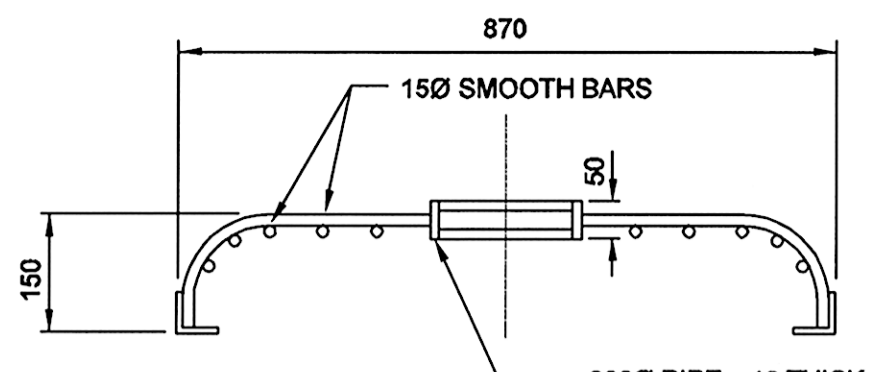


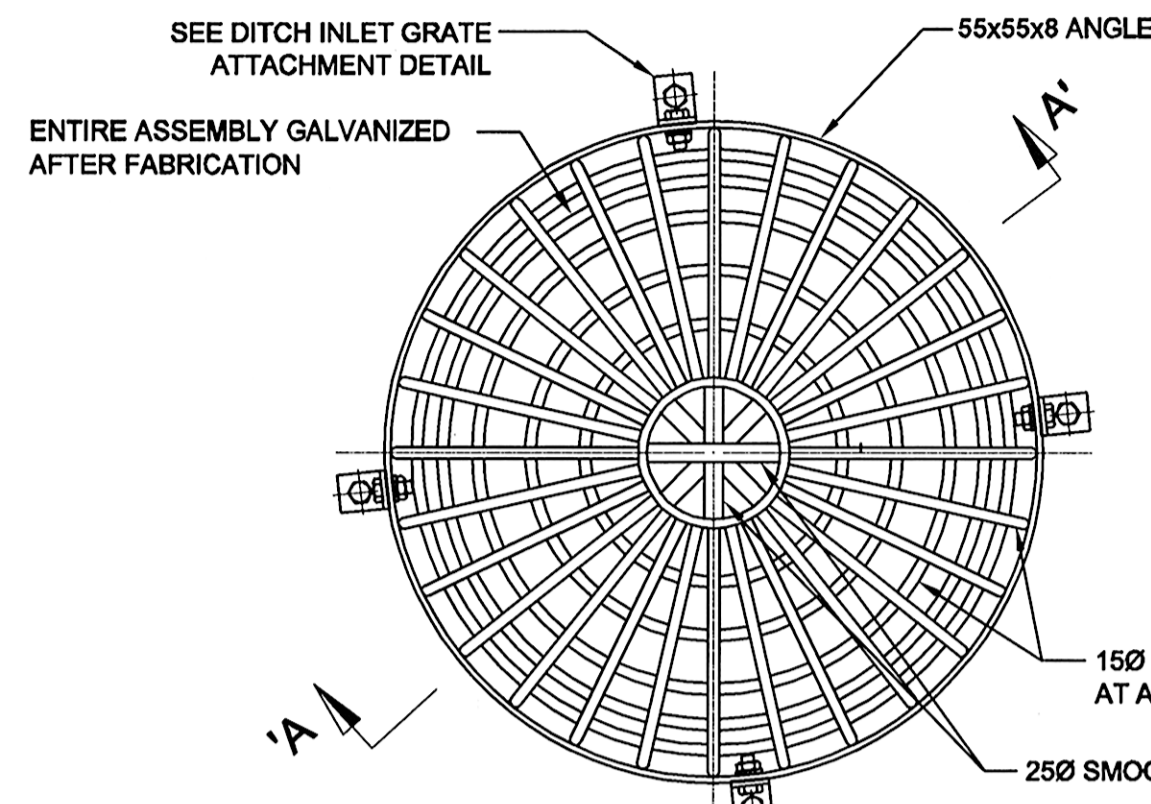
A1 SIZE 23.4" x 33.1" (594mm x 841mm)

PLOT: 090715 8:28:25 AM

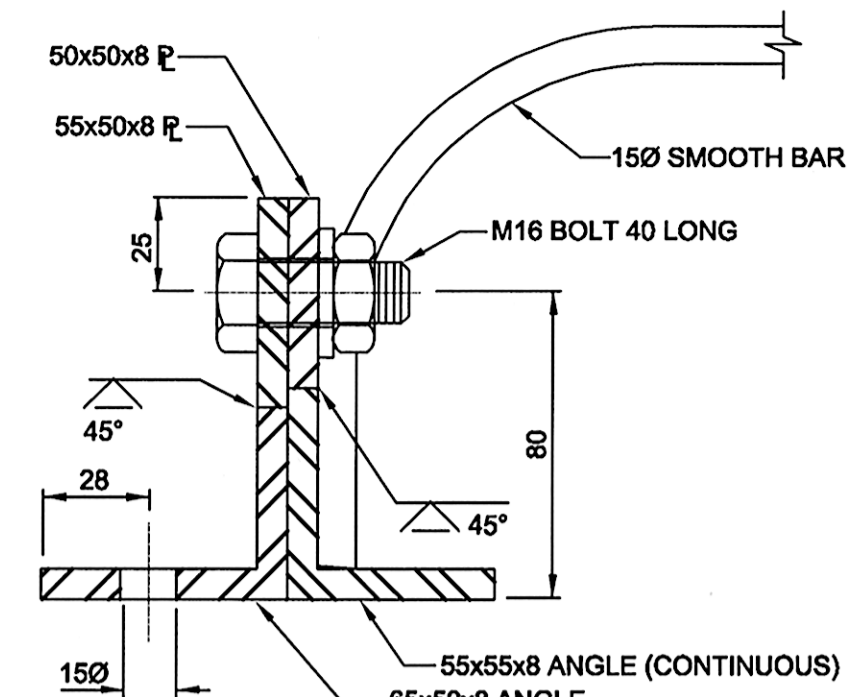
AECOM REVIEW DRAFT CHK AECOM FILE NAME: 0285-411-00_01-C-4001_RX.dwg Saved By: demucdenw



SECTION 'A-A' SCALE 1:10



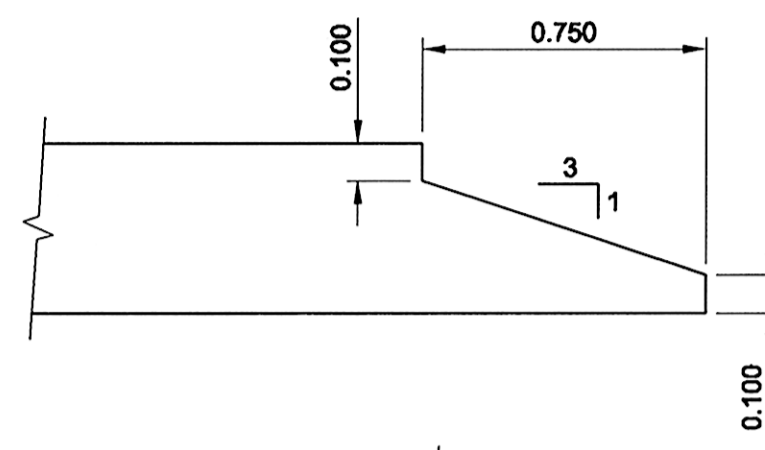
PLAN SCALE 1:10
DITCH INLET GRATE



DITCH INLET GRATE ATTACHMENT SCALE: NTS

CSP BEVEL CHART

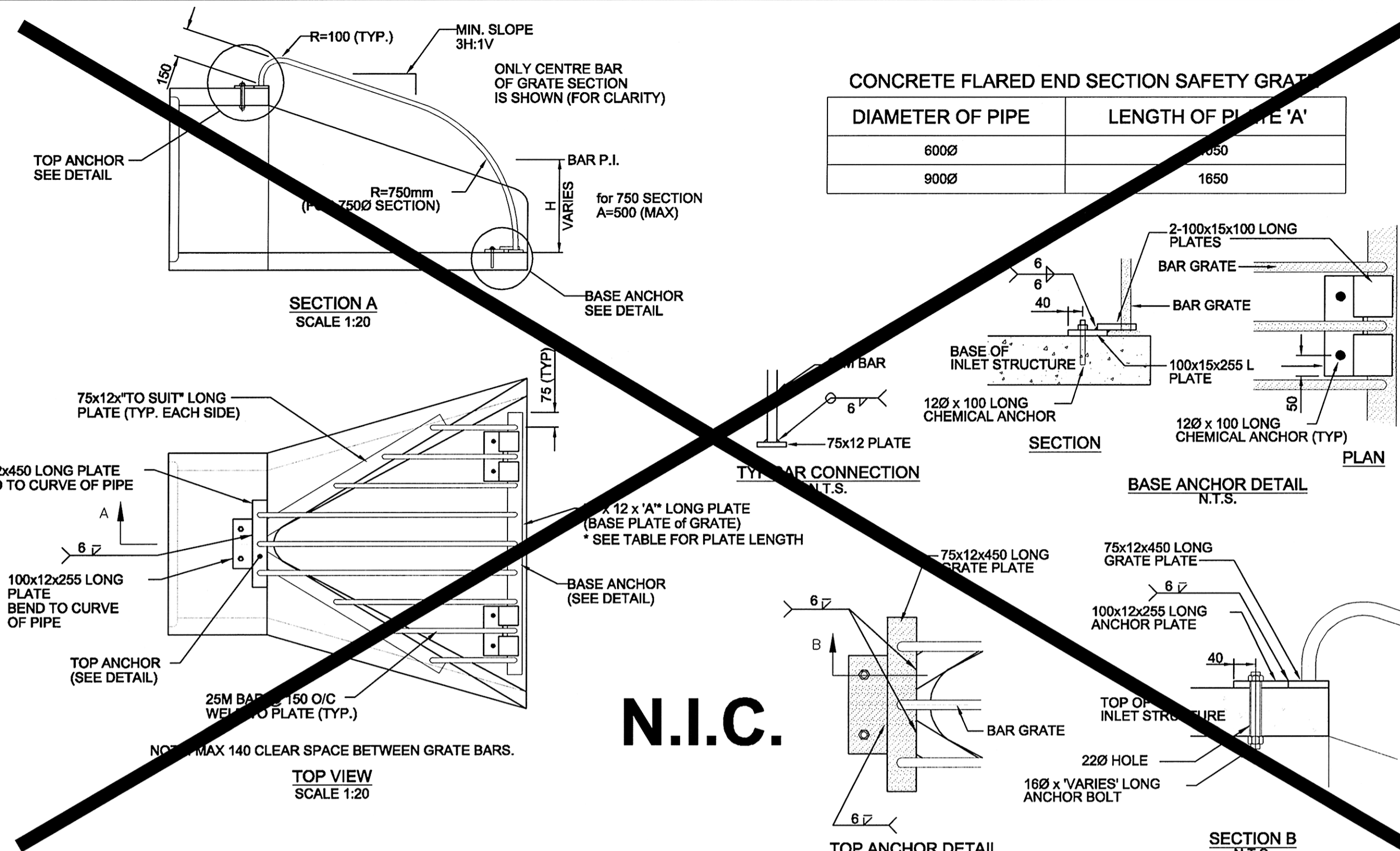
DIAMETER OF PIPE	LENGTH	STEP
300Ø	450	75
450Ø	750	100
600Ø	1050	125



NOTE: ALL NEW CSP'S TO BE INSTALLED C/W BEVEL END SECTIONS UNLESS NOTED OTHERWISE.

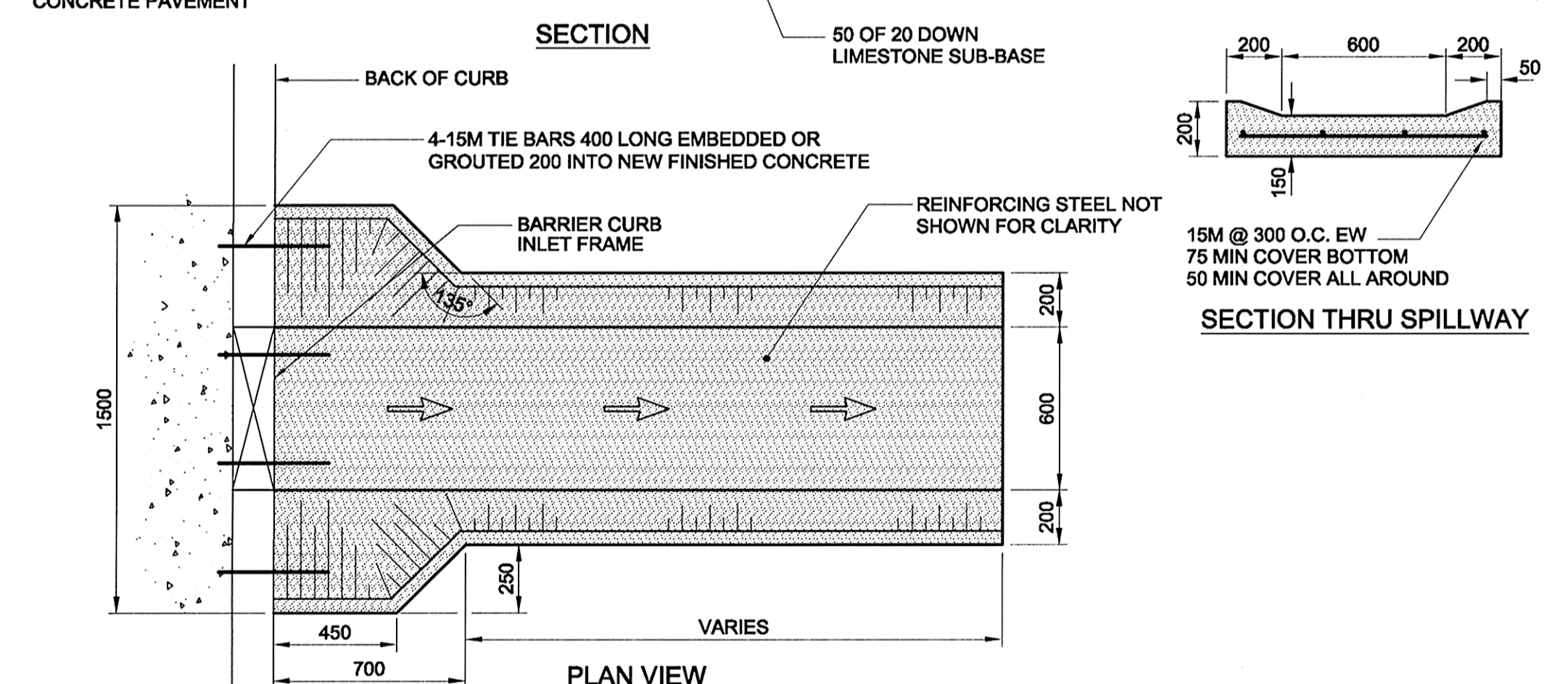
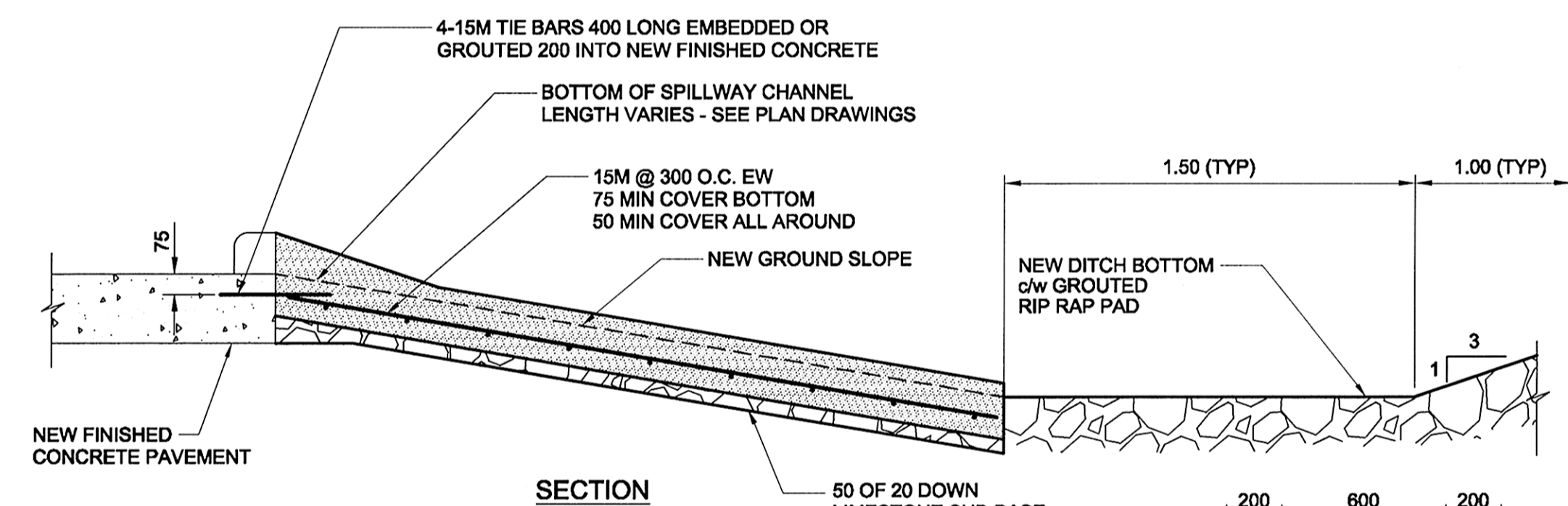
CSP BEVEL ENDS SCALE 1:20

0 0.2 0.4 0.6



N.I.C.

INLET SAFETY GRATE FOR VARIOUS PRECAST CONCRETE FLARED END SECTIONS SCALE: NTS 900Ø SHOWN

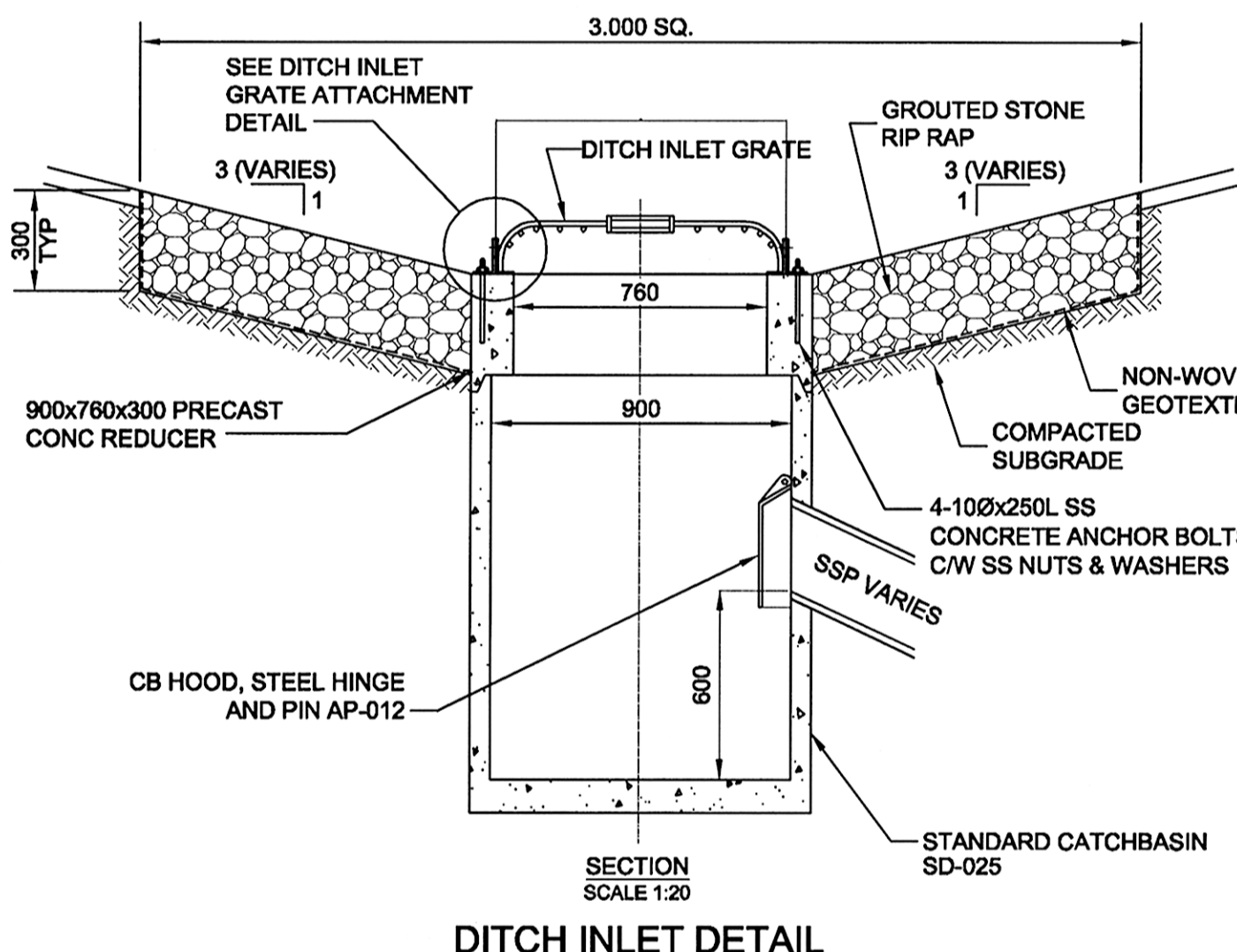


CONCRETE SPILLWAY CHANNEL DETAIL SCALE 1:20

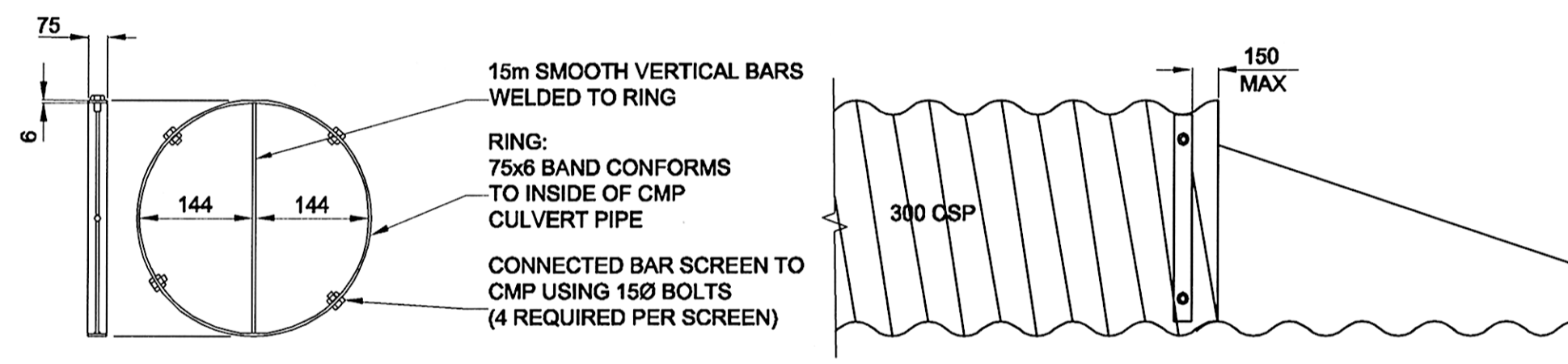
0 0.2 0.4 0.6

METRIC WHOLE NUMBERS INDICATE MILLIMETRES DECIMALIZED NUMBERS INDICATE METRES

APEGN
Certificate of Authorization
AECOM Canada Ltd.
No. 4671 Date: July 15, 2009
BID OPPORTUNITY NO. 368-2009

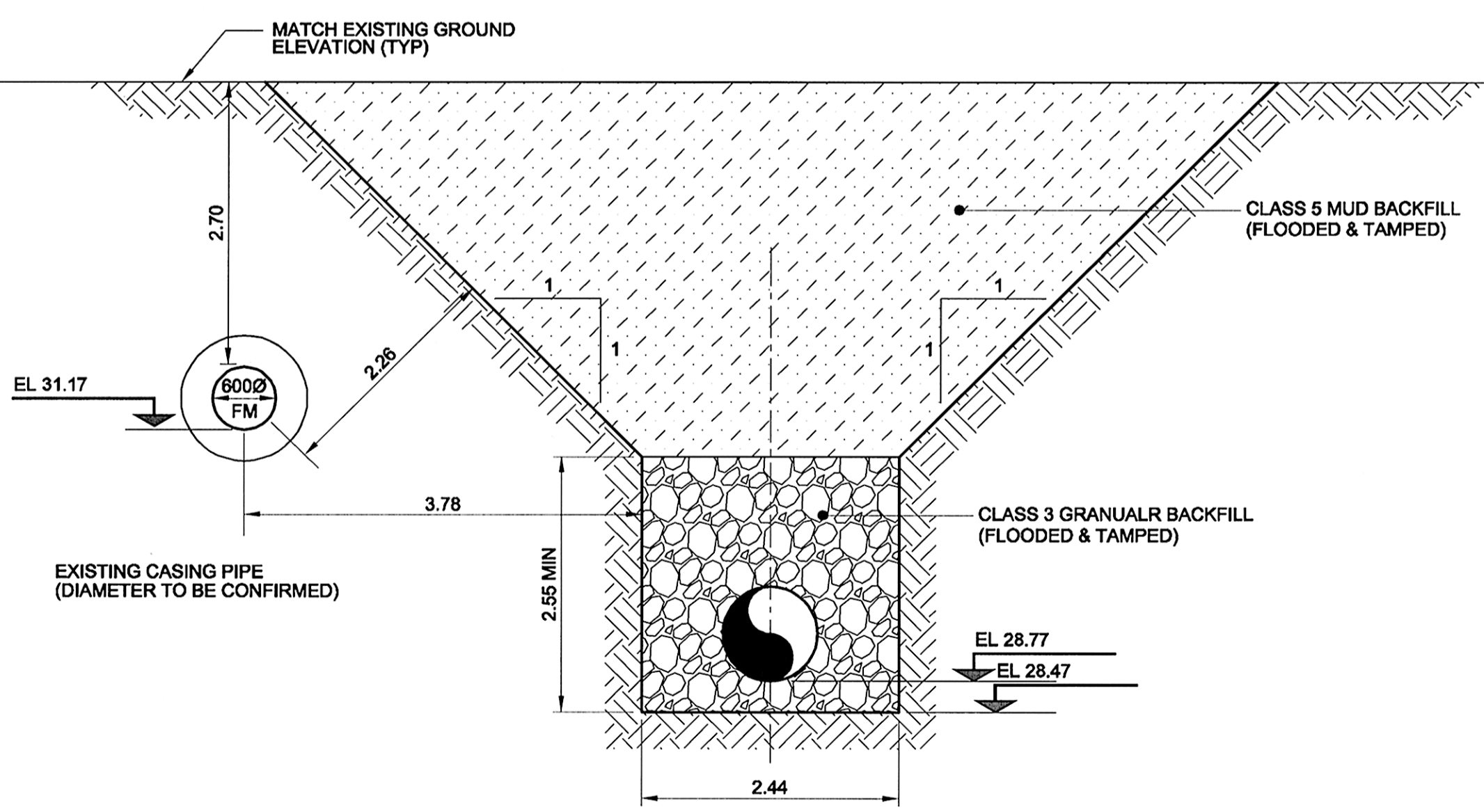


SECTION SCALE 1:20
DITCH INLET DETAIL



BAR SCREEN DETAIL SCALE: NTS CSP INLET

ENTIRE ASSEMBLY GALVANIZED AFTER FABRICATION



TYPICAL TRENCH EXCAVATION & MODIFIED CLASS 3 BACKFILL SCALE 1:50

0 0.5 1 1.5

LOCATION APPROVED UNDERGROUND STRUCTURES

NO.	REVISIONS	DATE	BY
0	ISSUED FOR CONSTRUCTION	09/07/15	WJD

NOTE: LOCATION OF UNDERGROUND STRUCTURES AS SHOWN ARE BASED ON THE BEST INFORMATION AVAILABLE. BUT NO GUARANTEE IS GIVEN THAT ALL EXISTING UTILITIES ARE SHOWN OR THAT THE GIVEN LOCATIONS ARE EXACT. CONFIRMATION OF EXISTENCE AND EXACT LOCATION OF ALL SERVICES MUST BE OBTAINED FROM THE INDIVIDUAL UTILITIES BEFORE PROCEEDING WITH CONSTRUCTION.

AECOM

DESIGNED BY	DME	CHECKED BY	[Signature]
DRAWN BY	WJD	APPROVED BY	[Signature]
HOR. SCALE	1:500	RELEASED FOR CONSTRUCTION	[Signature]
VERT. SCALE	1:50	DATE	July 15, 2009

PROFESSIONAL'S SEAL
PROVINCE OF MANITOBA
REGISTERED PROFESSIONAL ENGINEER
A. NAGY
July 15, 2009

THE CITY OF WINNIPEG
PUBLIC WORKS DEPARTMENT
ENGINEERING DIVISION

INKSTER BOULEVARD WIDENING PROJECT
BROOKSIDE BOULEVARD TO KEEWATIN STREET
LAND DRAINAGE SYSTEM MISCELLANEOUS DETAILS

CITY DRAWING NUMBER	P-3301-26
SHEET	26 OF 31
DRAWING No.	26
REV	0