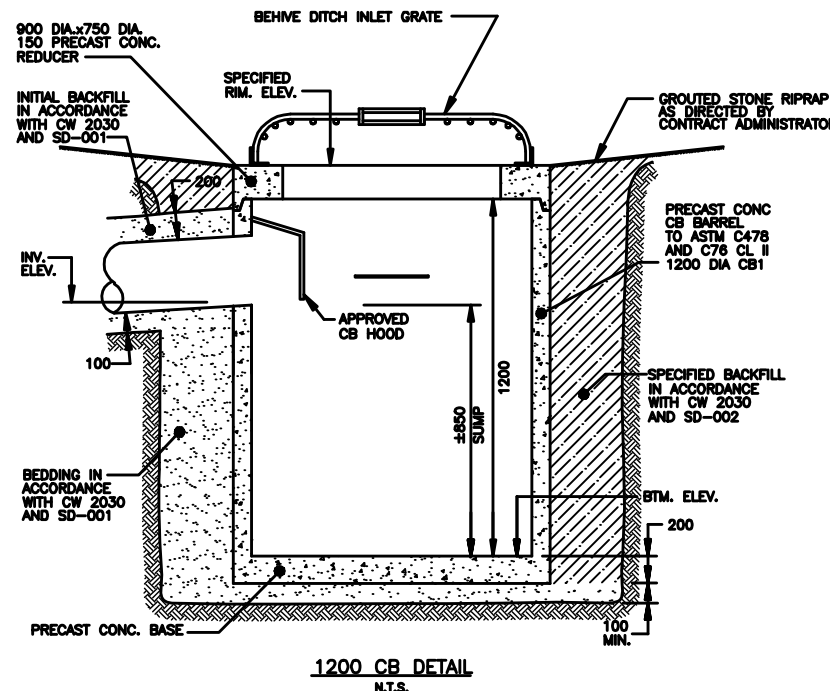
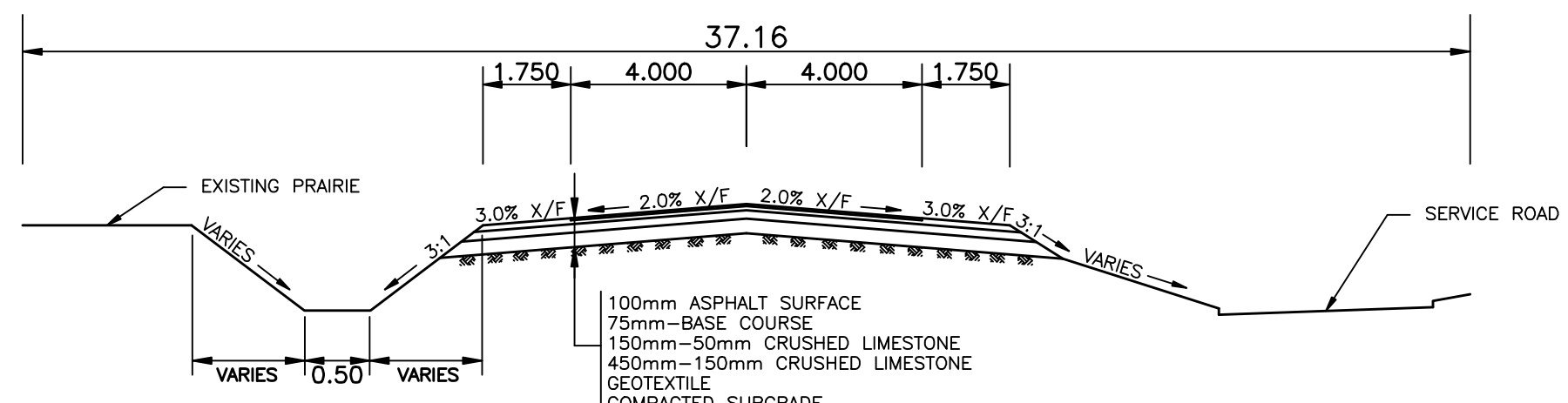


NOTES:

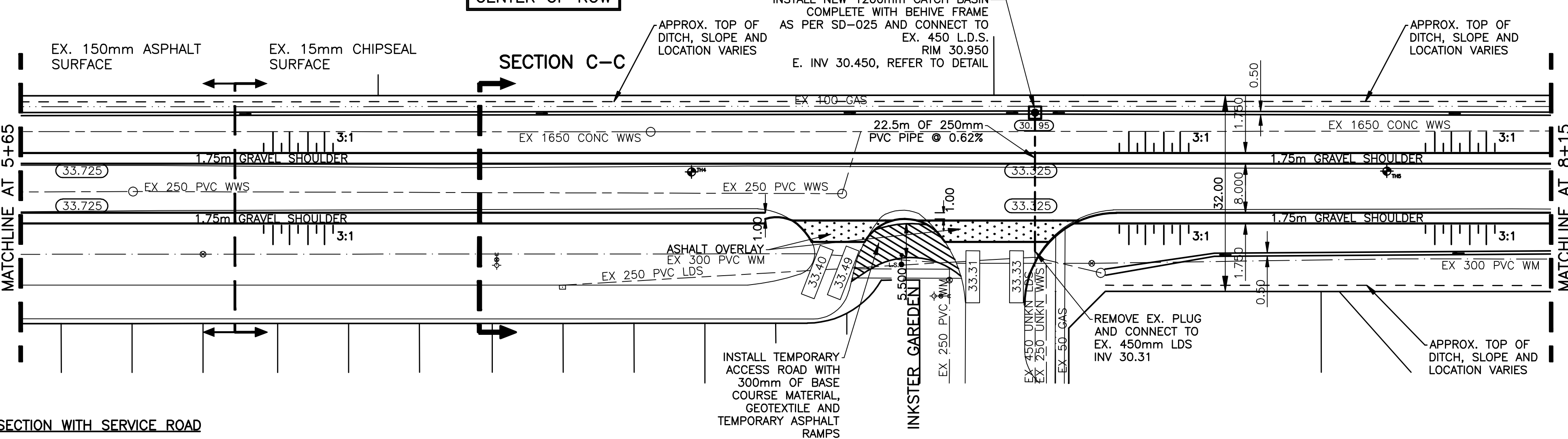
1. REGRADE EXISTING DITCHES AS DIRECTED BY CONTRACT ADMINISTRATOR
2. RENEW EXISTING APPROACHES AS DIRECTED BY CONTRACT ADMINISTRATOR
3. RENEW EXISTING CURBS AND SIDEWALKS AS DIRECTED BY CONTRACT ADMINISTRATOR
4. REPAIR EXISTING PAVEMENT AS DIRECTED BY CONTRACT ADMINISTRATOR



TYPICAL GRANULAR ROAD CROSS SECTION WITH SERVICE ROAD
N.T.S.



CHAINAGE ALONG CENTER OF ROW



KING EDWARD STREET

METRIC
WHOLE NUMBERS INDICATE MILLIMETRES
DECIMALIZED NUMBERS INDICATE METRES

BENCHMARK:
N.E. COR. KING EDWARD ST. & JEFFERSON AVE., BRASS PLUG
PLUG IN 7.6m PILE, 2.6m E. OF HYDRO TRANSMISSION LINE
ON E. SIDE OF KING EDWARD ST. & 2.3m S. OF LINE OF WOODEN
POLES ON N. SIDE OF JEFFERSON AVE.

---	WATERMAIN	---	HYDRO	---	CENTER LINE	---	LOCATION APPROVED
⊕	HYDRANT	⊕	M.T.S.	---	EAST GUTTER LINE	---	B.M. ELEV.
⊕	VALVE	⊕	GRAVEL/CHIP SEAL	---	WEST GUTTER LINE	---	CWM: 04-011
---	LAND DRAINAGE SEWER	---	ASPHALT	---	EAST DITCH	---	233.064
○	WASTE WATER SEWER	○	PROPERTY LINE	---	WEST DITCH	---	
○	MANHOLE	○	C.B. LEAD	---	WASTE WATER SEWER	---	
□	CATCH BASIN	□	CULVERT	---	LAND DRAINAGE SEWER	---	
⊕	MTS	⊕	DITCH BOTTOM	---	WATERMAIN	---	
---	TRAFFIC SIGNAL	---	DITCH TOP	---	GAS	---	
---	STEAM HT.	---	ELEVATIONS	---	GATEVALVE	---	
---	GAS	---		---	TESTHOLE	---	
---	EXISTING	---	LEGEND - PLAN	---	PROPOSED	---	

---	WATERMAIN	---	HYDRO	---	CENTER LINE	---	LOCATION APPROVED
⊕	HYDRANT	⊕	M.T.S.	---	EAST GUTTER LINE	---	B.M. ELEV.
⊕	VALVE	⊕	GRAVEL/CHIP SEAL	---	WEST GUTTER LINE	---	CWM: 04-011
---	LAND DRAINAGE SEWER	---	ASPHALT	---	EAST DITCH	---	233.064
○	WASTE WATER SEWER	○	PROPERTY LINE	---	WEST DITCH	---	
○	MANHOLE	○	C.B. LEAD	---	WASTE WATER SEWER	---	
□	CATCH BASIN	□	CULVERT	---	LAND DRAINAGE SEWER	---	
⊕	MTS	⊕	DITCH BOTTOM	---	WATERMAIN	---	
---	TRAFFIC SIGNAL	---	DITCH TOP	---	GAS	---	
---	STEAM HT.	---	ELEVATIONS	---	GATEVALVE	---	
---	GAS	---		---	TESTHOLE	---	
---	EXISTING	---	LEGEND - PROFILE	---	PROPOSED	---	

GENIVAR
10 Prairie Way, WINNIPEG, MANITOBA R2J 3J8
PH: (204)-477-6850 FAX: (204)-474-2854

DESIGNED BY: R.H. CHECKED BY: S.M.
DRAWN BY: R.H. APPROVED BY: I.McK
HOR. SCALE: 1:500
VERT. SCALE: 1:50

DATE: APRIL 2009

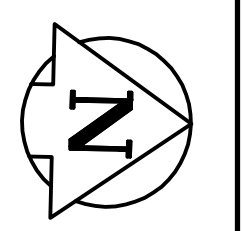
ENGINEERS SEAL
I. G. MCKINNON
REGISTERED PROFESSIONAL ENGINEER

CONSULTANT DRAWING NO.
063-057-03

THE CITY OF WINNIPEG
PUBLIC WORKS DEPARTMENT

2009 GRANULAR ROAD IMPROVEMENTS AND MAJOR PAVEMENT REHABILITATION
KING EDWARD STREET
FROM MATCHLINE AT STATION 5+65 TO MATCHLINE AT STATION 8+15

CITY DRAWING NO.
SHEET 3 OF 6
367-2009



APRIL 2009