

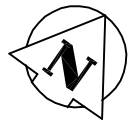
BID OPPORTUNITY No. 301-2009 FILE No. 113705070

PARKVILE DR. from WEAVER BAY to PULLBERRY ST.

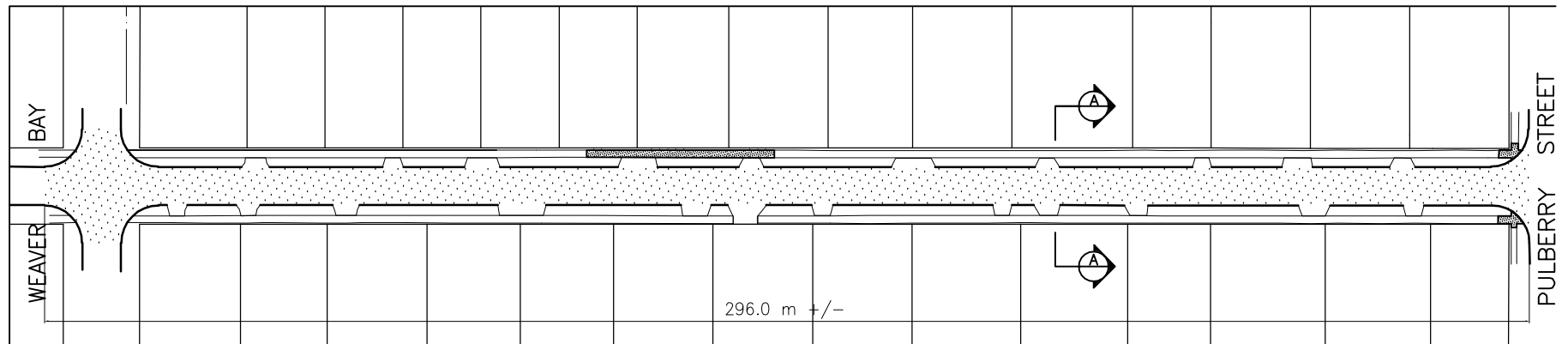
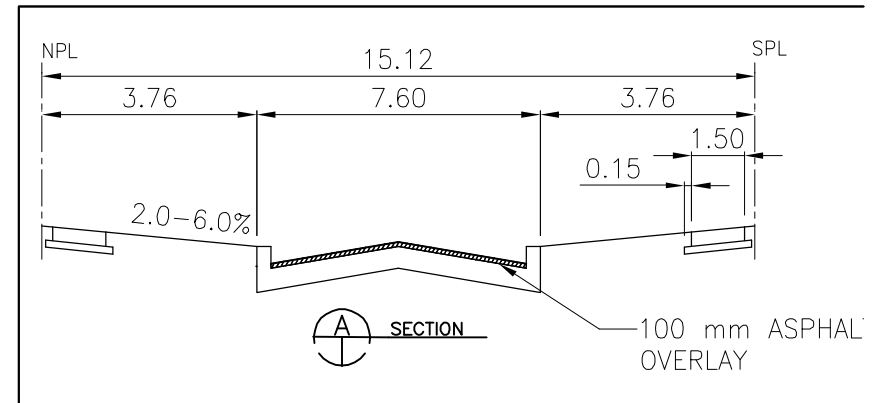
L= 296.0M

W= 7.6M

TYPE OF WORK: MAJOR REHABILITATION



PARKVILE DRIVE



V:\1137\active\113705070\drawing\402_design\sheet_files\05070c-215-XXX.dwg
2009-04-16 08:35AM By: tgall

March, 2009
113705070



Stantec Consulting LTD.

905 Waverley Street
Winnipeg MB Canada
R3T 5P4
Tel. 204-489-5900
Fax. 204-453-9012
www.stantec.com

Notes

- MAJOR REHABILITATION INCLUDES
1. PAVEMENT REPAIRS
 2. ASPHALT OVERLAY
 3. CURB RENEWAL
 4. MINOR SIDEWALK RENEWAL
 5. MINOR UNDERGROUND RENEWAL

Client/Project

THE CITY OF WINNIPEG
PUBLIC WORKS DEPARTMENT

Figure No.

F-6

Title

PARKVILE DRIVE