

BID OPPORTUNITY No. 301-2009 FILE No. 113705070

DOUCET STREET from DUFRESNE AVENUE to RUE ARCHIBALD

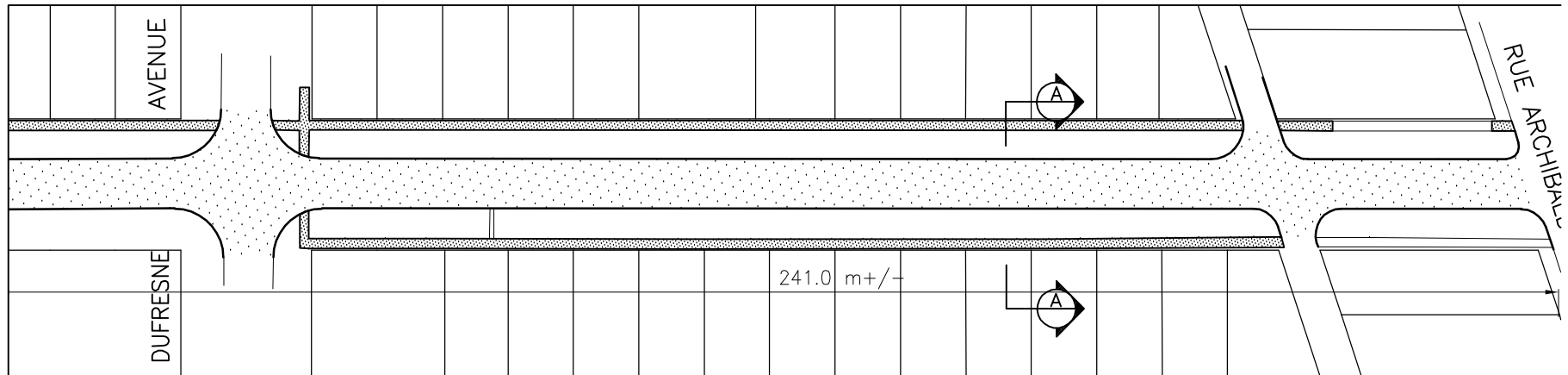
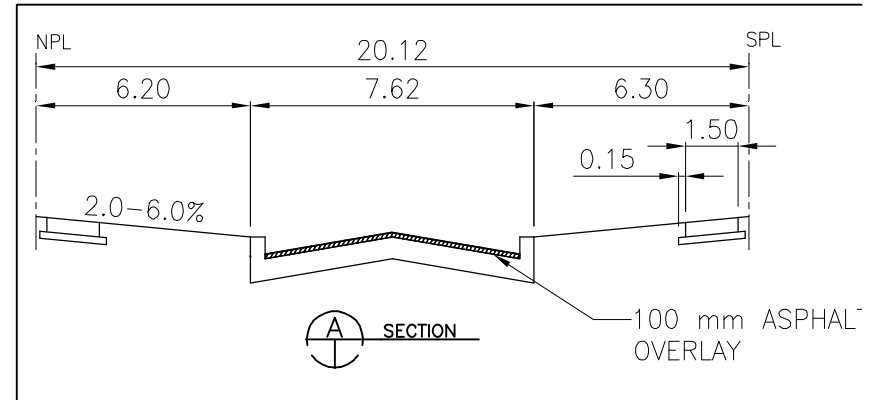
L= 241.0M

W= 7.62M

TYPE OF WORK: CRACK AND SEATING



DOUCET STREET



V:\1137\active\113705070\drawing\402_design\sheet_files\05070c-208-XXX.dwg
2009-04-16 08:30AM By: tgall

March, 2009
11370507



Stantec Consulting LTD.

905 Waverley Street
Winnipeg MB Canada
R3T 5P4
Tel. 204-489-5900
Fax. 204-453-9012
www.stantec.com

Notes

- CRACK AND SEATING INCLUDES
1. PAVEMENT REPAIRS
 2. ASPHALT OVERLAY
 3. CURB RENEWAL
 4. MINOR SIDEWALK RENEWAL
 5. MINOR UNDERGROUND RENEWAL

Client/Project

THE CITY OF WINNIPEG
PUBLIC WORKS DEPARTMENT

Figure No.

F-3

Title

DOUCET STREET