

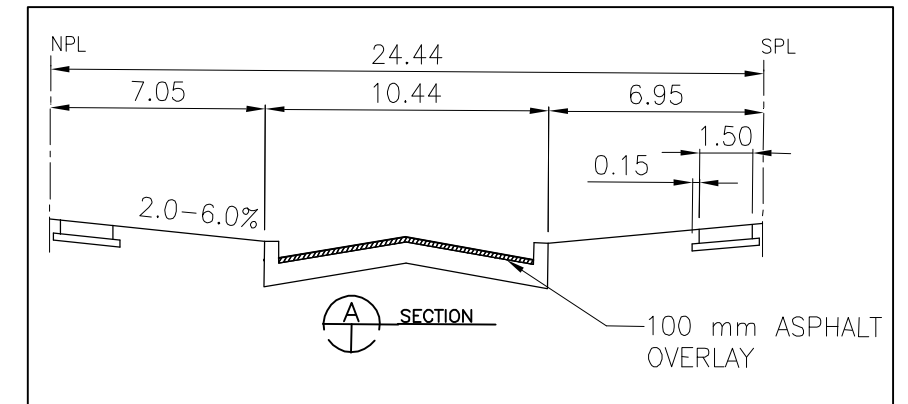
BID OPPORTUNITY No. 301-2009 FILE No. 113705070

COTTONWOOD ROAD from RUE ARCHIBALD to AUTUMNWOOD ROAD

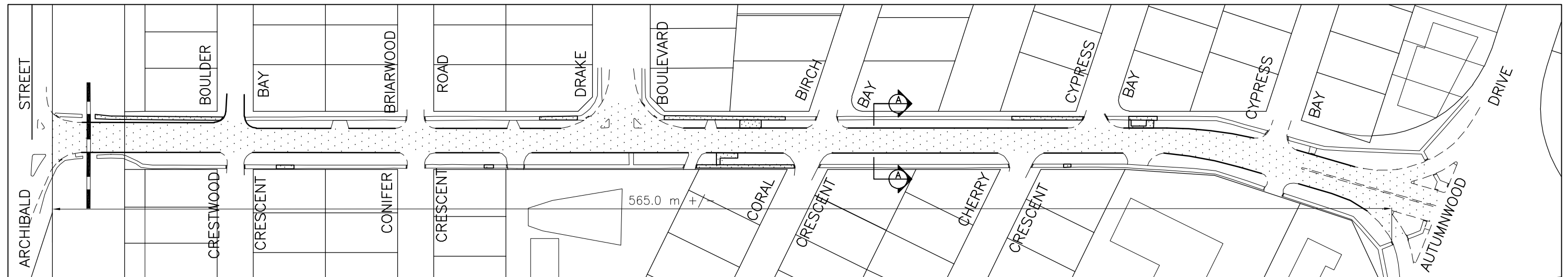
L= 565.0M

W= 10.44M

TYPE OF WORK: MAJOR REHABILITATION



COTTONWOOD ROAD



V:\1137\active\113705070\drawing\402_design\sheet_files\05070c-203-XXX.dwg
2009-04-16 08:24AM By: tgall

March, 2009
113705070

ORIGINAL SHEET - ANSI B



Stantec

Stantec Consulting LTD.

905 Waverley Street
Winnipeg MB Canada
R3T 5P4
Tel. 204-489-5900
Fax. 204-453-9012
www.stantec.com

Notes

- MAJOR REHABILITATION INCLUDES
1. PAVEMENT REPAIRS
 2. ASPHALT OVERLAY
 3. CURB RENEWAL
 4. MINOR SIDEWALK RENEWAL
 5. MINOR UNDERGROUND RENEWAL

Client/Project

THE CITY OF WINNIPEG
PUBLIC WORKS DEPARTMENT

Figure No.

F-2

Title

COTTONWOOD ROAD