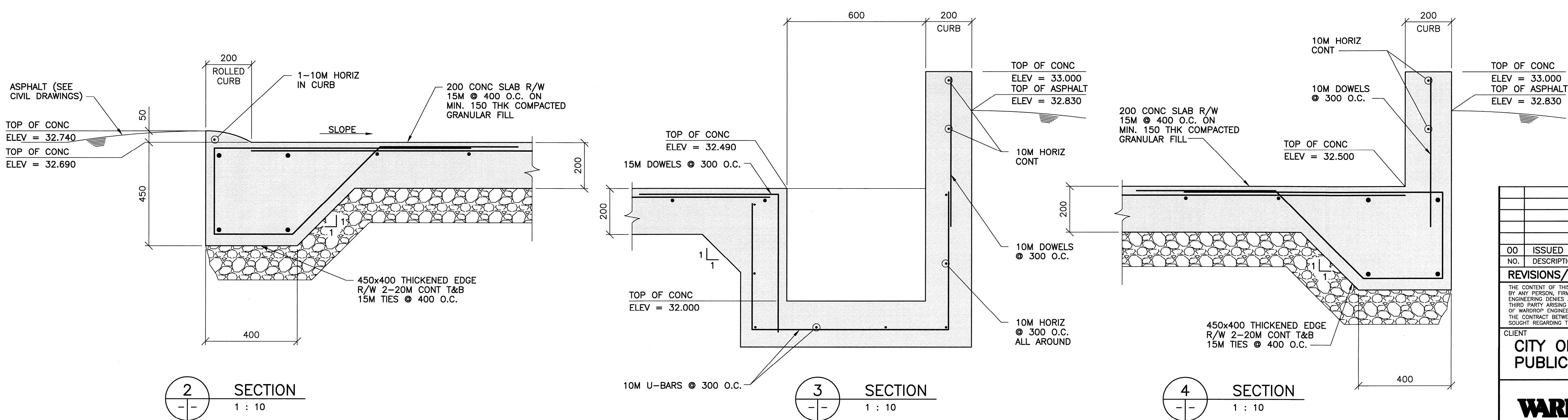


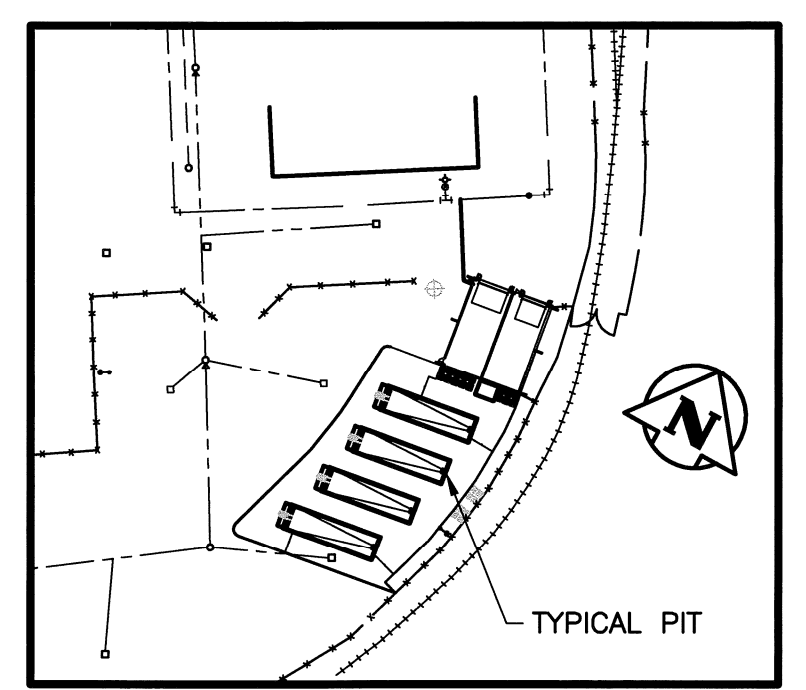
1 CONTAINMENT PIT PLAN  
1 : 50



2 SECTION  
1 : 10

3 SECTION  
1 : 10

4 SECTION  
1 : 10



KEY PLAN

00	ISSUED FOR TENDER	09.04.17
NO.	DESCRIPTION	DATE ISSUED BY

REVISIONS/ISSUE

THE CONTENT OF THIS DOCUMENT IS NOT INTENDED FOR THE USE OF, NOR IS IT INTENDED TO BE RELIED UPON BY ANY PERSON, FIRM OR CORPORATION, OTHER THAN THE CLIENT AND WARDROP ENGINEERING INC. WARDROP ENGINEERING DENIES ANY LIABILITY WHATSOEVER TO OTHER PARTIES FOR DAMAGES OR INJURY SUFFERED BY SUCH THIRD PARTY ARISING FROM USE OF THIS DOCUMENT BY THEM, WITHOUT THE EXPRESS PRIOR WRITTEN AUTHORITY OF WARDROP ENGINEERING AND OUR CLIENT. THIS DOCUMENT IS SUBJECT TO FURTHER RESTRICTIONS IMPOSED BY THE CONTRACT BETWEEN THE CLIENT AND WARDROP ENGINEERING INC. AND THESE PARTIES' PERMISSION MUST BE SOUGHT REGARDING THIS DOCUMENT IN ALL OTHER CIRCUMSTANCES.

CLIENT  
**CITY OF WINNIPEG  
PUBLIC WORKS TRAFFIC SERVICES**

**WARDROP** | Engineering Inc.

PROJECT NAME  
**RENOVATIONS FOR  
PAVEMENT MARKING OPERATIONS FACILITY**

DRAWING DESCRIPTION  
**CONTAINMENT PIT PLAN  
SECTIONS AND DETAILS**



DESIGNED BY: M.J.S.	DRAWN BY: J.L.P.	CHECKED BY:
APPROVED BY:		
SCALE: AS NOTED	DATE: 09.03.24	
DRAWING NO. <b>0900070300-DWG-S0004</b>	REV. <b>00</b>	

