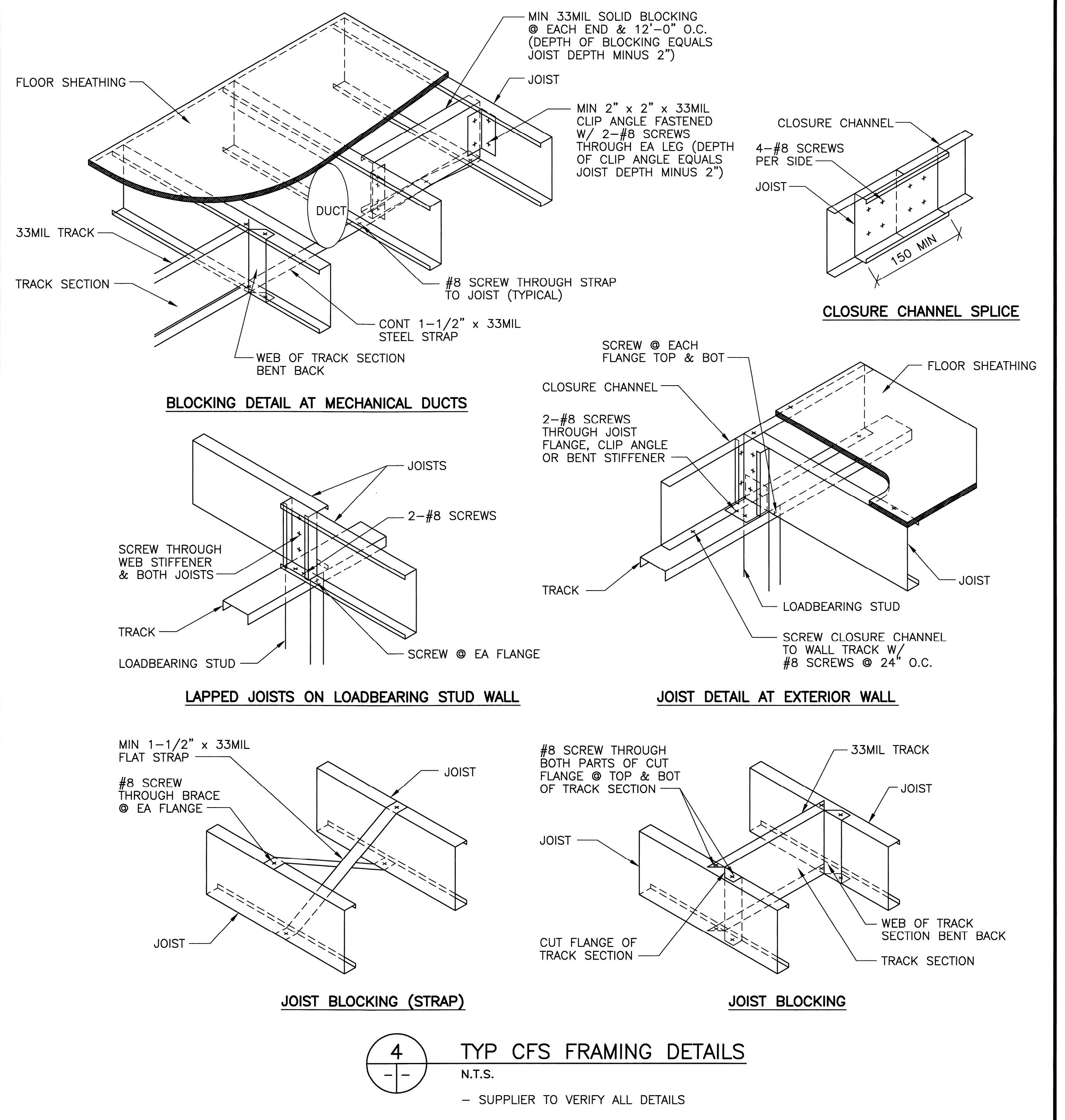


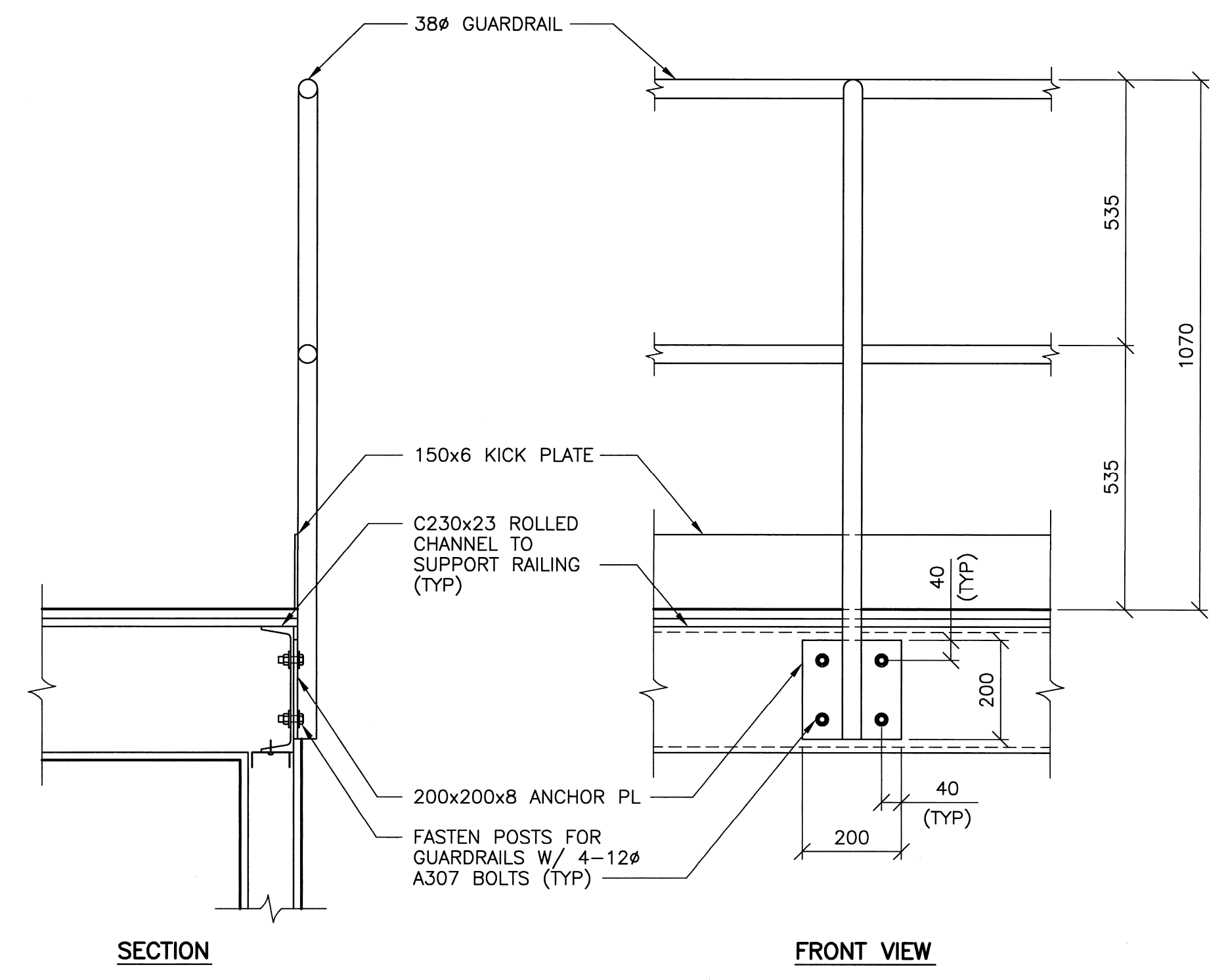
- COLD FORM STEEL FRAMING:**
- 1 92 X 0.91mm STEEL STUDS @ 400 O.C.
- BRACE @ 1200mm MAX (LINE UP UNDER JOISTS)
 - 2 254 X 1.2mm CEILING JOISTS @ 400 O.C.
- BRIDGE OR BLOCKING MIDSPAN
 - 3 PROVIDE DOUBLE RIM JOISTS OVER AND DOUBLE NESTED STUDS EACH SIDES OF DOORWAY
 - 4 PROVIDE TWO NESTED STUDS EACH SIDE OF DOORWAY

SUMP PIT UNDER MAIN FLOOR (SEE MECH)
 - SAW CUT & REMOVE CONCRETE
 - SHORE AS REQUIRED
 - INSTALL MIN 150mm COMPACTED GRANULAR BASE
 - INSTALL NEW PRE-MANUFACTURED SUMP TANK
 - BACKFILL C/W LEAN MIX (10 MPa) CONCRETE
 - INSTALL 15M DOWELS @ 200 AROUND & E.W. ACROSS OPNG. HIT-HIT ADHESIVE SYSTEM
 - REPAIR CONCRETE SLAB & FINISH TO MATCH EXISTING

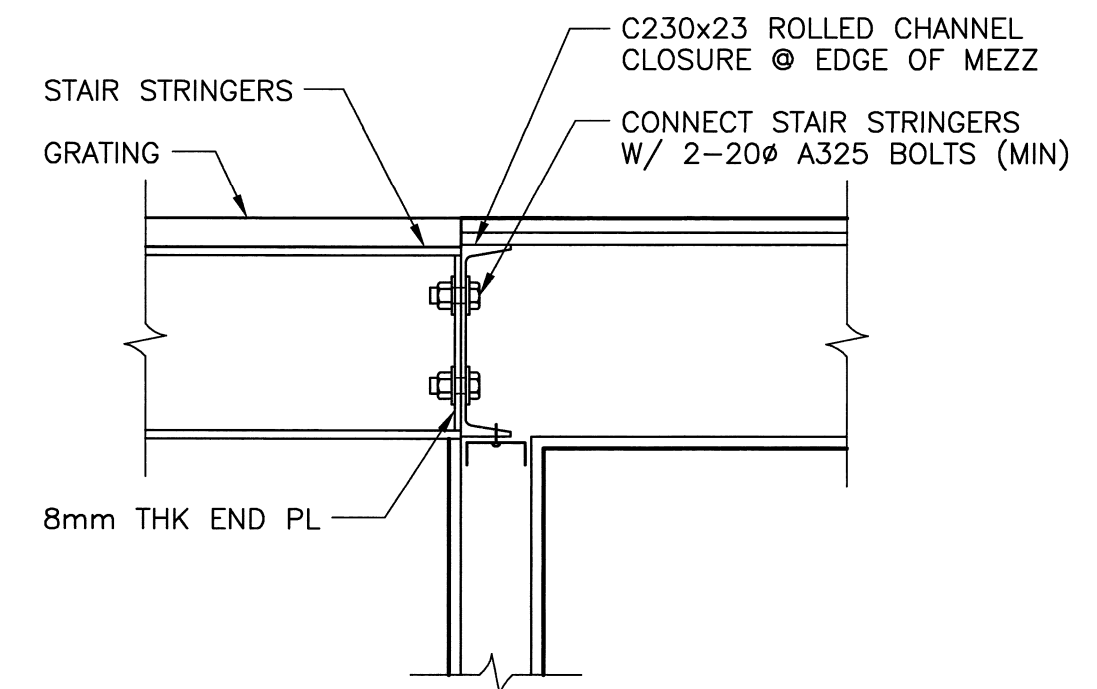
MEZZANINE PARTIAL FRAMING PLAN
 1 : 50
 DL = 0.5 kPa
 LL = 7.2 kPa



4 TYP CFS FRAMING DETAILS
 N.T.S.
 - SUPPLIER TO VERIFY ALL DETAILS



2 SECTION
 1 : 10



3 SECTION
 1 : 10

00	ISSUED FOR TENDER	09.04.17	
NO.	DESCRIPTION	DATE	ISSUED BY
REVISIONS/ISSUE			
<small>THE CONTENT OF THIS DOCUMENT IS NOT INTENDED FOR THE USE OF, NOR IS IT INTENDED TO BE RELIED UPON BY ANY PERSON, FIRM OR CORPORATION, OTHER THAN THE CLIENT AND WARDROP ENGINEERING INC. WARDROP ENGINEERING DENIES ANY LIABILITY WHATSOEVER TO OTHER PARTIES FOR DAMAGES OR INJURY SUFFERED BY SUCH THIRD PARTY ARISING FROM USE OF THIS DOCUMENT BY THEM, WITHOUT THE EXPRESS PRIOR WRITTEN AUTHORITY OF WARDROP ENGINEERING AND OUR CLIENT. THIS DOCUMENT IS SUBJECT TO FURTHER RESTRICTIONS IMPOSED BY THE CONTRACT BETWEEN THE CLIENT AND WARDROP ENGINEERING INC. AND THESE PARTIES' PERMISSION MUST BE SOUGHT REGARDING THIS DOCUMENT IN ALL OTHER CIRCUMSTANCES.</small>			
CLIENT			
CITY OF WINNIPEG PUBLIC WORKS TRAFFIC SERVICES			
WARDROP Engineering Inc.			
PROJECT NAME			
RENOVATIONS FOR PAVEMENT MARKING OPERATIONS FACILITY			
DRAWING DESCRIPTION			
PARTIAL ROOF FRAMING PLAN, AND DETAILS			
DESIGNED BY:	DRAWN BY:	CHECKED BY:	
S.S.	E.V.		
APPROVED BY:			
SCALE:	AS NOTED	DATE:	09.02.04
DRAWING NO.	0900070300-DWG-S0001		00

