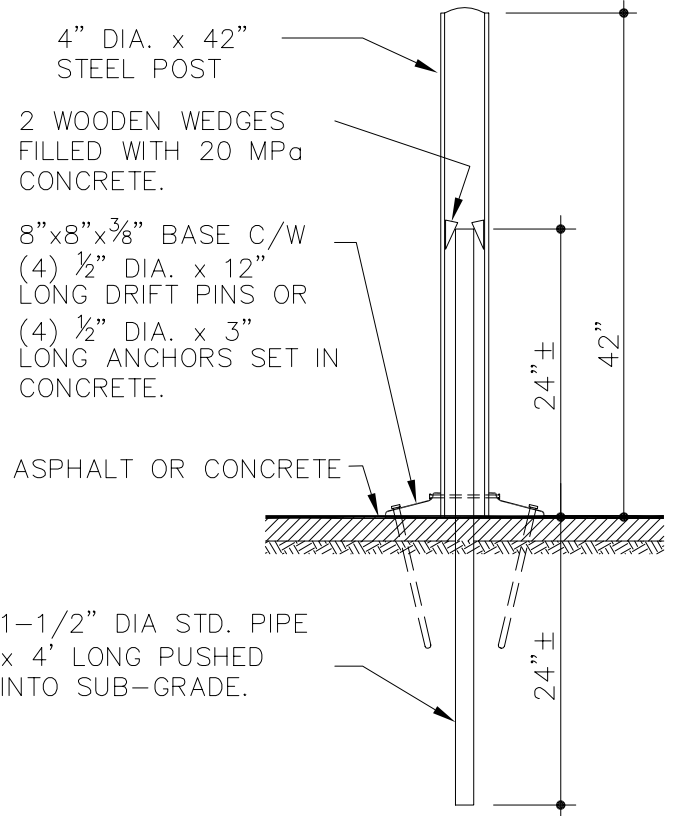



CONCRETE-FILLED  
STEEL BOLLARD  
(SET-IN)



STEEL BOLLARD  
(SURFACE)

 CITY OF WINNIPEG PLANNING, PROPERTY & DEVELOPMENT DEPARTMENT CIVIC ACCOMMODATIONS DIVISION 300-65 GARRY STREET R3C 4K4		PROJECT <b>CONCRETE REPAIRS</b>		SHEET TITLE <b>DETAILS          BOLLARDS</b>	
DRAWN BY RH/DTA	CHECKED BY RC/DTA	APPROVED BY	DATE 1994.02/2005.05 eFILE bollards.dwg	SCALE <b>N.T.S.</b>	SHEET NO. <b>D-1</b>
			PROJECT NO. <b>N/A</b>		