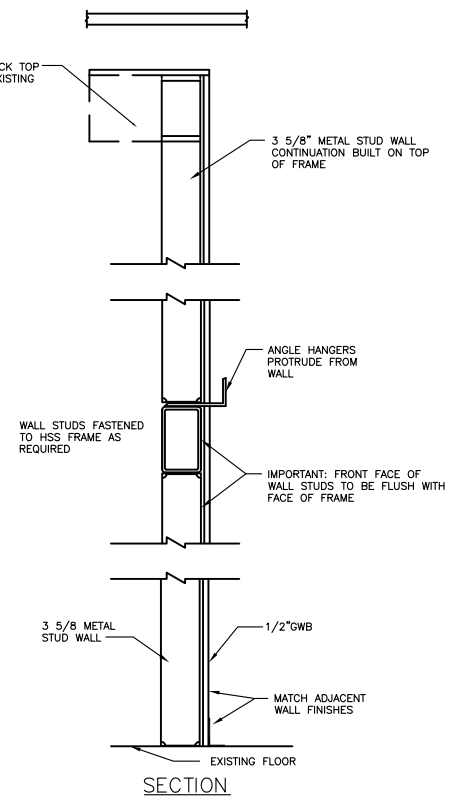
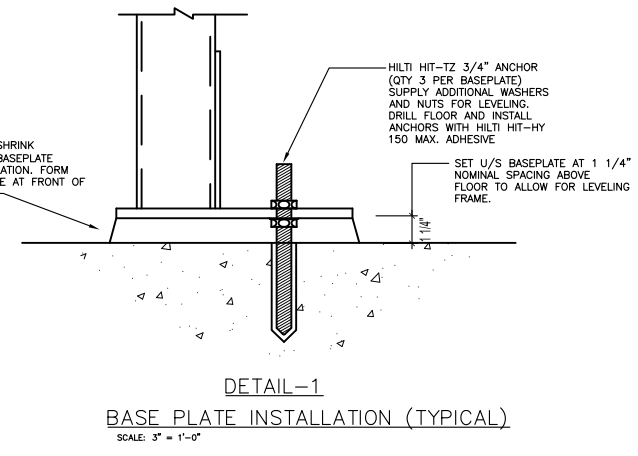
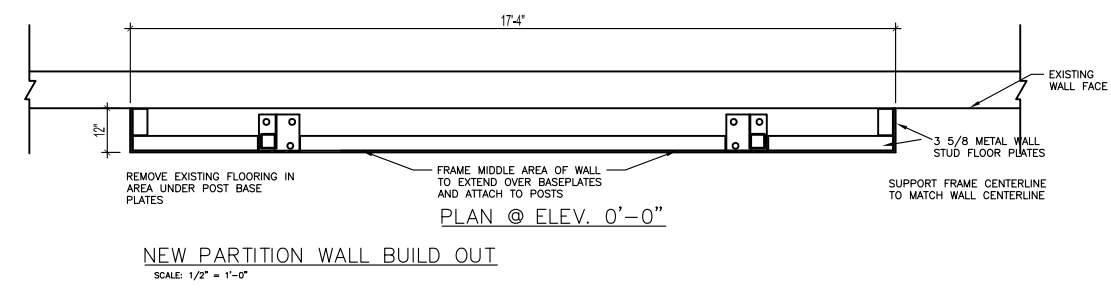
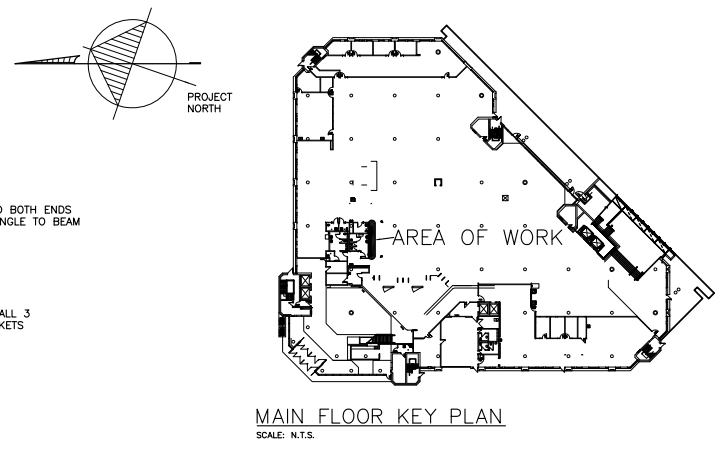
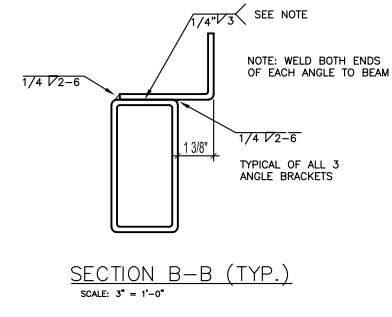
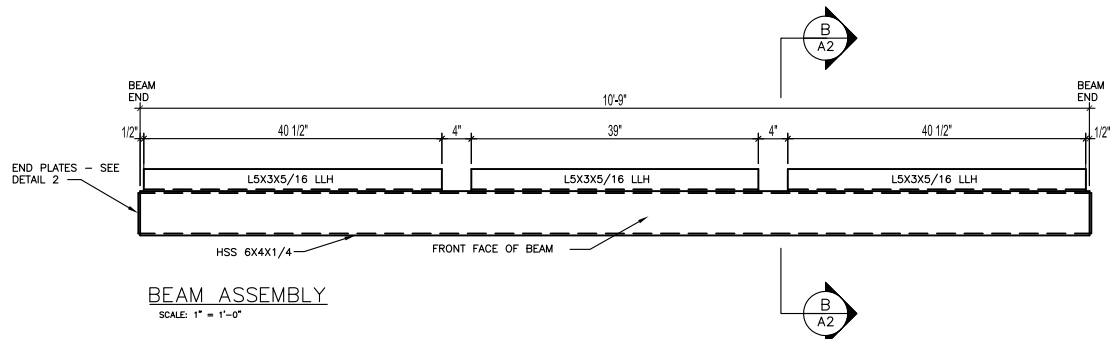


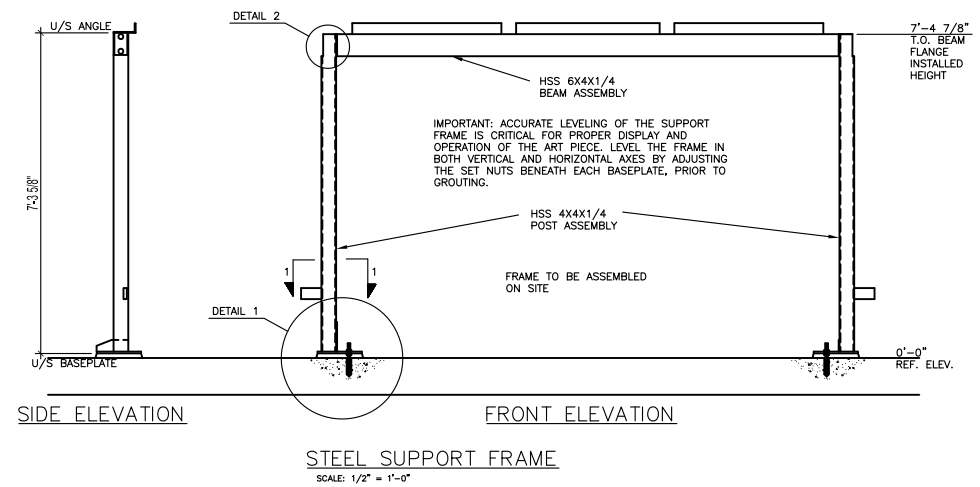
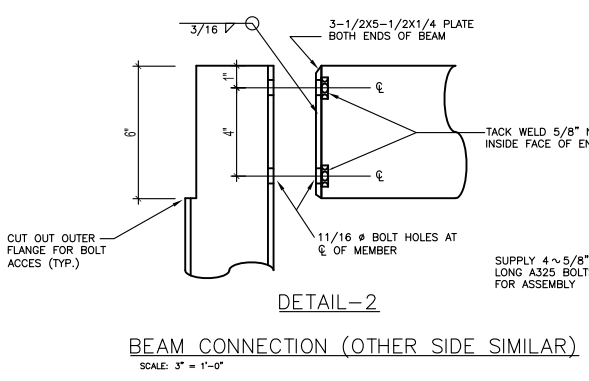
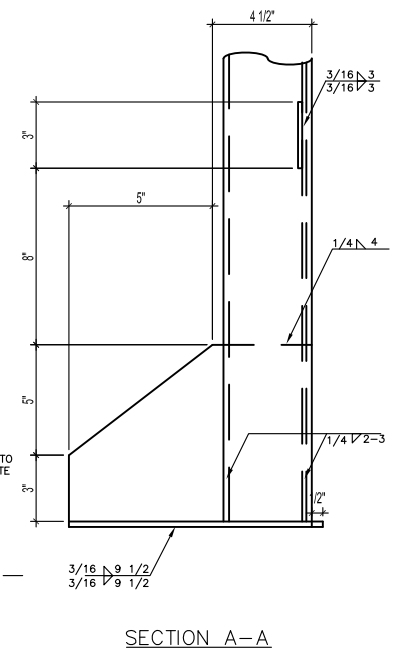
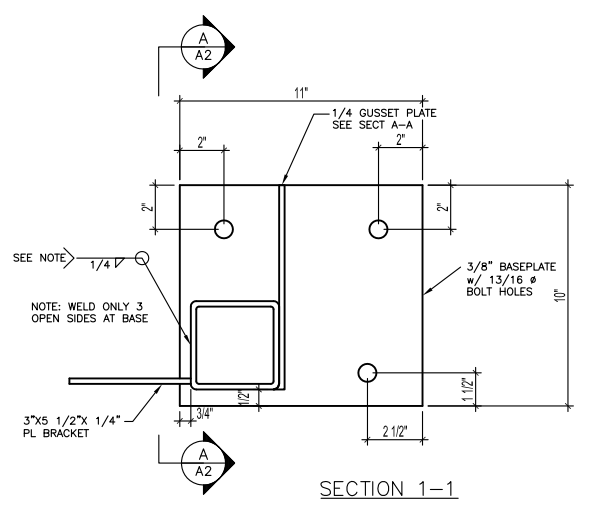
FILE NAME: 200601701A2
 DATE: 2009.01.10
 DESCRIPTION: MAIN FLOOR PLAN
 PROJECT No: 2006-017
 ADDRESS: 251 DONALD STREET

NOTES:
 ALL DIMENSIONS MUST BE FIELD VERIFIED & CONFIRMED ON-SITE BY THE CONTRACTOR.
 REPORT DEVIATIONS IN FIELD CONDITIONS OR DESIGN DRAWINGS TO THE CONTRACT ADMINISTRATOR.
 PROTECT EXISTING STRUCTURES AND UTILITIES DURING THE WORK.
 CONSTRUCT TEMPORARY HOARDING AT SITE TO BARRICADE PUBLIC ACCESS TO WORK.
 PROVIDE SITE CLEAN-UP AT THE END OF THE WORK TO THE SATISFACTION OF THE CONTRACT ADMINISTRATOR.
FABRICATION/INSTALLATION SPECIFICATIONS AND NOTES
 SUPPLY AND FABRICATION OF STEEL COMPONENTS SHALL MEET THE REQUIREMENTS OF: STRUCTURAL SHAPES - CAN/CSA G40.20/G40.21 OR ASTM A992/A992M; BARS - CAN3-G312.1/G312.2; BOLTS - A-325; WELDING - CAN/CSA-S16 AND CSA W59.
 FIELD WELDING SHALL NOT BE PERMITTED AT THE SITE.
 NEW ASSEMBLIES SHALL BE SHOP FABRICATED TO THE FULLEST EXTENT POSSIBLE. FIELD WORK SHALL BE LIMITED TO INSTALLATIONS, REPAIRS AND TOUCH UPS, UNLESS NOTED OTHERWISE.
 THE CONTRACTOR IS RESPONSIBLE FOR SURVEYING AND ESTABLISHING ALL WORK ELEVATIONS, LINES AND POINTS, AND ANCHOR BOLT LOCATIONS.
 PREPARATION AND APPLICATION OF ALL THIRD PARTY PRODUCTS SHALL BE IN FULL ACCORDANCE WITH THE RESPECTIVE MANUFACTURERS' SPECIFICATIONS.
 NO PRODUCT SUBSTITUTIONS WITHOUT PRIOR APPROVAL OF THE CONTRACT ADMINISTRATOR.
ARCHITECTURAL / FINISHING
 NEW WALL BUILD OUT SHALL BE FINISHED TO MATCH ADJACENT WALLS, INCLUDING PAINT COLOR / FINISH AND 4" RUBBER BASE.
 REPAIR AND /OR RESTORE EXISTING STRUCTURES OR FINISHES INCLUDING WALLBOARD, CARPET, AND THE TILE ALTERED BY THE WORK.



ORIGINAL STAMPED BY: BRENT PINIUTA
 DATE: 2009.03.30

NO.	REVISION/DESCRIPTION	BY	DATE
SEALS			



DRAWN BY: MSD
CHECKED BY: USER APPROVAL
DATE: 2008.01.10
APPROVED:

**CITY OF WINNIPEG
 PLANNING, PROPERTY &
 DEVELOPMENT DEPARTMENT
 CIVIC ACCOMMODATIONS DIVISION
 300 - 85 GARRY ST. R3C 4K4**

PROJECT:
 MILLENNIUM LIBRARY
 INSTALLATION OF KINETIC ART PIECE

251 DONALD STREET

SHEET TITLE:
 SUPPORT FRAME FABRICATION
 AND INSTALLATION DETAILS

SCALE: AS SHOWN
PROJECT NO.: 2006-017
SHEET NO.: A2

DRAWING SHEET SIZE: A1 (841mm x 594mm) PLOT 1:1