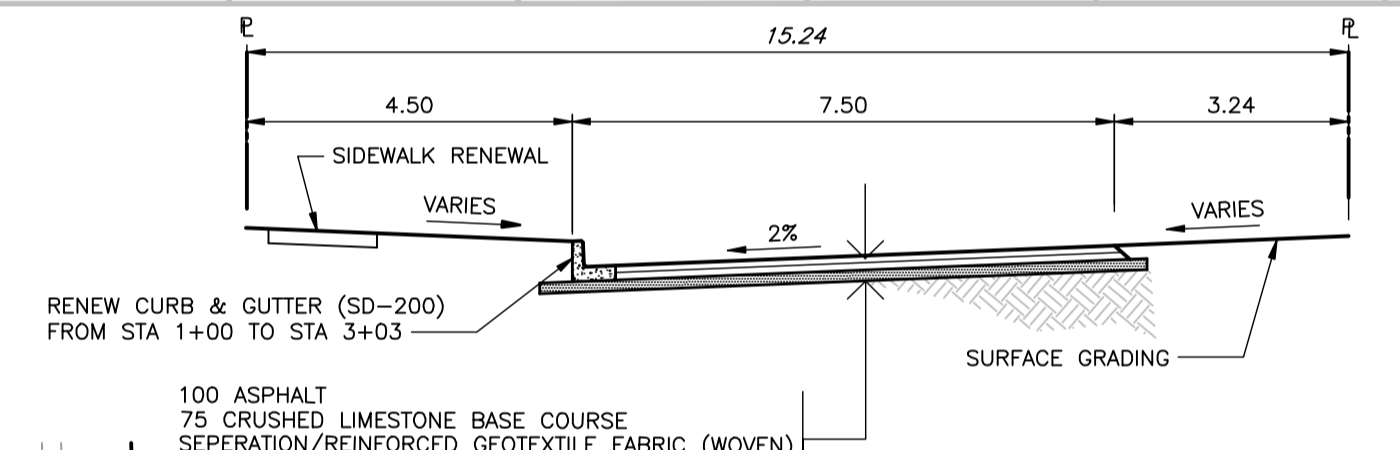
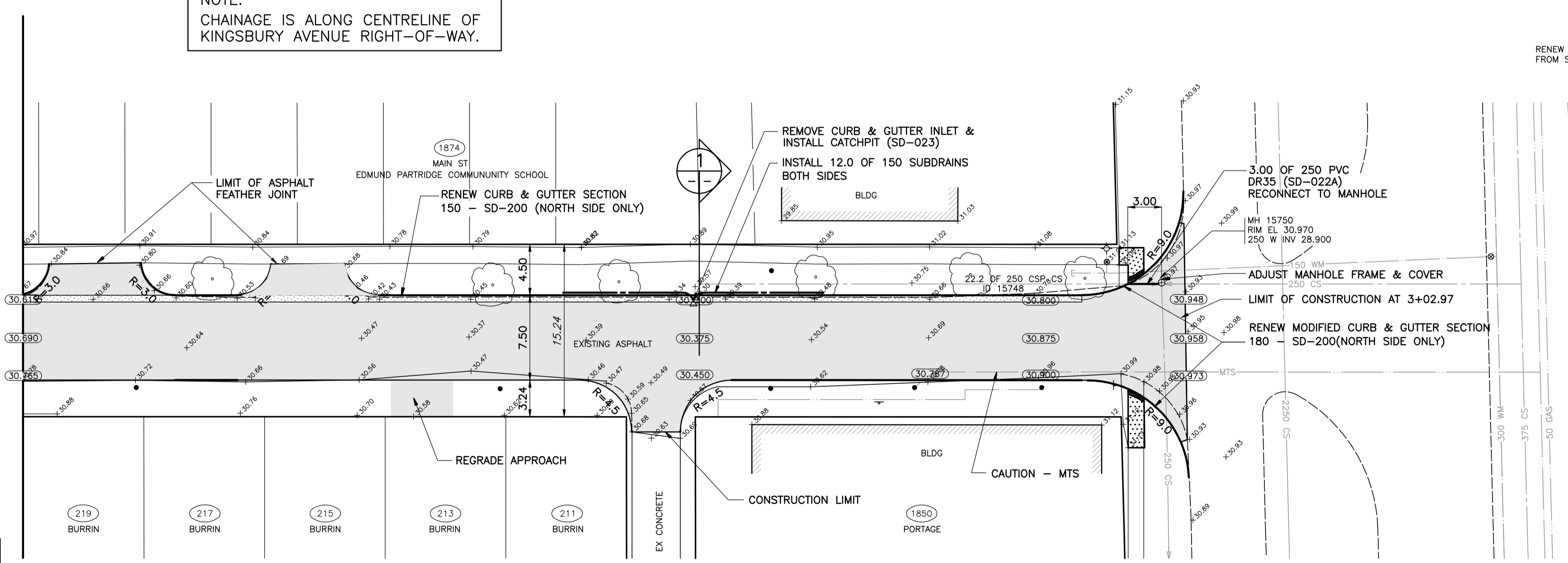


NOTE:  
CHAINAGE IS ALONG CENTRELINE OF  
KINGSBURY AVENUE RIGHT-OF-WAY.



1 KINGSBURY AVENUE CROSS SECTION  
HOR 1:100, VER 1:50



- CONSTRUCTION NOTES:
1. CONFIRM LOCATION OF ALL SEWER SERVICES WITHIN THE LIMITS OF REPAIR.
  2. CONFIRM LOCATION OF ALL REPAIRS PRIOR TO EXCAVATION.

**APEGN**  
Certificate of Authorization  
Wardrop Engineering Inc.  
No. 195 Expiry: April 30, 2009

KINGSBURY AVENUE

150 WM	WATERMAIN	150 WM	○	MANHOLE	●	GAS	
400 FM	FEEDERMAIN	400 FM	□	CATCHBASIN	■	HYDRO	
300 LDS	LAND DRAINAGE SEWER	300 LDS	▽	CURB INLET	▼	MTS	
250 WWS	WASTEWATER SEWER	250 WWS	•	HYDRO POLE	×31.175	ELEVATION	(32.000)
300 CS	COMBINED SEWER	300 CS	—	LIGHT STANDARD		SIDEWALK	
200 FCM	FORCEMAIN	200 FCM	—	ANCHOR		CURB	
	JUNCTIONS		+	TREE		ASPHALT	
	HYDRANT		⊕	LEGAL DIMENSION		CONCRETE	
	VALVE		⊕	SURVEY BAR			
	CURB STOP		⊕	FENCE			
EXISTING	LEGEND-PLAN	PROPOSED	EXISTING	LEGEND-PLAN	PROPOSED	EXISTING	LEGEND-PLAN/PROFILE

LOCATION APPROVED UNDERGROUND STRUCTURES

SUPV. U/G STRUCTURES COMMITTEE DATE

NOTE: LOCATION OF UNDERGROUND STRUCTURES AS SHOWN ARE BASED ON THE BEST INFORMATION AVAILABLE. BUT NO GUARANTEE IS GIVEN THAT ALL EXISTING UTILITIES ARE SHOWN OR THAT THE GIVEN LOCATIONS ARE EXACT. CONFIRMATION OF EXISTENCE AND EXACT LOCATION OF ALL SERVICES MUST BE OBTAINED FROM THE INDIVIDUAL UTILITIES BEFORE PROCEEDING WITH CONSTRUCTION.

B.M. ELEV.	
DESIGNED BY	NH
CHECKED BY	
DRAWN BY	GMD
APPROVED BY	
HOR. SCALE:	1 : 250
VERTICAL:	1 : 10
RELEASED FOR CONSTRUCTION	
DATE	09.02.01

**WARDROP Engineering Inc.**

DESIGNED BY NH  
CHECKED BY  
DRAWN BY GMD  
APPROVED BY  
HOR. SCALE: 1 : 250  
VERTICAL: 1 : 10  
RELEASED FOR CONSTRUCTION  
DATE 09.02.01

**PRELIMINARY DRAWING**

NOT TO BE USED FOR CONSTRUCTION

CONSULTANT DRAWING NO. 0900070200-SKT-C0009-A

**THE CITY OF WINNIPEG**  
PUBLIC WORKS DEPARTMENT  
ENGINEERING DIVISION

2009 LOCAL STREET RENEWALS PAVEMENT RECONSTRUCTION

KINGSBURY AVENUE  
100m EAST OF AIKINS STREET EAST TO MAIN STREET

CITY DRAWING NUMBER  
SHEET 9 OF 21  
C0009