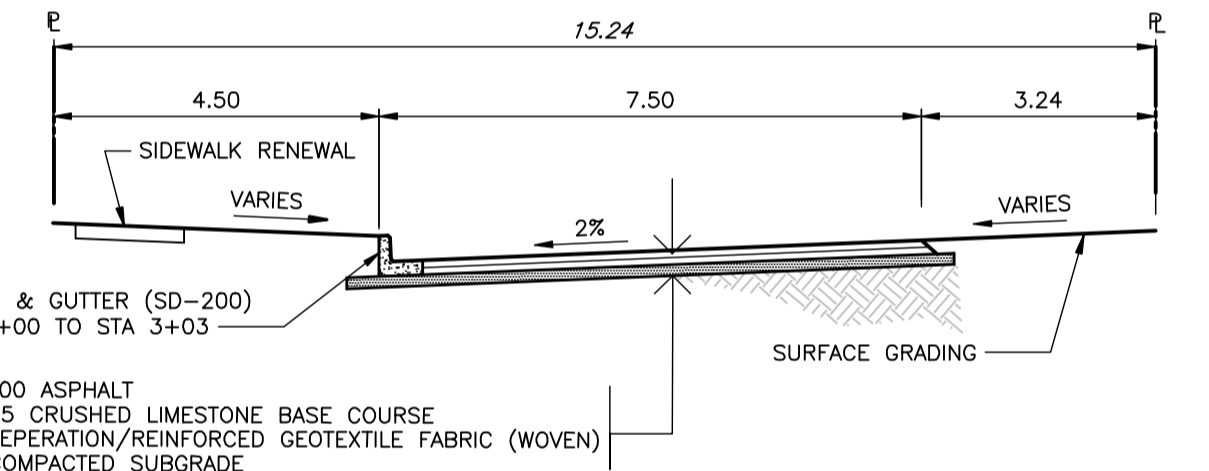
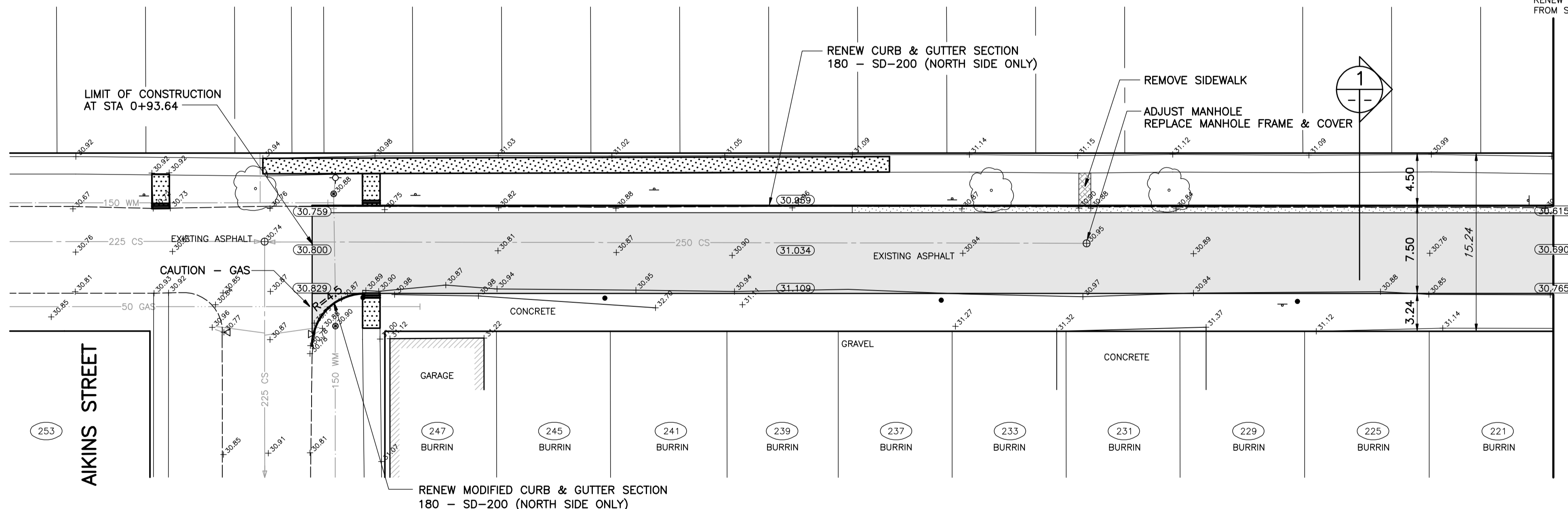


NOTE:  
CHAINAGE IS ALONG CENTRELINE OF  
KINGSBURY AVENUE RIGHT-OF-WAY.



1 KINGSBURY AVENUE CROSS SECTION  
HOR 1:100, VER 1:50



KINGSBURY AVENUE



EXISTING	LEGEND-PLAN	PROPOSED	EXISTING	LEGEND-PLAN	PROPOSED	EXISTING	LEGEND-PLAN/PROFILE	PROPOSED
150 WM	WATERMAIN	150 WM	○	MANHOLE	●	---	GAS	
400 FM	FEEDERMAIN	400 FM	□	CATCHBASIN	■	---	HYDRO	
300 LDS	LAND DRAINAGE SEWER	300 LDS	▽	CURB INLET	▼	---	MTS	
250 WWS	WASTEWATER SEWER	250 WWS	•	HYDRO POLE	•	---	ELEVATION	(32.000)
300 CS	COMBINED SEWER	300 CS	+	LIGHT STANDARD	+	---	SIDEWALK	
200 FCM	FORCEMAIN	200 FCM	—	ANCHOR	—	---	CURB	
	JUNCTIONS		+	TREE	+	---	ASPHALT	
	HYDRANT		⊕	LEGAL DIMENSION	⊕	---	CONCRETE	
	VALVE		⊕	SURVEY BAR	⊕	---		
	CURB STOP		⊕	FENCE	⊕	---		
			⊕			---		

LOCATION APPROVED UNDERGROUND STRUCTURES  
 SUPV. U/G STRUCTURES COMMITTEE DATE  
 NOTE: LOCATION OF UNDERGROUND STRUCTURES AS SHOWN ARE BASED ON THE BEST INFORMATION AVAILABLE. BUT NO GUARANTEE IS GIVEN THAT ALL EXISTING UTILITIES ARE SHOWN OR THAT THE GIVEN LOCATIONS ARE EXACT. CONFIRMATION OF EXISTENCE AND EXACT LOCATION OF ALL SERVICES MUST BE OBTAINED FROM THE INDIVIDUAL UTILITIES BEFORE PROCEEDING WITH CONSTRUCTION.

NO.	REVISIONS	DATE	BY
00	ISSUED FOR TENDER	09.04.17	NH

**WARDROP Engineering Inc.**

DESIGNED BY: NH	CHECKED BY:
DRAWN BY: GMD	APPROVED BY:
HOR. SCALE: 1 : 250	RELEASED FOR CONSTRUCTION:
VERTICAL: 1 : 10	DATE: 09.02.01

**PRELIMINARY DRAWING**  
 NOT TO BE USED FOR CONSTRUCTION  
 CONSULTANT DRAWING NO. 0900070200-SKT-C0008-00

**THE CITY OF WINNIPEG**  
 PUBLIC WORKS DEPARTMENT  
 ENGINEERING DIVISION

2009 LOCAL STREET RENEWALS PAVEMENT RECONSTRUCTION  
 KINGSBURY AVENUE  
 AIKINS STREET EAST TO  
 100m EAST OF AIKINS STREET EAST

CITY DRAWING NUMBER  
 SHEET 8 OF 21  
 C0008