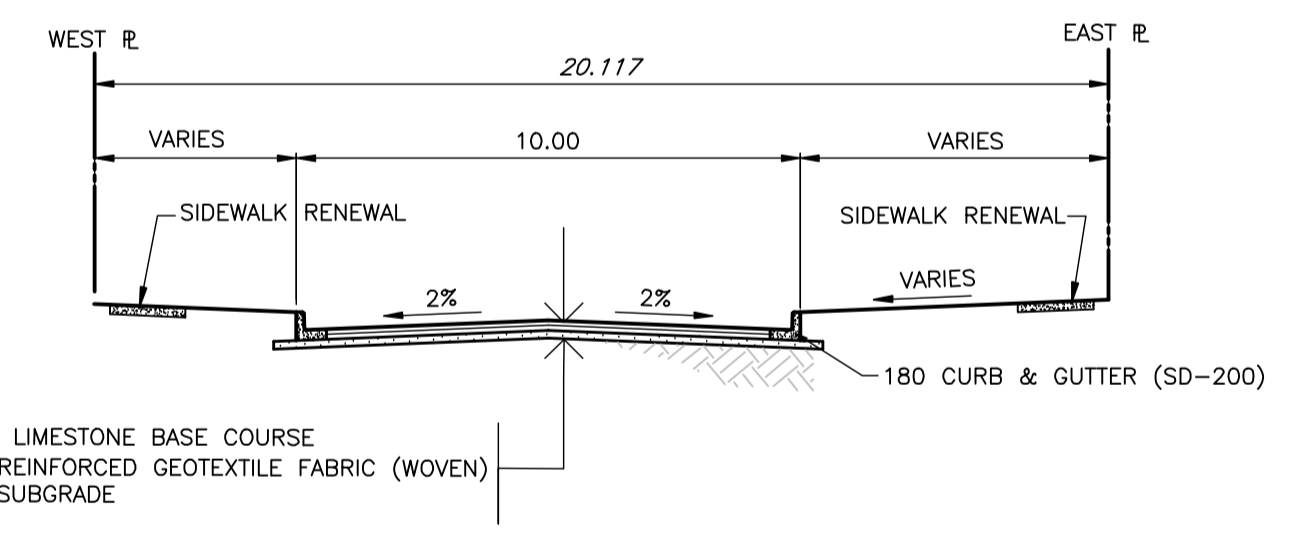


NOTE:
CHAINAGE IS ALONG CENTRELINE OF
OF SCOTIA STREET PROPOSED PAVEMENT.



SCOTIA STREET CROSS SECTION
STATION 2+12 TO STATION 2+61.12
HOR 1:150, VER 1:75

- CONSTRUCTION NOTES:
1. CONFIRM LOCATION OF ALL SEWER SERVICES WITHIN THE LIMITS OF REPAIR.
 2. CONFIRM LOCATION OF ALL REPAIRS PRIOR TO EXCAVATION.

APEGM
Certificate of Authorization
Wardrop Engineering Inc.
No. 186 Expiry: April 30, 2009

EXISTING	LEGEND-PLAN	PROPOSED	EXISTING	LEGEND-PLAN	PROPOSED	EXISTING	LEGEND-PLAN/PROFILE	PROPOSED
150 WM	WATERMAIN	150 WM	○	MANHOLE	●	---	GAS	---
400 FM	FEEDERMAIN	400 FM	□	CATCHBASIN	■	---	HYDRO	---
300 LDS	LAND DRAINAGE SEWER	300 LDS	▽	CURB INLET	▼	---	MTS	---
250 WWS	WASTEWATER SEWER	250 WWS	•	HYDRO POLE	•	×31.175	ELEVATION	(32.000)
300 CS	COMBINED SEWER	300 CS	—	LIGHT STANDARD	—	---	SIDEWALK	-----
200 FCM	FORCEMAIN	200 FCM	←	ANCHOR	←	---	CURB	-----
○	JUNCTIONS	○	○	TREE	○	---	ASPHALT	-----
◇	HYDRANT	◇	15.240	LEGAL DIMENSION	15.240	---	CONCRETE	-----
⊕	VALVE	⊕	⊕	SURVEY BAR	⊕	---		
⊕	CURB STOP	⊕	⊕	FENCE	⊕	---		

LOCATION APPROVED UNDERGROUND STRUCTURES

SUPV. U/G STRUCTURES COMMITTEE DATE

NOTE:
LOCATION OF UNDERGROUND STRUCTURES AS SHOWN ARE BASED ON THE BEST INFORMATION AVAILABLE. BUT NO GUARANTEE IS GIVEN THAT ALL EXISTING UTILITIES ARE SHOWN OR THAT THE GIVEN LOCATIONS ARE EXACT. CONFIRMATION OF EXISTENCE AND EXACT LOCATION OF ALL SERVICES MUST BE OBTAINED FROM THE INDIVIDUAL UTILITIES BEFORE PROCEEDING WITH CONSTRUCTION.

B.M. ELEV.	DATE	BY
00	ISSUED FOR TENDER	09.04.17 NH
NO.	REVISIONS	

WARDROP | Engineering Inc.

DESIGNED BY NH CHECKED BY

DRAWN BY GMD APPROVED BY

HOR. SCALE: 1 : 250
VERTICAL: 1 : 10

RELEASSED FOR CONSTRUCTION

CONSULTANT DRAWING NO. 0900070200-SKT-0007-00

PRELIMINARY DRAWING

NOT TO BE USED FOR CONSTRUCTION

THE CITY OF WINNIPEG
PUBLIC WORKS DEPARTMENT
ENGINEERING DIVISION

2009 LOCAL STREET RENEWALS PAVEMENT RECONSTRUCTION

SCOTIA STREET
19m NORTH OF KILBRIDE AVENUE TO SEMPLE AVENUE
STA 2+00 TO STA 2+61.12

CITY DRAWING NUMBER
SHEET 7 OF 21
C0007