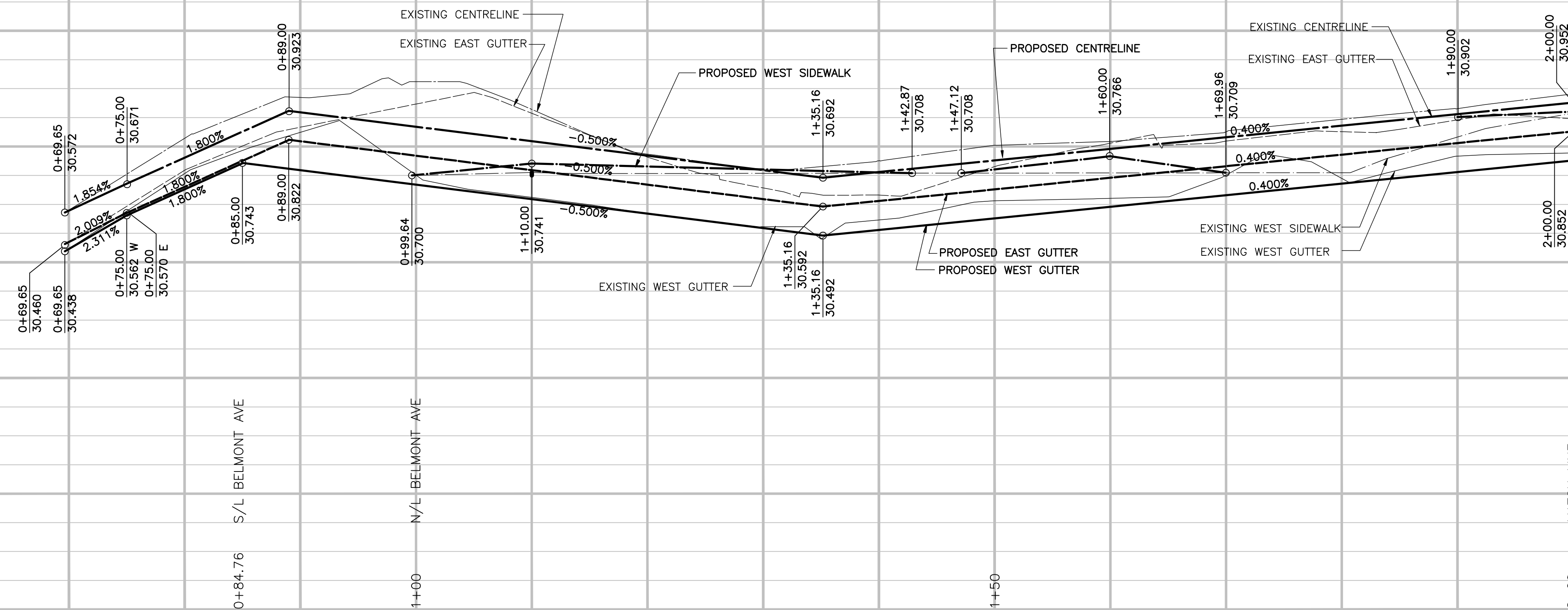
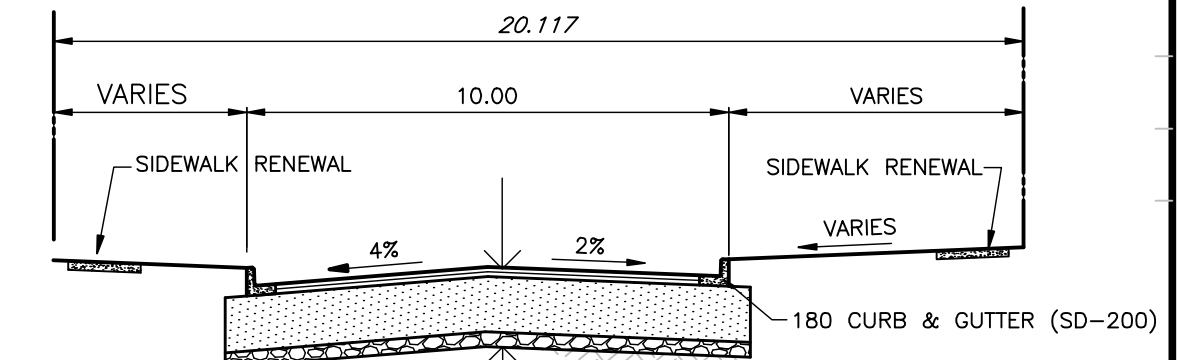


233.4
231.2
231.0
230.8
230.6
230.4
230.2
230.0

233.4
231.2
231.0
230.8
230.6
230.4
230.2
230.0

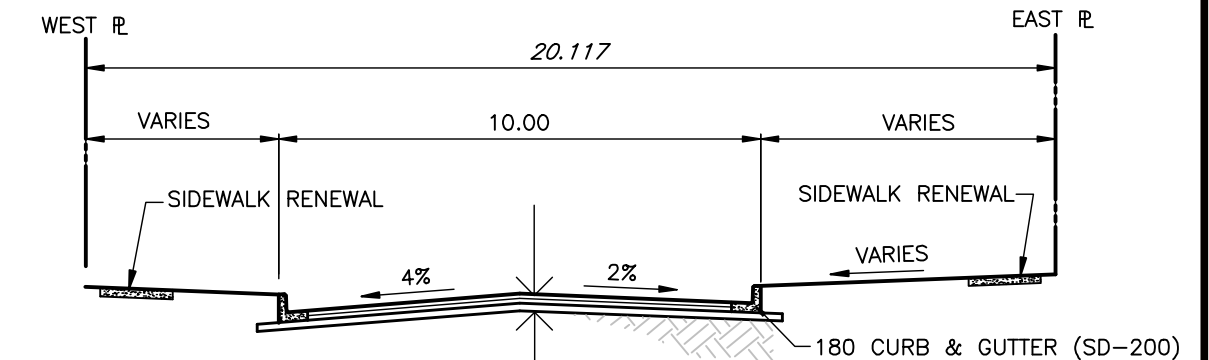


NOTE:
CHAINAGE IS ALONG CENTRELINE OF
OF SCOTIA STREET PROPOSED PAVEMENT.



100 ASPHALT
75 CRUSHED LIMESTONE BASE COURSE
150 - 50 CRUSHED LIMESTONE SUBBASE
SEPARATION/REINFORCED GEOTEXTILE FABRIC (WOVEN)
COMPACTED SUBGRADE

SCOTIA STREET CROSS SECTION
STATION 0+70 TO 1+70
HOR 1:150, VER 1:75

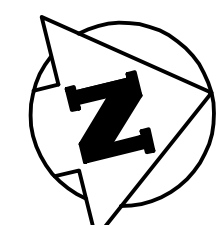
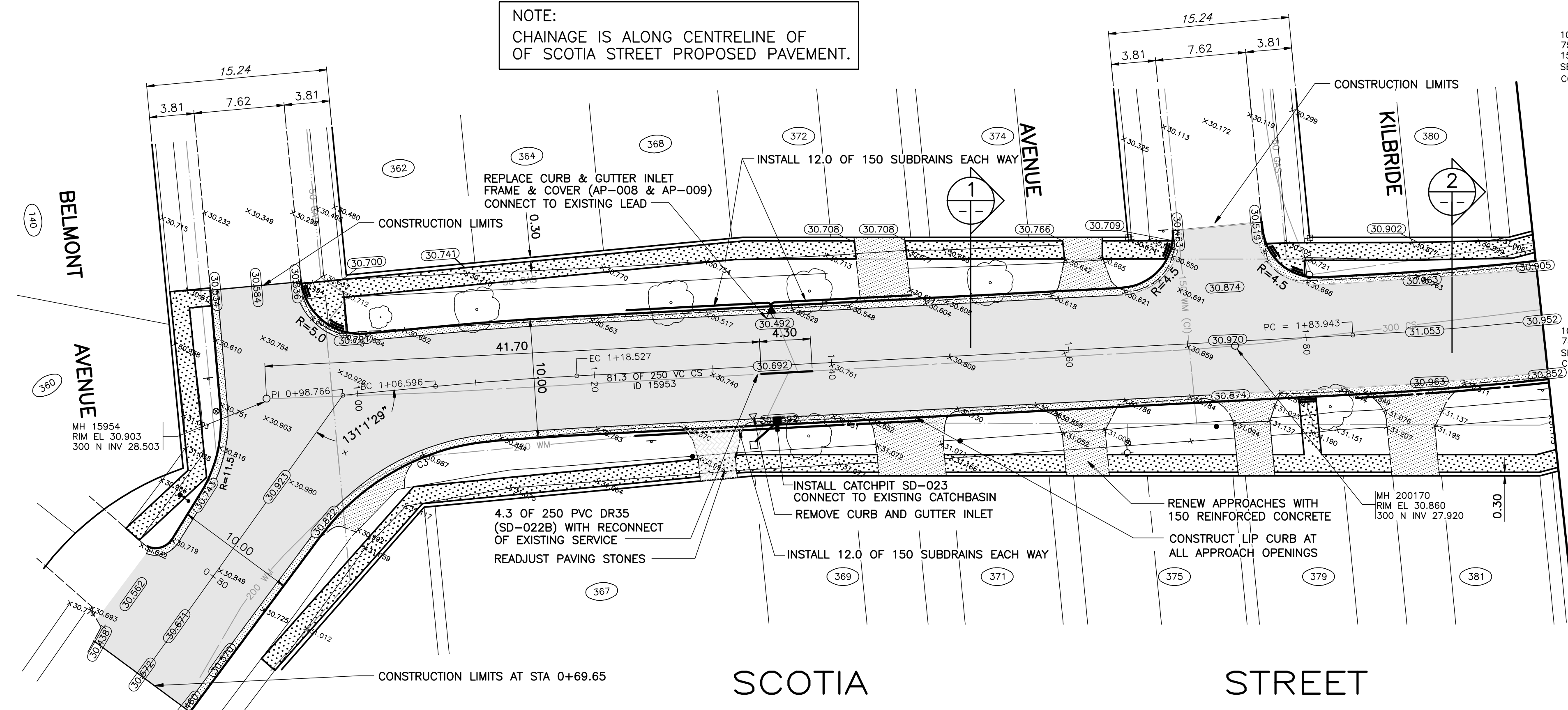


100 ASPHALT
75 CRUSHED LIMESTONE BASE COURSE
150 - 50 CRUSHED LIMESTONE SUBBASE
SEPARATION/REINFORCED GEOTEXTILE FABRIC (WOVEN)
COMPACTED SUBGRADE

SCOTIA STREET CROSS SECTION
STATION 1+70 TO STATION 2+12
HOR 1:150, VER 1:75

- CONSTRUCTION NOTES:
1. CONFIRM LOCATION OF ALL SEWER SERVICES WITHIN THE LIMITS OF REPAIR.
 2. CONFIRM LOCATION OF ALL REPAIRS PRIOR TO EXCAVATION.

CIRCULAR CURVE DATA				
CURVE	RADIUS	TANGENT	DELTA	LENGTH
C1	300.00	5.97	2°16'43"	11.93
C2	300.00	12.50	4°46'16"	24.98
C3	20.00	8.35	45°19'07"	15.82



EXISTING	LEGEND-PLAN	PROPOSED	EXISTING	LEGEND-PLAN	PROPOSED	EXISTING	LEGEND-PLAN/PROFILE	PROPOSED
150 WM	WATERMAIN	150 WM	○	MANHOLE	●	---	GAS	---
400 FM	FEEDERMAIN	400 FM	□	CATCHBASIN	■	---	HYDRO	---
300 LDS	LAND DRAINAGE SEWER	300 LDS	▽	CURB INLET	▼	---	MTS	---
250 WWS	WASTEWATER SEWER	250 WWS	•	HYDRO POLE	•	×31.175	ELEVATION	(32.000)
300 CS	COMBINED SEWER	300 CS	+	LIGHT STANDARD	+	---	SIDEWALK	---
200 FCM	FORCEMAIN	200 FCM	+	ANCHOR	+	---	CURB	---
+	JUNCTIONS	+	+	TREE	+	---	ASPHALT	---
⊕	HYDRANT	⊕	⊕	LEGAL DIMENSION	⊕	---	CONCRETE	---
⊕	VALVE	⊕	⊕	SURVEY BAR	⊕	---		
⊕	CURB STOP	⊕	⊕	FENCE	⊕	---		
---	LEGEND-PLAN	---	---	LEGEND-PLAN	---	---		

LOCATION APPROVED UNDERGROUND STRUCTURES

SUPV. U/G STRUCTURES DATE COMMITTEE

NOTE:
LOCATION OF UNDERGROUND STRUCTURES AS SHOWN ARE BASED ON THE BEST INFORMATION AVAILABLE. BUT NO GUARANTEE IS GIVEN THAT ALL EXISTING UTILITIES ARE EXACT. CONFIRMATION OF EXISTENCE AND EXACT LOCATION OF ALL SERVICES MUST BE OBTAINED FROM THE INDIVIDUAL UTILITIES BEFORE PROCEEDING WITH CONSTRUCTION.

B.M. ELEV.	DATE	BY	
00	ISSUED FOR TENDER	09.04.17	NH
NO.	REVISIONS	DATE	BY

WARDROP Engineering Inc.

DESIGNED BY: NH
CHECKED BY: []
DRAWN BY: GMD
APPROVED BY: []
HOR. SCALE: 1 : 250
VERTICAL: 1 : 10
RELEASED FOR CONSTRUCTION DATE: 09.02.01

PRELIMINARY DRAWING

NOT TO BE USED FOR CONSTRUCTION

CONSULTANT DRAWING NO. 0900070200-SKT-C0006-00

THE CITY OF WINNIPEG
PUBLIC WORKS DEPARTMENT
ENGINEERING DIVISION

2009 LOCAL STREET RENEWALS PAVEMENT RECONSTRUCTION

CITY DRAWING NUMBER: 6 OF 21
SHEET: 6 OF 21
C0006

SCOTIA STREET
BELMONT AVENUE TO
STA 0+69.65 TO STA 2+00