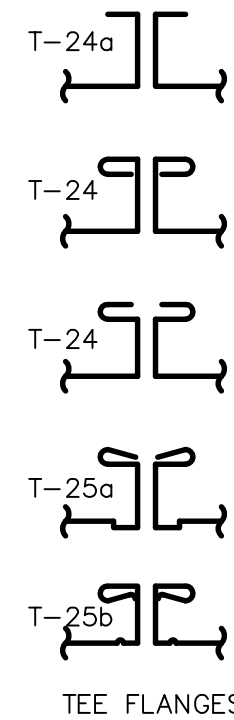
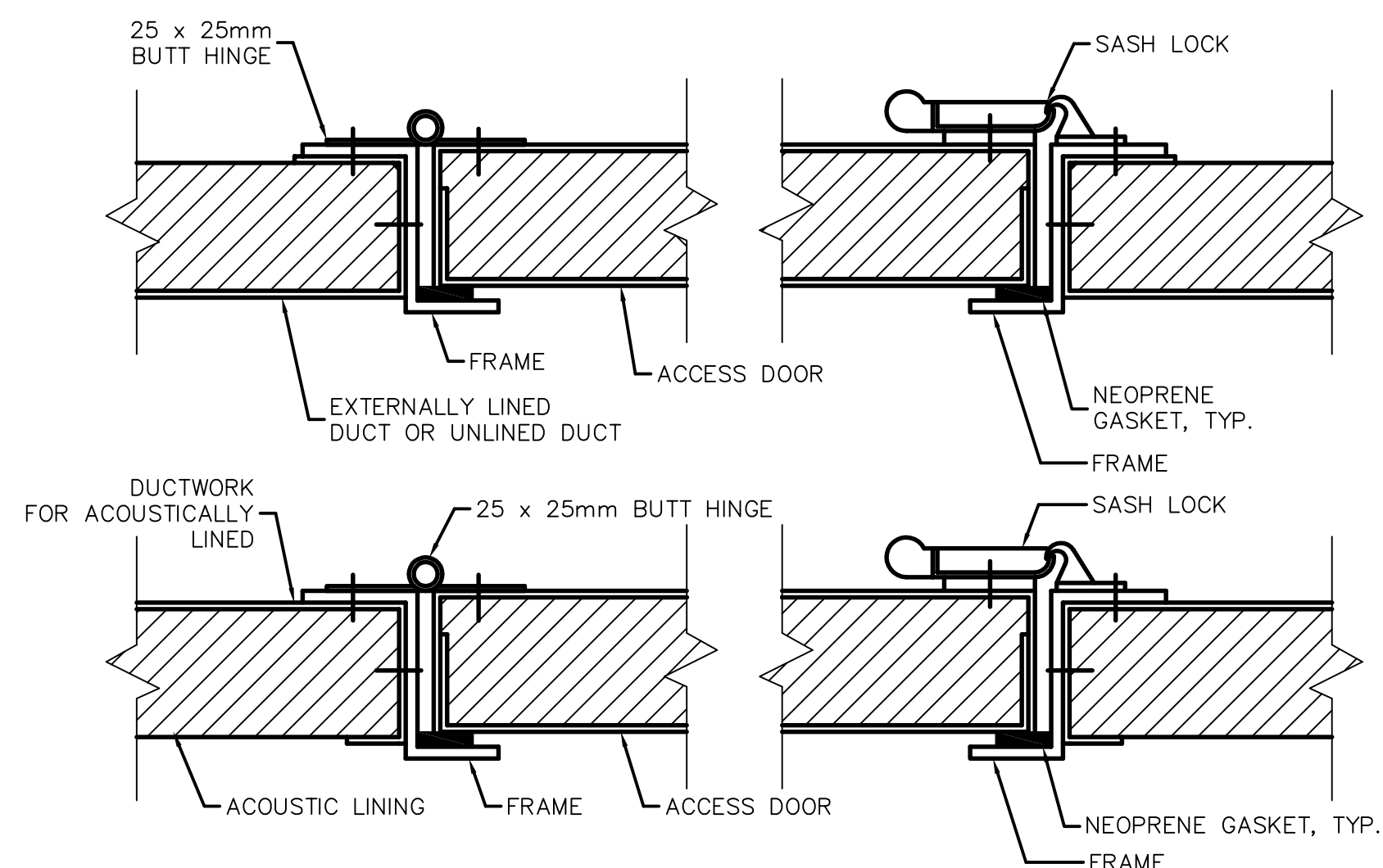


NOTES:
 SECURELY ATTACH ADDITIONAL METAL CLIPS ON FLANGES AT 380 mm MAXIMUM CENTRES FOR 750 Pa STATIC OR LESS AND AT 300 mm MAXIMUM CENTRES FOR HIGHER PRESSURES. 0.85 mm MINIMUM.
 CONTINUOUS CLEATS MAY BE USED.



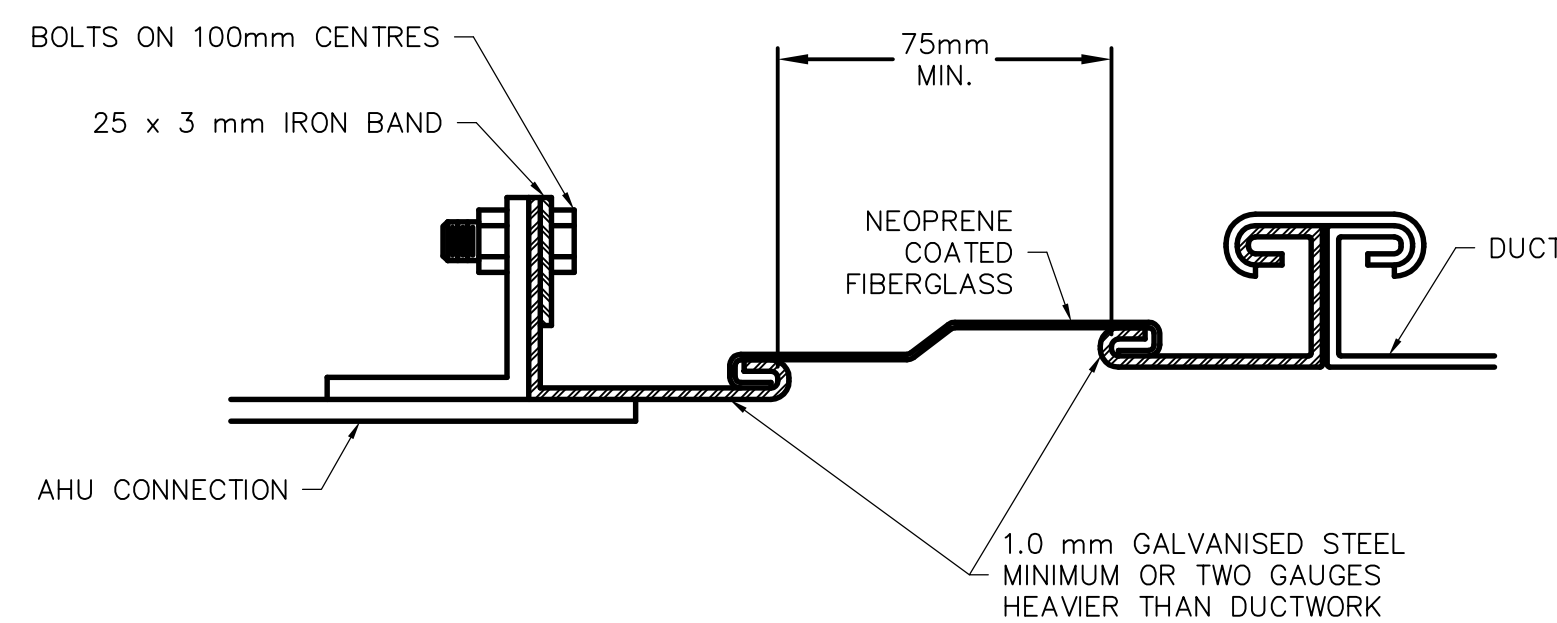
1 SQUARE/RECTANGULAR DUCTWORK CONSTRUCTION DETAIL
 M05 SCALE N.T.S.



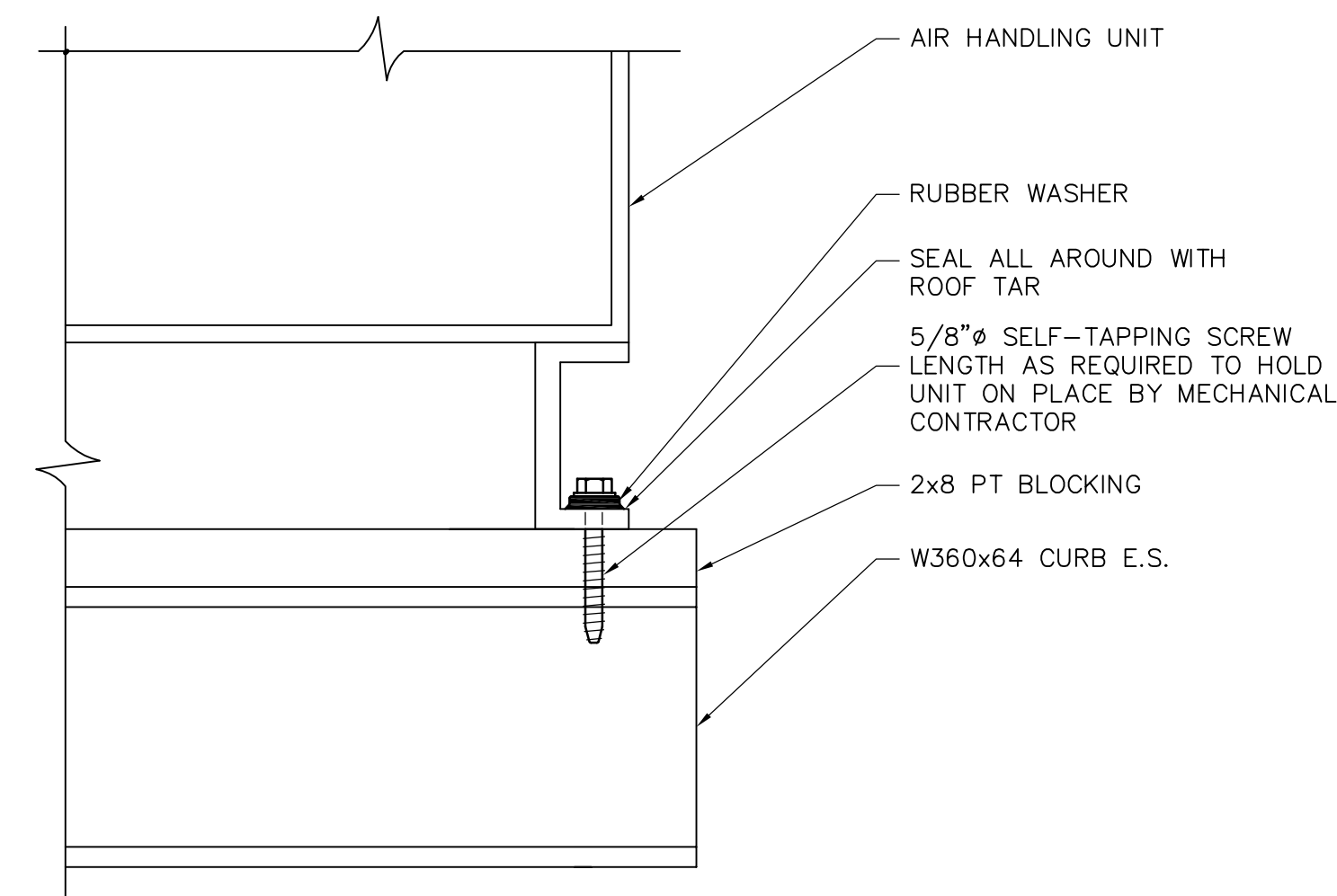
STATIC PRESSURE RATING	DOOR SIZE	HINGE QTY.	LOCK QTY.	METAL GAUGE		
				FRAME	DOOR	BACK
500 Pa & LESS	300 x 300	2	1-S	24	26	26
	400 x 500	2	2-S	22	24	26
	600 x 600	3	2-S	22	22	26
UP TO 750 Pa	300 x 300	2	1-S	22	22	26
	400 x 500	2	1-S,1-T,1-B	20	20	26
	600 x 600	3	2-S,1-T,1-B	20	20	24
1000 Pa to 2500 Pa	300 x 300	2	1-S,1-T,1-B	20	20	26
	400 x 500	3	2-S,1-T,1-B	20	18	24
	600 x 600	3	2-S,2-T,2-B	18	18	24

S: SIDE OPPOSITE HINGE, T: TOP, B: BOTTOM

3 DUCT ACCESS DOOR DETAILS
 M05 SCALE N.T.S.



4 FLEXIBLE DUCT FAN CONNECTION DETAIL
 M05 SCALE N.T.S.



5 BASE RAIL MOUNTING DETAIL
 M05 SCALE N.T.S.

00	ISSUED FOR TENDER	DC	2009.04.15
NO.	REVISION/DESCRIPTION	BY	DATE

AECOM

DRAWN BY	DL	CHECKED BY	APPROVED
DATE	2009.03.09	USER APPROVAL	

CITY OF WINNIPEG
 PLANNING, PROPERTY AND DEVELOPMENT DEPARTMENT
 CIVIC ACCOMMODATIONS DIVISION
 300 - 65 GARRY ST. R3C 4K4

PROJECT
 MILLENNIUM LIBRARY
 NOISE ABATEMENT
 PHASE 1 - BID OPP. NO. 182-2009
 251 DONALD STREET, WINNIPEG, MANITOBA

SHEET TITLE
 MECHANICAL
 DETAILS

APEGM
 Certificate of Authorization
 AECOM Canada Ltd.
 Original dated on:
 No. 4671 Date:

SCALE	PROJECT NO.	SHEET NO.
AS SHOWN	2007-003	M05