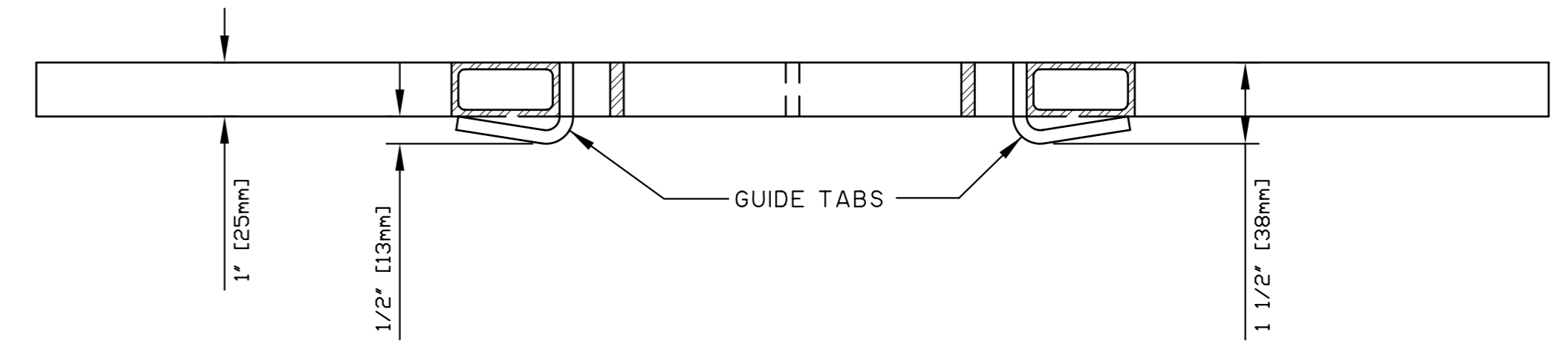
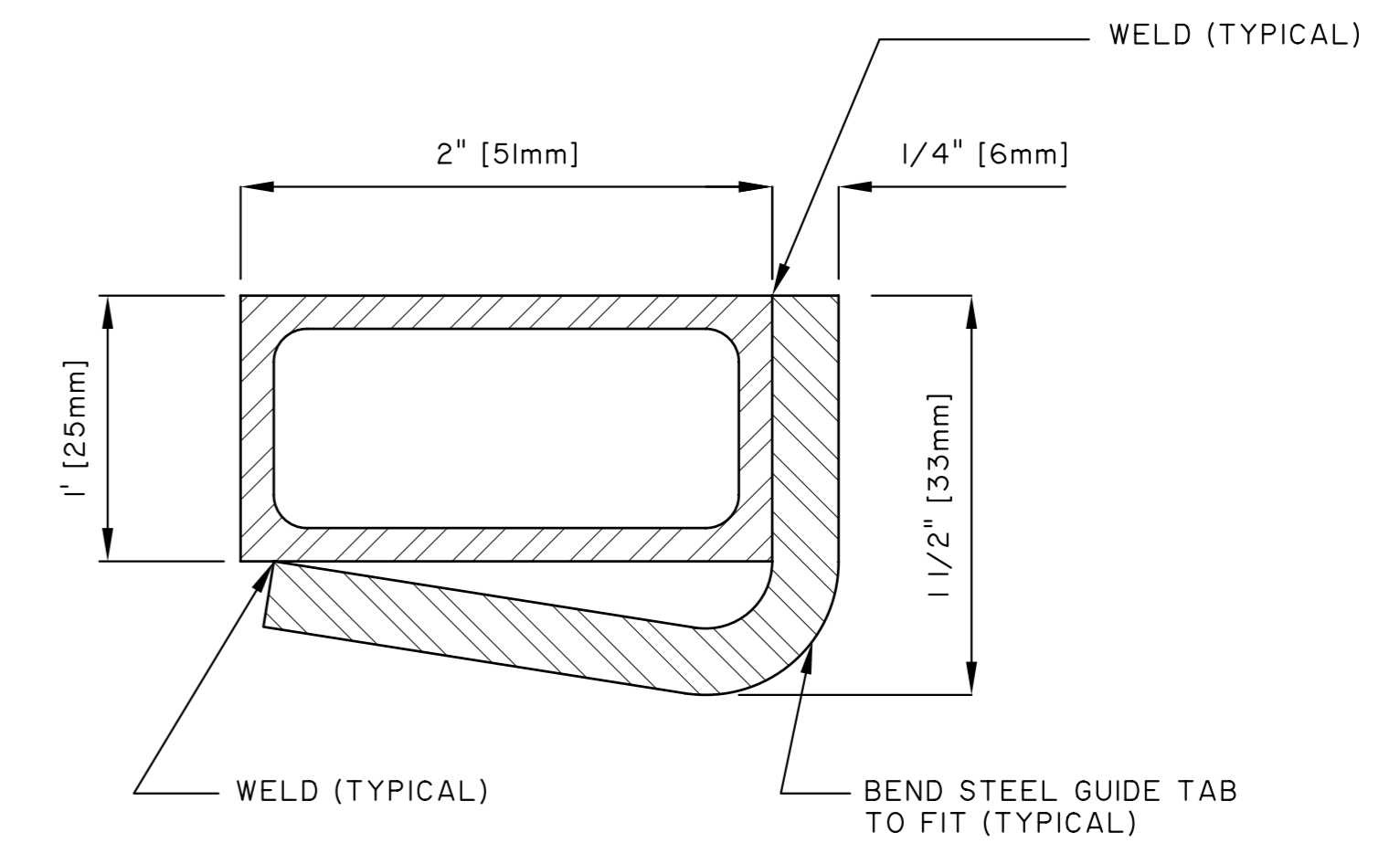


PLAN VIEW
SCALE 3" = 1'-0"



SECTION A - A
SCALE 3" = 1'-0"



SECTION B - B
SCALE 1" = 1"


NOTES:

1. ALL WELDS ON TOP & BOTTOM SURFACES SHALL BE CONTINUOUS AND GROUND SMOOTH.
2. IMPERIAL ARE IN WHOLE NUMBERS AND METRIC NUMBERS ARE IN BRACKETS.
3. ANCHOR BOLT TEMPLATES TO BE SUPPLIED BY THE CITY OF WINNIPEG, TRAFFIC SIGNALS.
4. COPIES OF ORIGINAL DRAWINGS AVAILABLE FROM TRAFFIC SIGNALS.

NO.	REVISIONS	DATE	BY

REFERENCE SPEC. NO.	
CW 3620	
DESIGNED BY	CHECKED BY
DRAWN BY lwb	SCALE AS NOTED
APPROVED BY	
_____ DATE _____	

ENGINEER'S SEAL


THE CITY OF WINNIPEG
PUBLIC WORKS DEPARTMENT
TRANSPORTATION DIVISION

40' (12.19m.) & 50' (15.24m.) POLE
BASE ANCHOR BOLT TEMPLATE

SHEET OF
 CAD FILE DRAWING NUMBER
 CITY DRAWING NUMBER
ST - 179