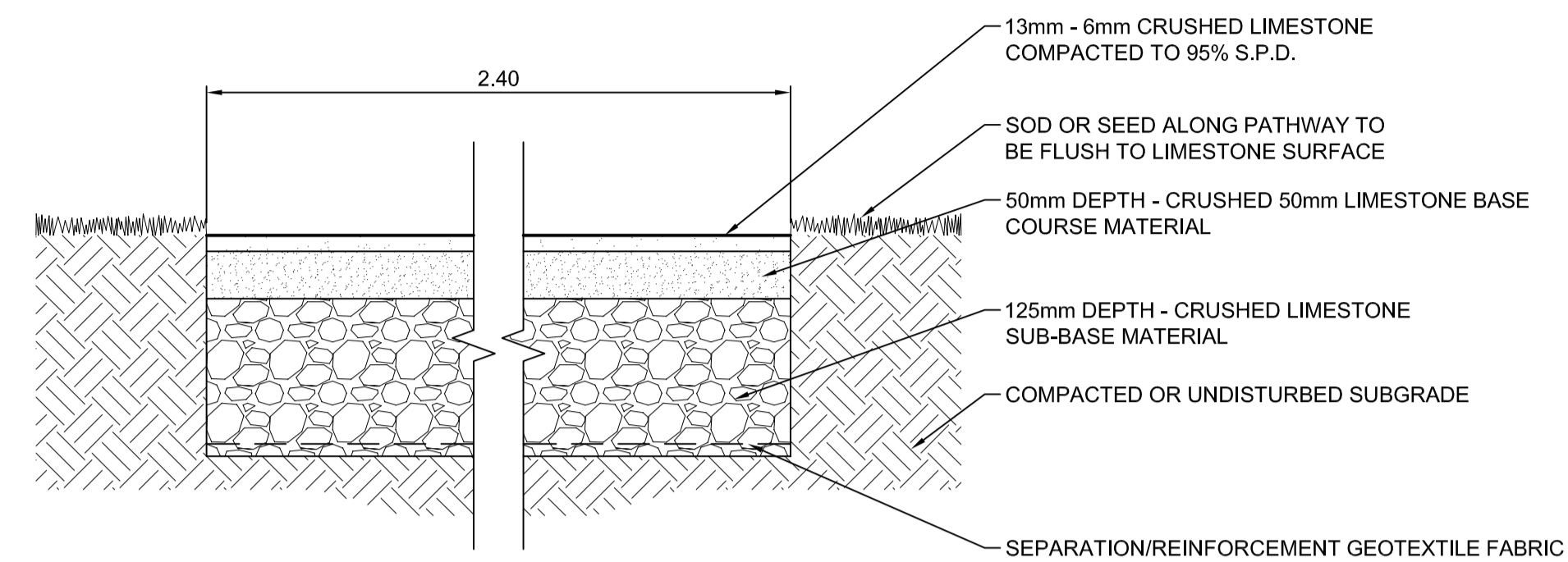
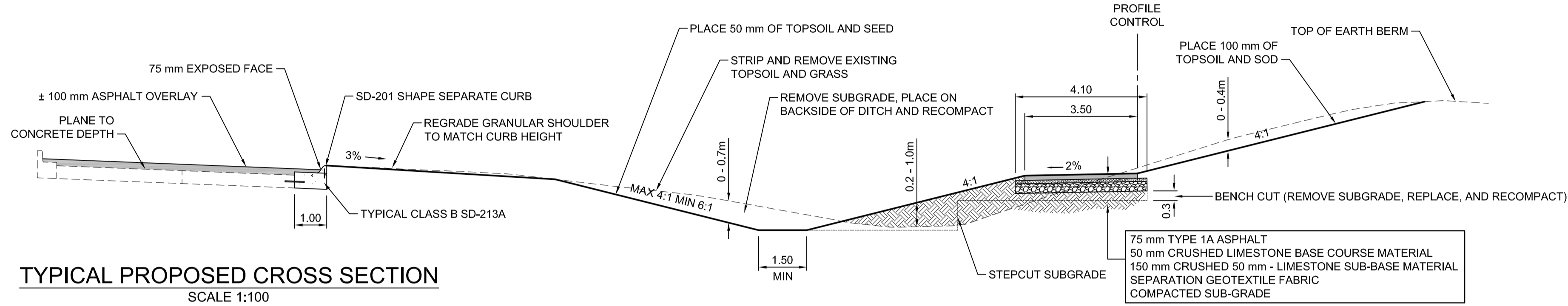


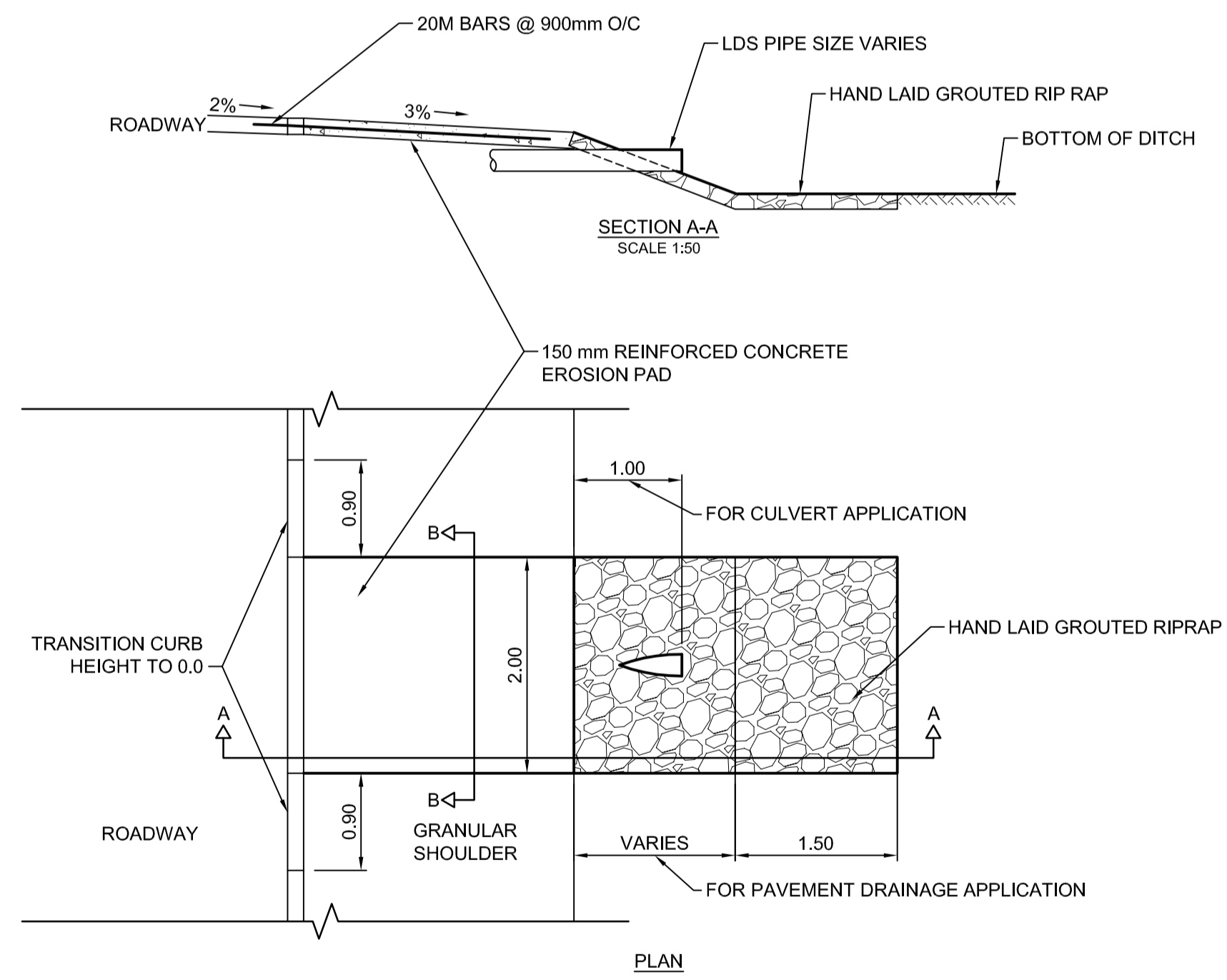
TYPICAL EXISTING CROSS SECTION
SCALE 1:100



1 CRUSHED LIMESTONE PATHWAY
SCALE 1:5

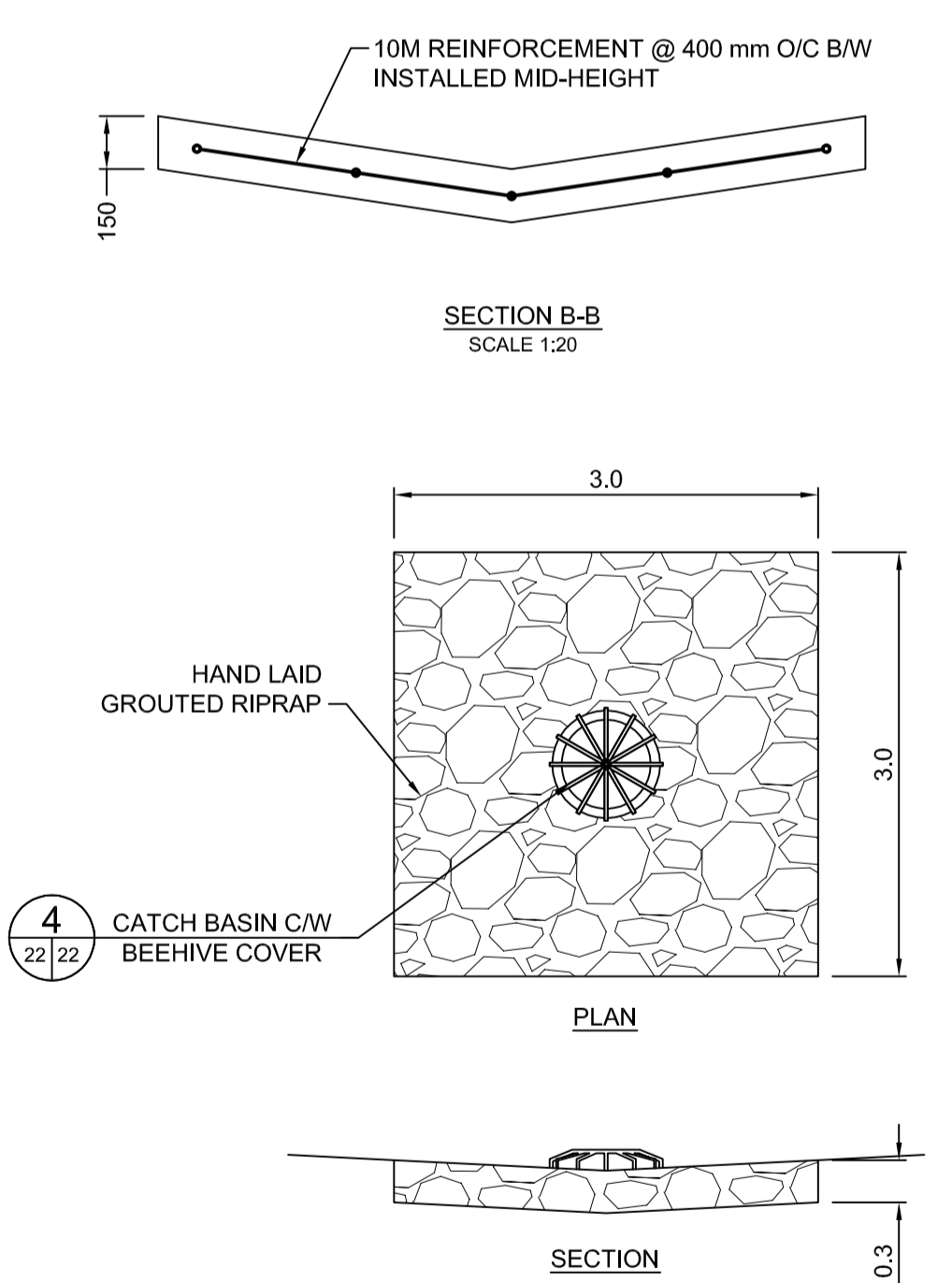


TYPICAL PROPOSED CROSS SECTION
SCALE 1:100



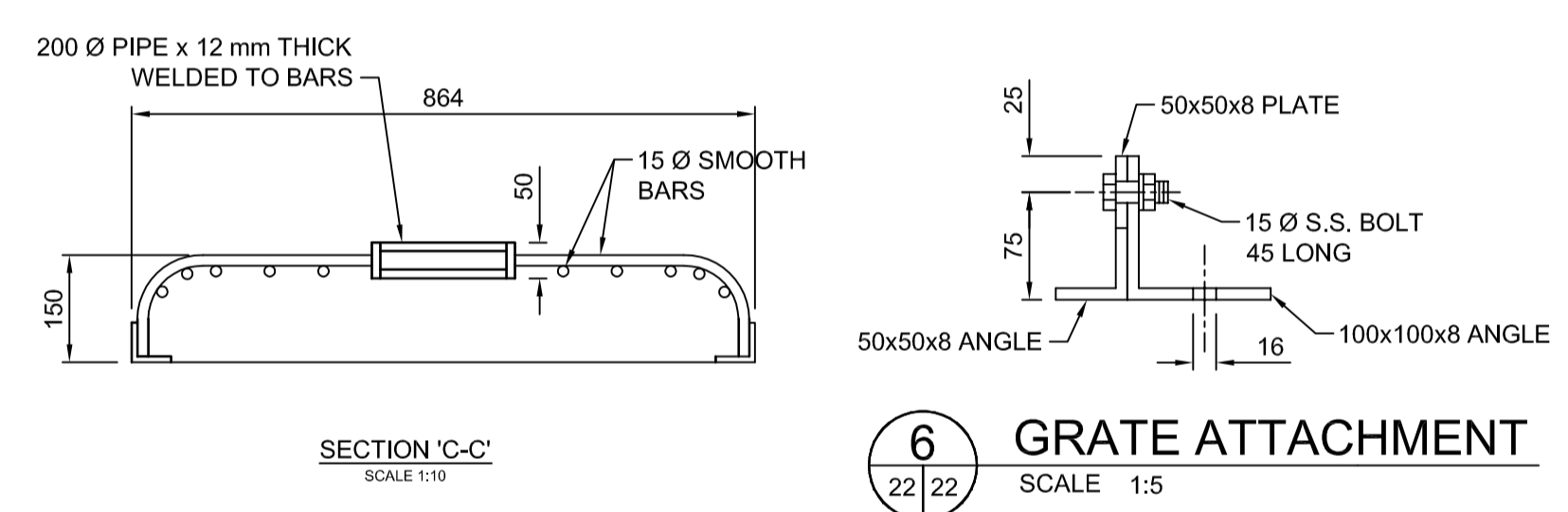
GRouted RIPRAP Erosion Pad for Culvert Outlet or Pavement Drainage Swale

2, 4, 5, 6, 8-10, 12, 14, 15, 18
2
SCALE 1:50

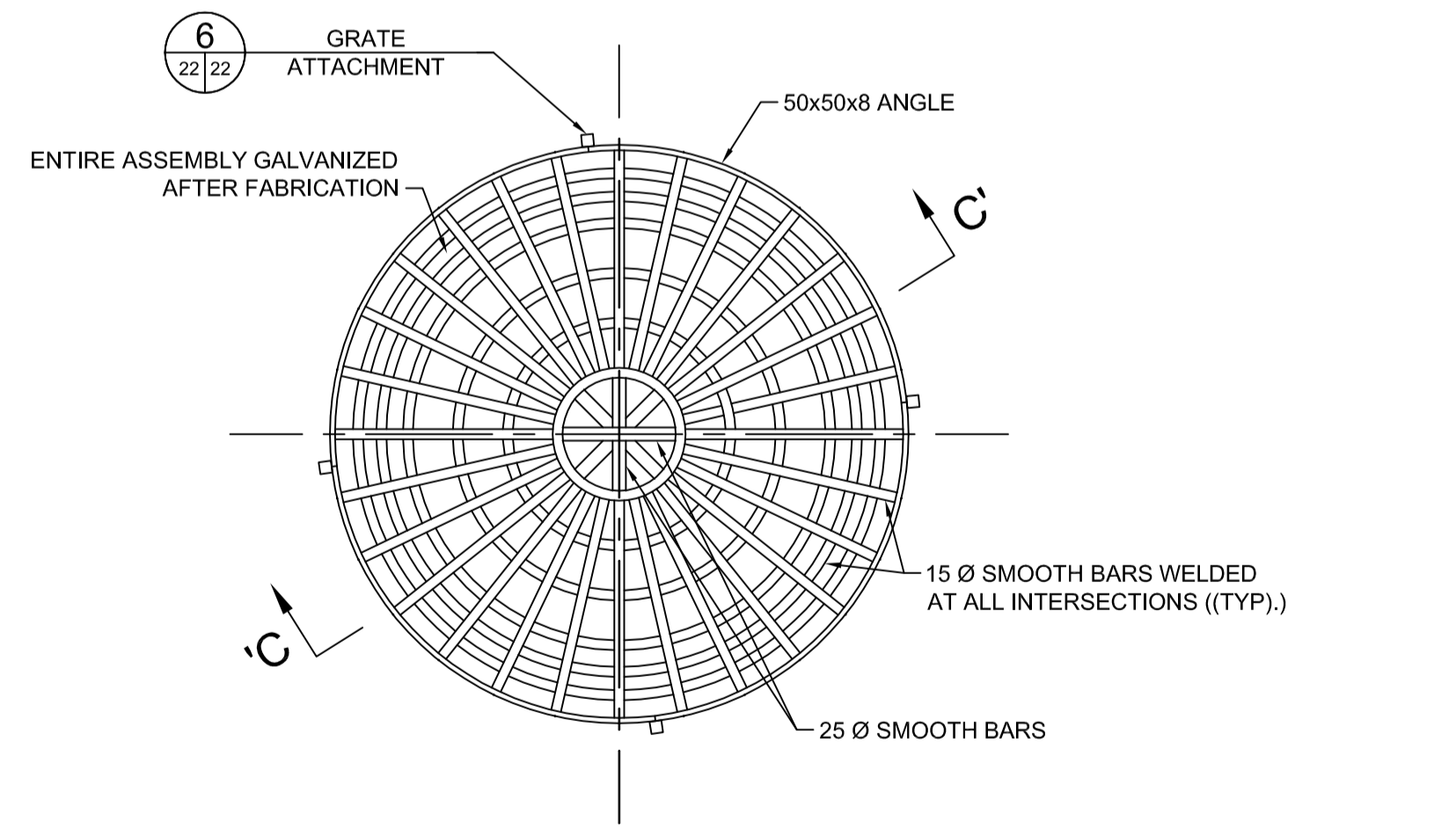


3 RIPRAP PAD AT DITCH CATCH BASIN

9
3
SCALE 1:50

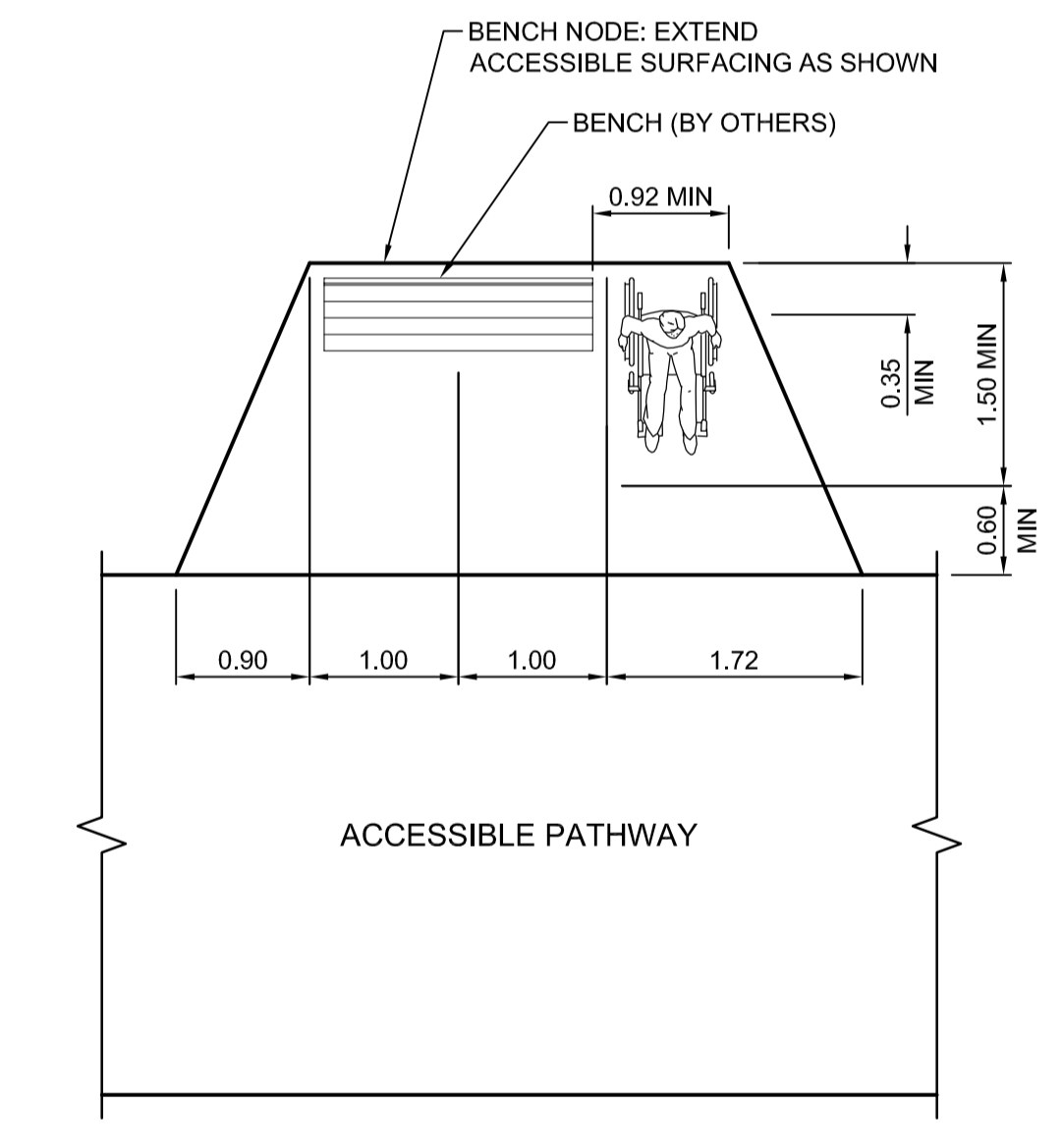


6 GRATE ATTACHMENT
SCALE 1:5



4 DITCH INLET "BEEHIVE" COVER

22
4
SCALE 1:10



5 ACCESSIBLE BENCH NODE

13-15, 17, 19
5
SCALE 1:50

G:\CAD\081175\Contract\Current\Roadway\081175-BISHOP-PAVEMENT.dwg

150 WM	WATERMAIN	150 WM	HYDRO	HYDRO	HYDRO	150 mm W.M.	WATERMAIN	150 mm W.M.
⊕	HYDRANT VALVE	⊕	MTS	MTS	MTS	+	HYDRANT VALVE	+
⊗	LAND DRAINAGE SEWER	⊗	---	---	---	---	LAND DRAINAGE SEWER	---
⊙	WASTE WATER SEWER	⊙	---	---	---	---	WASTE WATER SEWER	---
○	MANHOLE	●	---	---	---	---	MANHOLE	---
□	CATCH BASIN	■	---	---	---	---	CATCH BASIN	---
▽	CURB INLET	▼	---	---	---	---	CURB INLET	---
+	JUNCTIONS	+	---	---	---	---	JUNCTIONS	---
⊕	CULVERT	⊕	---	---	---	---	CULVERT	---
⊕	100 GAS	⊕	---	---	---	---	100 GAS	---
---	EXISTING	---	---	---	---	---	LEGEND-PLAN	---
---	LEGEND-PLAN	---	---	---	---	---	LEGEND-PROFILE	---

UNDERGROUND STRUCTURES	B.M. ELEV.
SUPPLY, U/G STRUCTURES COMMITTEE	DATE
NOTE:	
LOCATION OF UNDERGROUND STRUCTURES AS SHOWN ARE BASED ON THE BEST INFORMATION AVAILABLE, BUT NO GUARANTEE IS GIVEN THAT ALL EXISTING UTILITIES ARE SHOWN OR THAT THE GIVEN LOCATIONS ARE EXACT. CONFIRMATION OF EXISTENCE AND EXACT LOCATION OF ALL SERVICES MUST BE OBTAINED FROM THE INDIVIDUAL UTILITIES BEFORE PROCEEDING WITH CONSTRUCTION.	
3 ISSUED FOR TENDER	04-29-09 TJH
2 ISSUED FOR REVIEW	03-20-09 TJH
1 ISSUED FOR 50% REVIEW	03-05-09 TJH
NO. REVISIONS	DATE BY

DESIGNED BY	SPC
DRAWN BY	TJH
CHECKED BY	DBW
APPROVED BY	DPK
HOR. SCALE	1:250
VERTICAL	
RELEASED FOR CONSTRUCTION	DATE

ENGINEER'S SEAL
PROVINCE OF MANITOBA
REGISTERED PROFESSIONAL ENGINEER
D.B. WIEBE
04/29/09
Member 22480

THE CITY OF WINNIPEG
PUBLIC WORKS DEPARTMENT

BISHOP GRANDIN BLVD - EASTBOUND
LAKEWOOD TO LAGIMODIERE

CITY DRAWING NUMBER
P-3300-22
SHEET 22 OF 27
CONSULTANT DRAWING NUMBER

SECTIONS AND DETAILS

APEGM
Certificate of Authorization
Dillon Consulting Limited (MB)
No. 1789 Date: _____