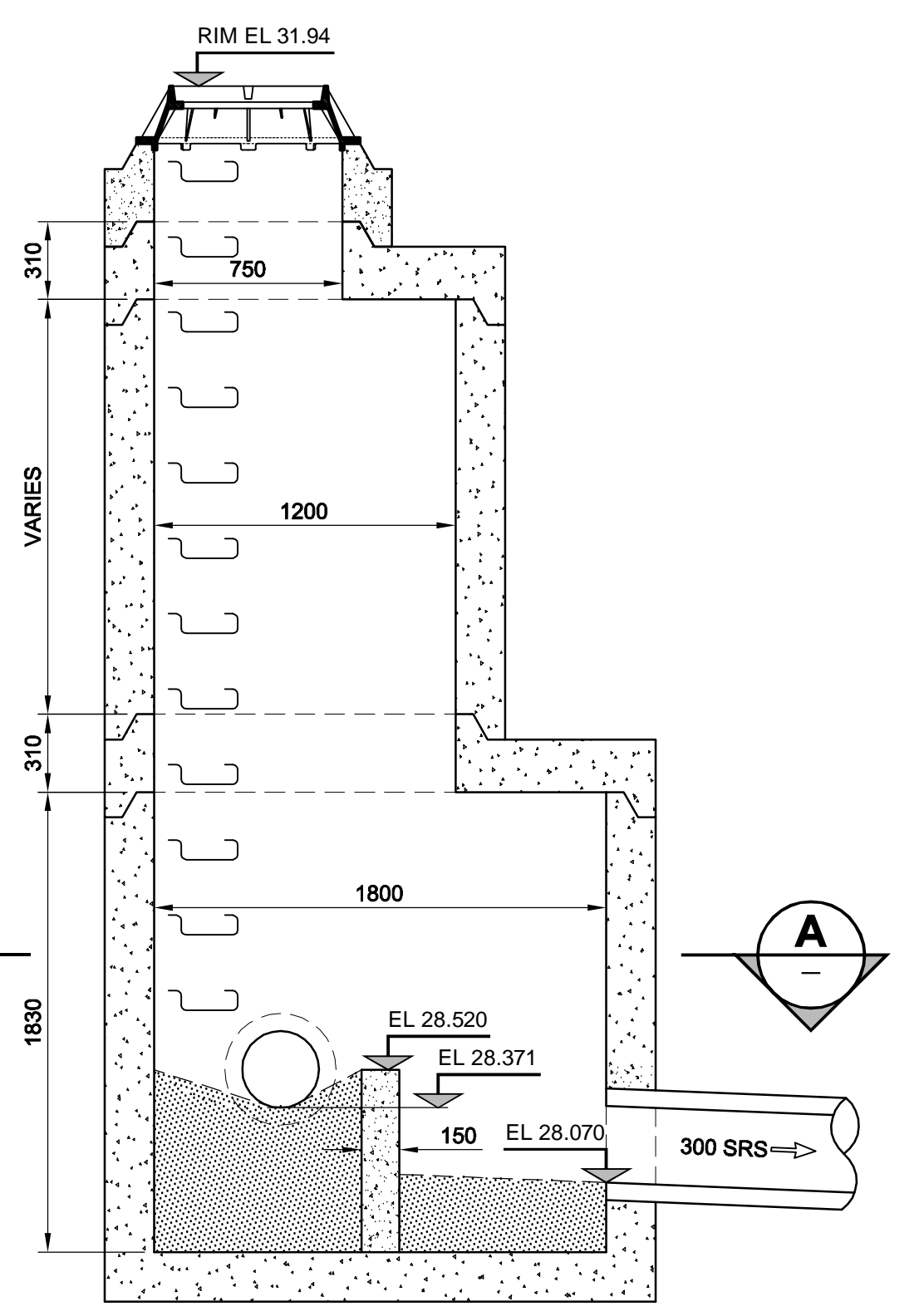
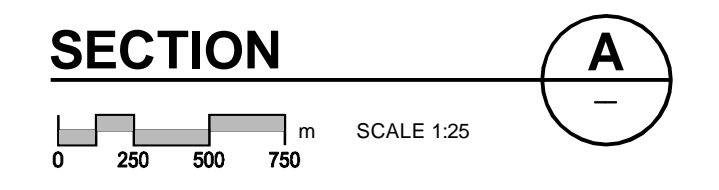
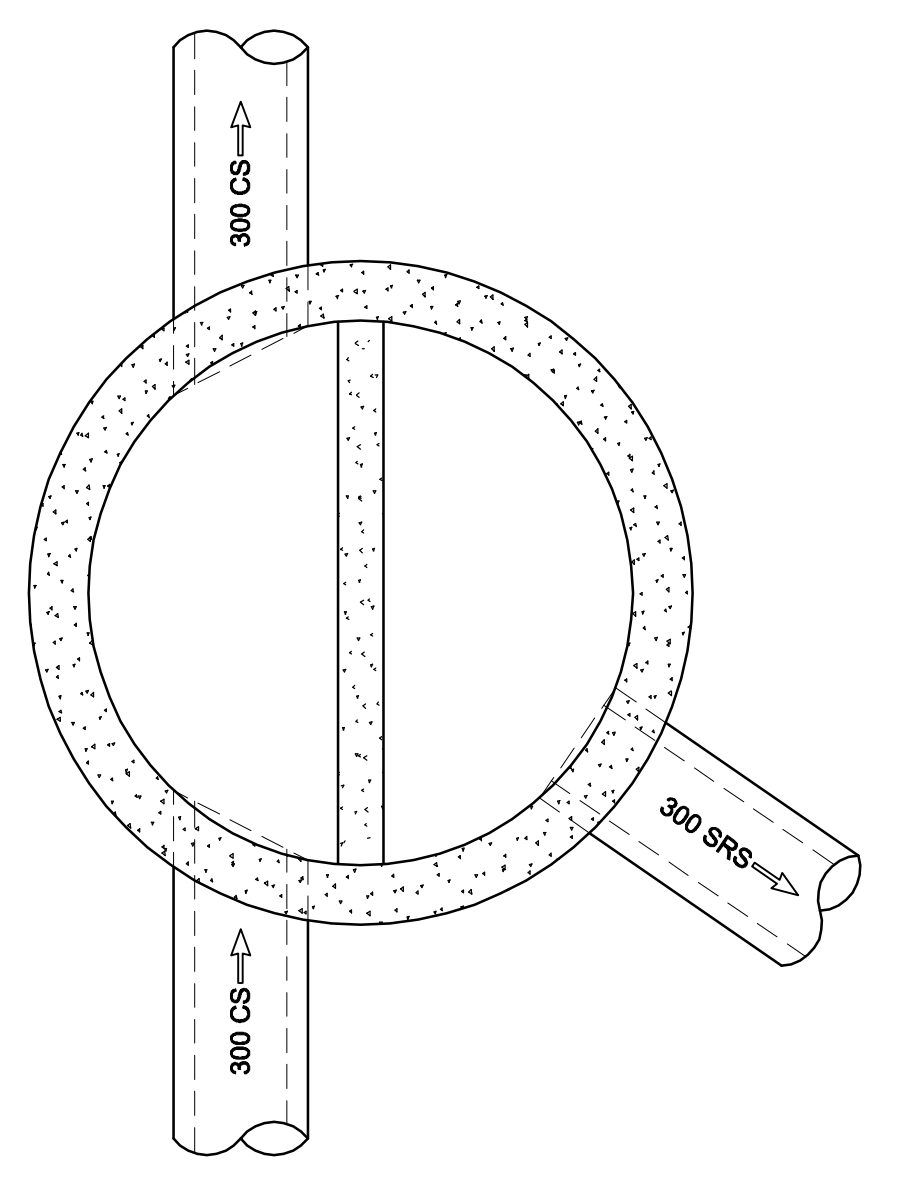
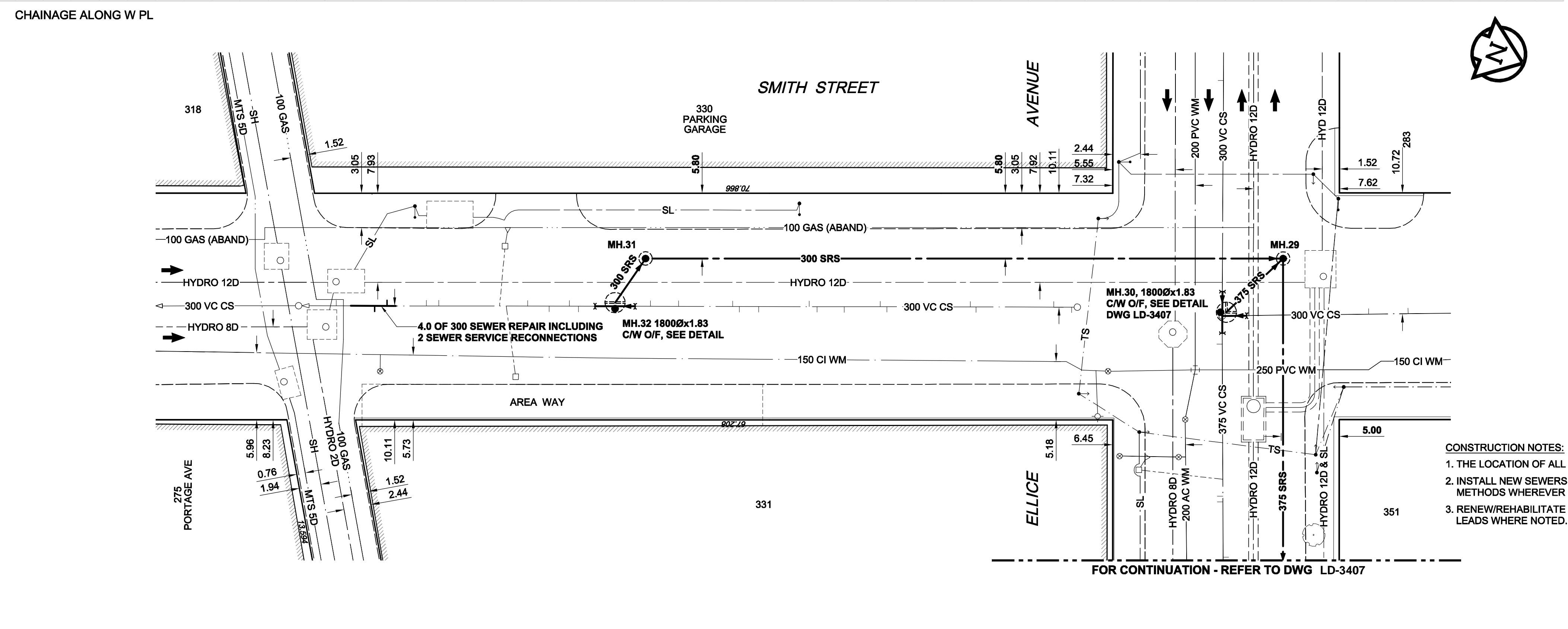
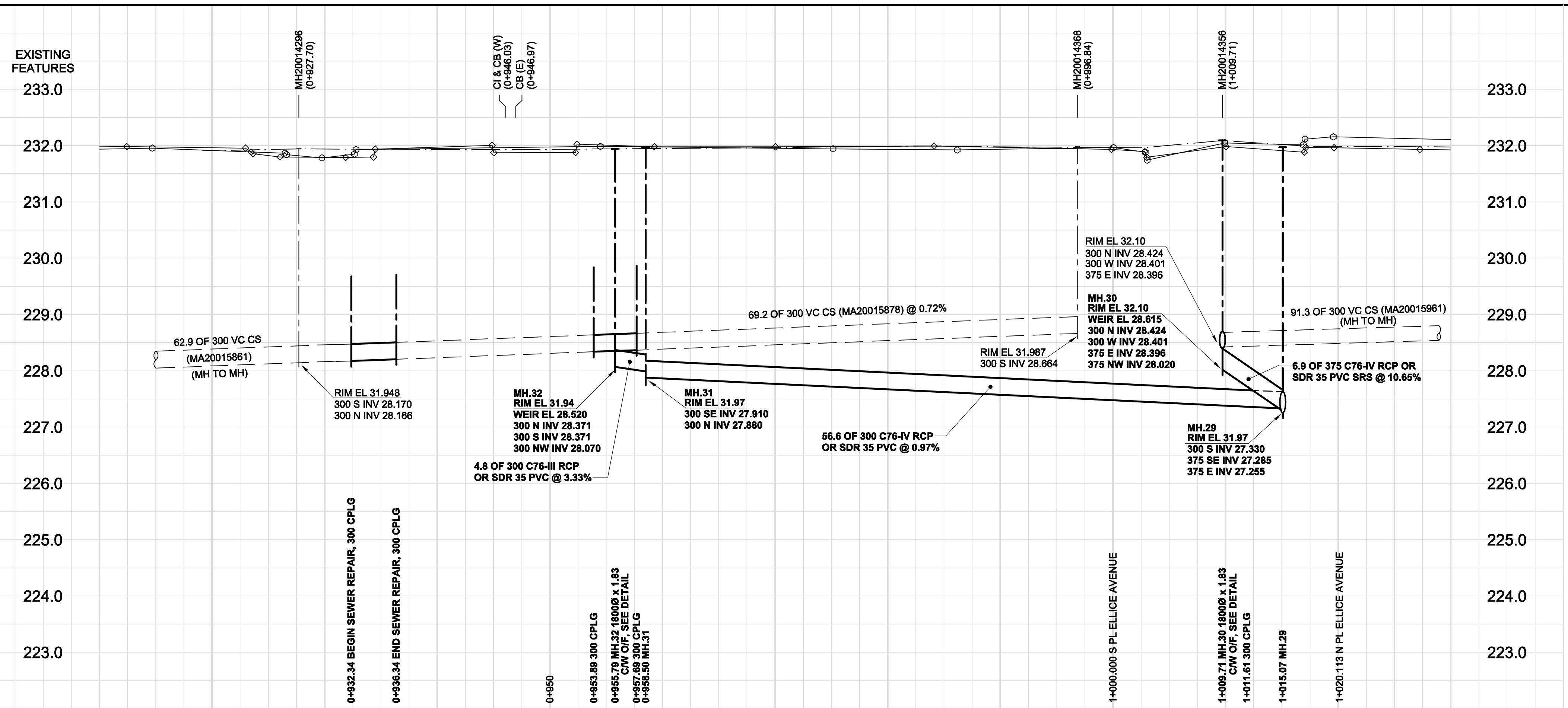


D SIZE 22" x 34" (559mm x 864mm)

PLOT: 09/03/11 10:45:44 AM

WMA FILE NAME: D265-177-08_01-C-1012_RX.dwg Saved By: AECOM REVIEW DRFT CHK Wjd



TYPICAL MANHOLE REQUIREMENTS AS PER SD-010

SCALE 1:25

- CONSTRUCTION NOTES:**
1. THE LOCATION OF ALL SERVICES IS TO BE CONFIRMED IN THE FIELD.
 2. INSTALL NEW SEWERS AND CATCHBASIN LEADS BY TRENCHLESS METHODS WHEREVER POSSIBLE.
 3. RENEW/REHABILITATE CATCHBASINS & RENEW CATCHBASIN LEADS WHERE NOTED.

AECOM
Certificate of Authorization
AECOM Canada Ltd.
No. 4671 Date: March 10, 2009

BID OPPORTUNITY NO. 12-2009

150 mm WM	WATERMAIN	150 mm WM	CURB STOP	150 mm WM	WATERMAIN	150 mm WM	LOCATION APPROVED
300 mm LDS	HYDRANT	300 mm LDS	REDUCER	300 mm LDS	HYDRANT	300 mm LDS	UNDERGROUND STRUCTURES
250 mm WWS	VALVE	250 mm WWS	COUPLING	250 mm WWS	VALVE	250 mm WWS	
	LAND DRAINAGE SEWER		ANODE		LAND DRAINAGE SEWER		SUPR. U/G STRUCTURES DATE COMMITTEE
	WASTE WATER SEWER		HYDRO		WASTE WATER SEWER		NOTE:
	MANHOLE		MTS		PAVEMENT CROWN		LOCATION OF UNDERGROUND STRUCTURES AS SHOWN ARE BASED ON THE BEST INFORMATION AVAILABLE. BUT NO GUARANTEE IS GIVEN THAT ALL EXISTING UTILITIES ARE SHOWN OR THAT THE GIVEN LOCATIONS ARE EXACT. CONFIRMATION OF EXISTENCE AND EXACT LOCATION OF ALL SERVICES MUST BE OBTAINED FROM THE INDIVIDUAL UTILITIES BEFORE PROCEEDING WITH CONSTRUCTION.
	CATCH BASIN		GAS		N/W PROPERTY LINE		
	CURB INLET		TESTHOLE		S/E PROPERTY LINE		
	CULVERT		LAMP STANDARD		N/W GUTTER		
	PIPE ABANDONMENTS		TREE		S/E GUTTER		
	SURVEY BAR						
EXISTING	LEGEND - PLAN	NEW	EXISTING	LEGEND - PLAN	NEW	EXISTING	LEGEND - PROFILE

DESIGNED BY	GEB / DME	CHECKED BY	FMI
DRAWN BY	KMB	APPROVED BY	AN
HOR. SCALE	1:250	RELEASED FOR CONSTRUCTION	C. Boulet
VERT. SCALE	1:50	DATE	March 10 / 09
NO.	ISSUED FOR CONSTRUCTION	03/10/09	KMB
	REVISIONS	YYMMDD	BY

AECOM

PROFESSIONAL'S SEAL

Revision 0
Issued for Construction
WAS SEALED BY
A. NAGY
AND DATED
March 10, 2009

CONSULTANT DRAWING NO. 12
D265-177-08

THE CITY OF WINNIPEG
WATER AND WASTE DEPARTMENT

ALEXANDER/BANNATYNE
COMBINED SEWER RELIEF
CONTRACT 8

SMITH STREET
ELLICE AVENUE
TO 31m N OF PORTAGE AVENUE

SHEET 12 OF 18
CITY DRAWING NUMBER
LD-3406
REV 0