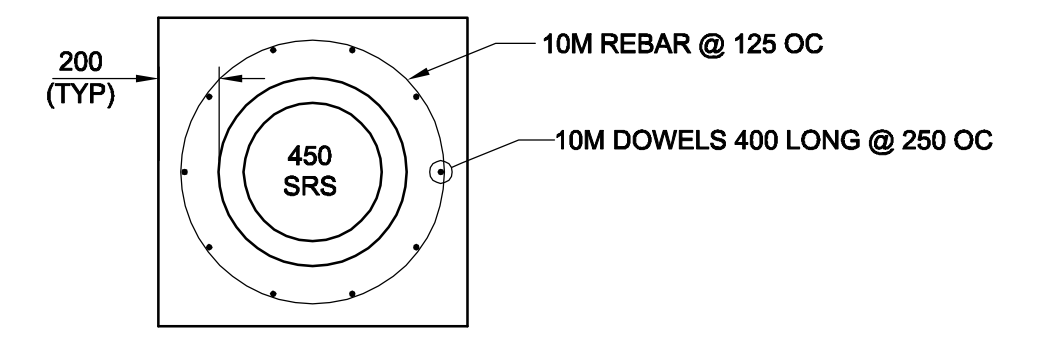
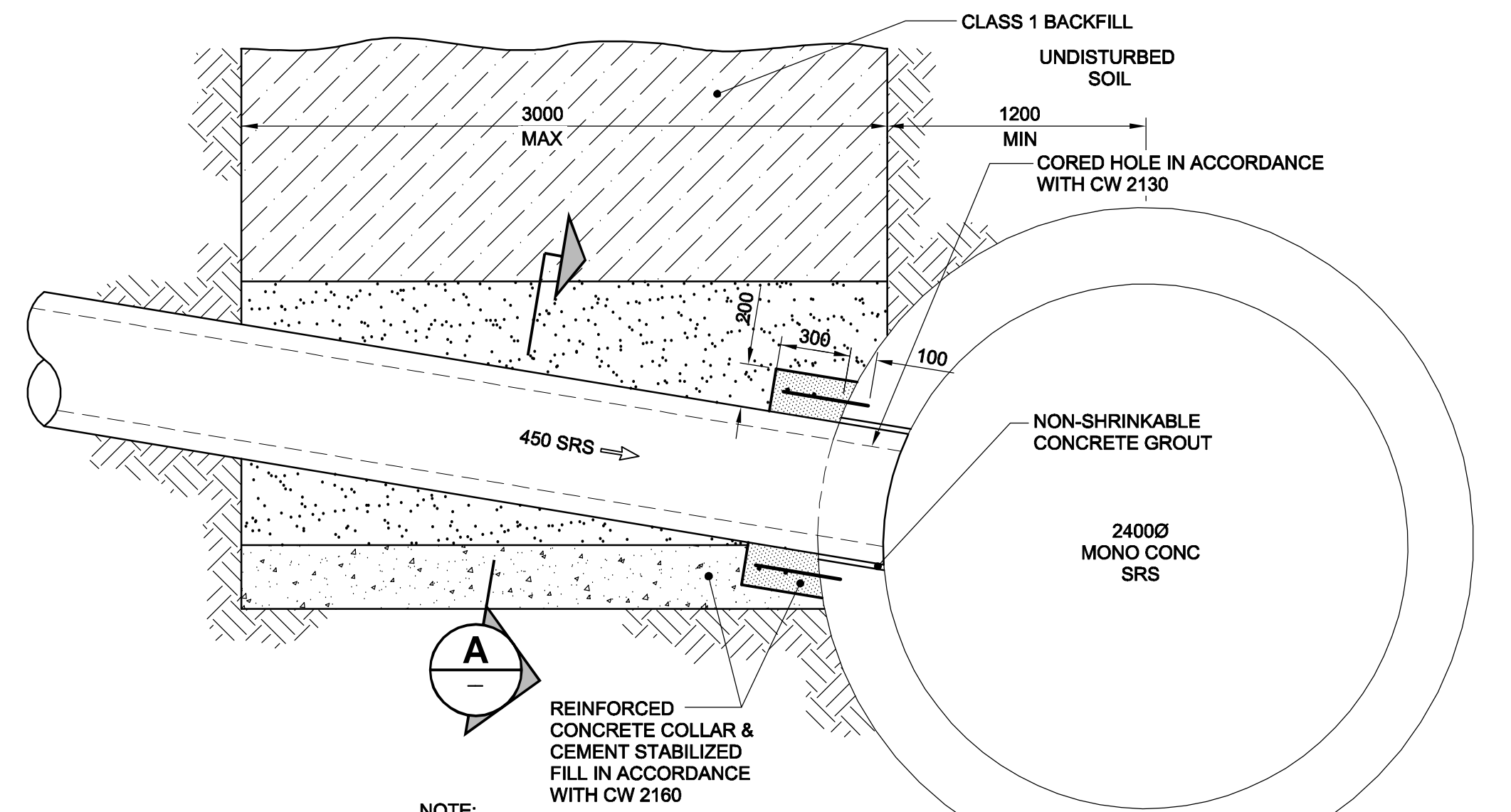


CHAINAGE ALONG S PL

233.0  
232.0  
231.0  
230.0  
229.0  
228.0  
227.0  
226.0  
225.0  
224.0  
223.0



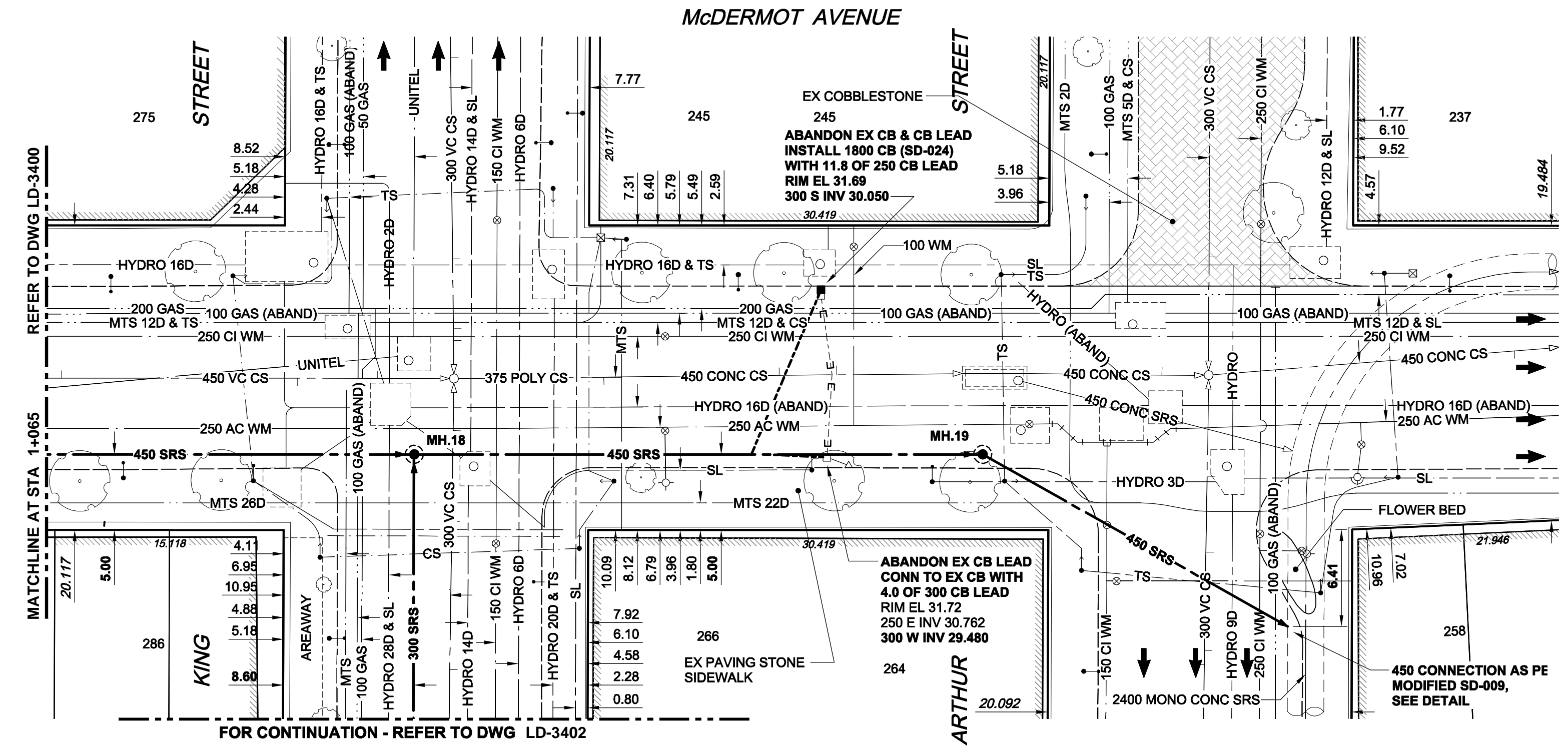
SECTION A  
SCALE 1:25



NOTE:  
SHOWN AS 450 C76-V RCP, MAY USE SDR 35 PVC PIPE WITH BELL END OF PIPE PROTRUDING FROM 2400 MONO CONC SRS AS PER SD-009

MODIFIED SD-009 CONNECTION

SCALE 1:25  
SEWER OR SEWER SERVICE CONNECTION TO EXISTING 2400 DIAMETER AND LARGER SEWER



- CONSTRUCTION NOTES:
1. THE LOCATION OF ALL SERVICES IS TO BE CONFIRMED IN THE FIELD.
  2. INSTALL NEW SEWERS AND CATCHBASIN LEADS BY TRENCHLESS METHODS WHEREVER POSSIBLE.
  3. RENEW/REHABILITATE CATCHBASINS & RENEW CATCHBASIN LEADS WHERE NOTED.

**AECOM**  
Certificate of Authorization  
AECOM Canada Ltd.  
No. 4671 Date: March 10, 2009

BID OPPORTUNITY NO. 12-2009

150 mm WM	WATERMAIN	150 mm WM	CURB STOP	150 mm WM	WATERMAIN	150 mm WM	LOCATION APPROVED
	HYDRANT		REDUCER		HYDRANT		UNDERGROUND STRUCTURES
	VALVE		COUPLING		VALVE		
	LAND DRAINAGE SEWER				LAND DRAINAGE SEWER		
	WASTE WATER SEWER				WASTE WATER SEWER		
	MANHOLE				MANHOLE		
	CATCH BASIN				CATCH BASIN		
	CURB INLET				CURB INLET		
	CULVERT				CULVERT		
	PIPE ABANDONMENTS				PIPE ABANDONMENTS		
	SURVEY BAR				SURVEY BAR		
	EXISTING		LEGEND - PLAN		EXISTING		LEGEND - PROFILE
	NEW		LEGEND - PLAN		EXISTING		LEGEND - PROFILE

NOTE:  
LOCATION OF UNDERGROUND STRUCTURES AS SHOWN ARE BASED ON THE BEST INFORMATION AVAILABLE. BUT NO GUARANTEE IS GIVEN THAT ALL EXISTING UTILITIES ARE SHOWN OR THAT THE GIVEN LOCATIONS ARE EXACT. CONFIRMATION OF EXISTENCE AND EXACT LOCATION OF ALL SERVICES MUST BE OBTAINED FROM THE INDIVIDUAL UTILITIES BEFORE PROCEEDING WITH CONSTRUCTION.

NO.	ISSUED FOR CONSTRUCTION	DATE	BY
0	ISSUED FOR CONSTRUCTION	03/10/09	KMB
	REVISIONS	YYMMDD	

DESIGNED BY	GEB / DME	CHECKED BY	FMI
DESIGNED BY	GEB / DME	CHECKED BY	FMI
DRAWN BY	KMB	APPROVED BY	AN
HOR. SCALE	1:250	RELEASED FOR CONSTRUCTION	C. Boulet
VERT. SCALE	1:50	DATE	March 10 / 09
DATE	March 10, 2009	DATE	March 10 / 09

PROFESSIONAL'S SEAL  
Revision 0  
Issued for Construction  
WAS SEALED BY  
A. NAGY  
AND DATED  
March 10, 2009  
CONSULTANT DRAWING NO. 07  
D265-177-08

**THE CITY OF WINNIPEG**  
WATER AND WASTE DEPARTMENT  
ALEXANDER/BANNATYNE  
COMBINED SEWER RELIEF  
CONTRACT 8  
McDERMOT AVENUE  
45m E OF PRINCESS STREET  
TO 30m W OF ALBERT STREET  
SHEET 7 OF 18  
CITY DRAWING NUMBER  
LD-3401  
REV 0