

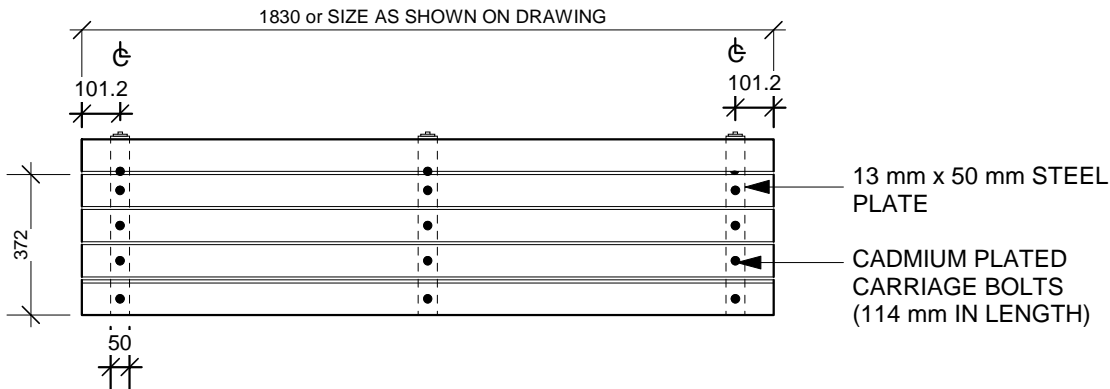
**MATERIALS**

- 100 mm x 100 mm COMPOSITE BOARDS
- CEDAR TONE FINISH
- METAL FINISH - PRIME WITH RUSTOLEUM NO. 769
- FINISH WITH SAPOLIN
- BLACK WROUGHT FINISH

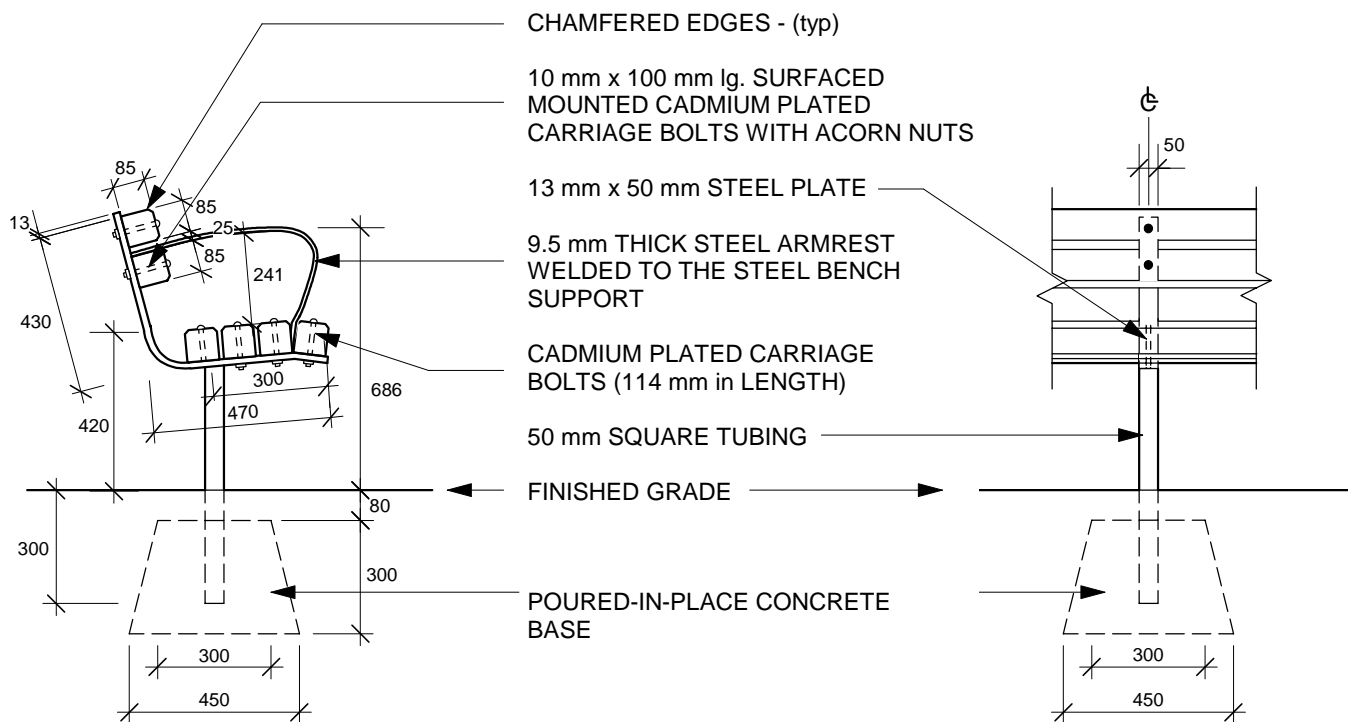
**TITLE**

**TACHE BENCH COMPOSITE with ARMS**

**SCD - 139**



**PLAN VIEW**



**SIDE ELEVATION**

**FRONT ELEVATION**

NOTE: ALL DIMENSIONS SHOWN ARE IN MILLIMETERS

1:20  
DATE : NOV 2007  
DRAWN BY: SP

THE CITY OF WINNIPEG  
Planning, Property and Development Department  
Planning and Land Use Division  
Unit 15 - 10 Fort Street, Winnipeg, MB, R3C 4X5

