

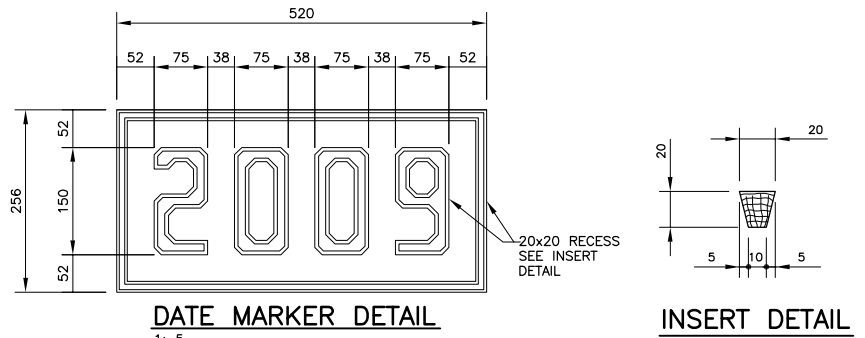
**SECTION**  
1: 75

MINIMUM LAP LENGTH

- 10M - 400 mm
- 15M - 600 mm
- 20M - 800 mm
- 25M - 1000 mm
- 30M - 1200 mm
- 35M - 1400 mm

CLEAR COVER TO REINFORCING STEEL

- \*PERMANENTLY EXPOSED TO EARTH 75 mm
- \*ALL OTHER UNLESS OTHERWISE NOTED 60 mm



|                          |                    |                     |                           |                                  |  |   |
|--------------------------|--------------------|---------------------|---------------------------|----------------------------------|--|---|
| B.M. ELEV.               | DESIGNED BY J.S.B. |                     |                           |                                  | <b>OMAND'S CREEK CULVERT THROUGH SARGENT AVENUE</b><br>CONCRETE BOX CULVERT LAYOUT | CITY DRAWING NUMBER<br><b>C316-08-04</b><br>SHEET 4 OF 10 |
|                          | DRAWN BY N.B.G.    |                     |                           |                                  |  |   |
|                          | CHECKED BY S.S.R.  |                     |                           |                                  |  |   |
|                          | APPROVED BY        |                     |                           |                                  |  |   |
| 2 ISSUED FOR TENDER      | 12/08/08 N.B.G.    | HOR. SCALE AS SHOWN | RELEASED FOR CONSTRUCTION | ORIGINAL SIGNED BY B.A. NEIRNICK | CONSULTANT PROJECT NO.<br><b>04-3330-2000</b>                                      | BID OPPORTUNITY<br><b>859-2008</b>                        |
| 1 ISSUED FOR CITY REVIEW | 11/21/08 N.B.G.    | VERTICAL AS SHOWN   | NOV. 21, 2008             | DATE DECEMBER 10, 2008           |  |   |
| NO. REVISIONS            | DATE BY            | DATE                |                           |                                  |  |   |

40DILLON Acad FILE: G:\CAD\043330\Drawn\Current\4\_BOX\_CULVERT.dwg 9/25/2008