

NOTE: CHAINAGES SHOWN ARE ALONG N E OF CRESCENT DR.

CAUTION: MTS, GAS, SL, & WM ON N SIDE OF CRESCENT

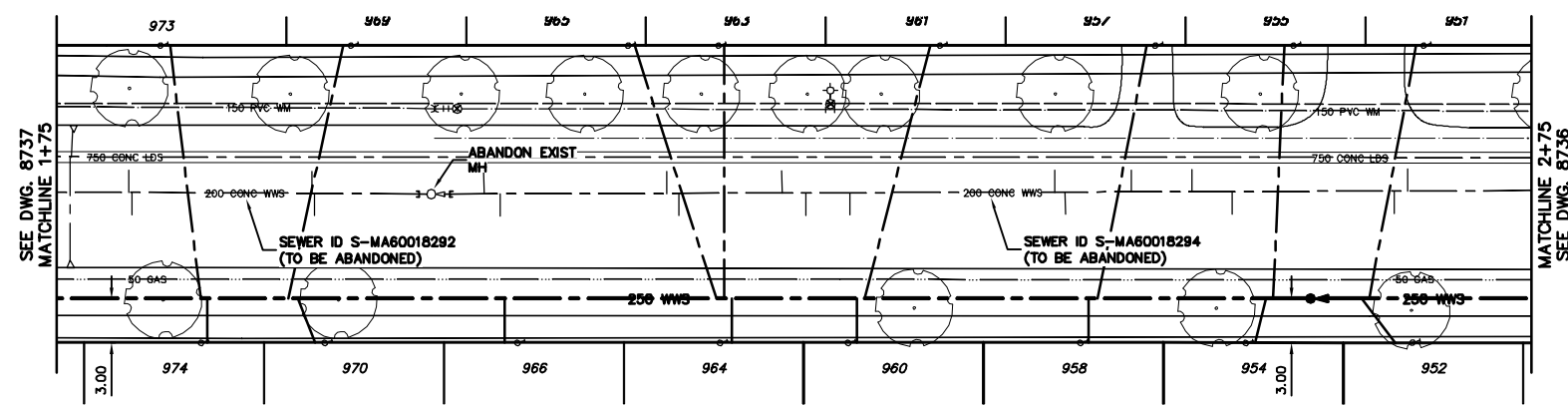
CRESCENT DRIVE



SEWER SERVICE INFORMATION		
ADDRESS	SIZE	R. DIST JUNCTION TIE
951 CRESCENT DR RESIDENTIAL		
952 CRESCENT DR RESIDENTIAL		
954 CRESCENT DR RESIDENTIAL		
955 CRESCENT DR RESIDENTIAL		
957 CRESCENT DR RESIDENTIAL		
958 CRESCENT DR RESIDENTIAL		
960 CRESCENT DR RESIDENTIAL		
961 CRESCENT DR RESIDENTIAL		
963 CRESCENT DR RESIDENTIAL		
964 CRESCENT DR RESIDENTIAL		
965 CRESCENT DR RESIDENTIAL		
966 CRESCENT DR RESIDENTIAL		
969 CRESCENT DR RESIDENTIAL		
970 CRESCENT DR RESIDENTIAL		
973 CRESCENT DR RESIDENTIAL		
974 CRESCENT DR RESIDENTIAL		

WATER SERVICE INFORMATION

ADDRESS	SIZE(mm) & TYPE (STREET)	SIZE(mm) (PROP)	SHORT & LONG MEASUREMENT	CORP. LOCATION
951 CRESCENT DR RESIDENTIAL	20 COPPER	20 COPPER	1.38 EWL HSE	-
952 CRESCENT DR RESIDENTIAL	20 COPPER	20 COPPER	18.89 WML RIVERA	-
954 CRESCENT DR RESIDENTIAL	20 COPPER	20 COPPER	3.20 EWL HSE	-
955 CRESCENT DR RESIDENTIAL	20 COPPER	20 COPPER	19.71 WML RIVERA	1.0 E OF S/C
957 CRESCENT DR RESIDENTIAL	20 COPPER	20 COPPER	3.98 EWL HSE	-
958 CRESCENT DR RESIDENTIAL	20 COPPER	20 COPPER	30.93 WML RIVERA	1.0 W OF S/C
960 CRESCENT DR RESIDENTIAL	20 COPPER	20 COPPER	5.06 EWL HSE	-
961 CRESCENT DR RESIDENTIAL	20 COPPER	20 COPPER	27.76 WML RIVERA	1.2 W OF S/C
963 CRESCENT DR RESIDENTIAL	20 COPPER	20 COPPER	0.89 EWL HSE	-
964 CRESCENT DR RESIDENTIAL	20 COPPER	20 COPPER	37.15 WML RIVERA	1.4 E OF S/C
965 CRESCENT DR RESIDENTIAL	20 COPPER	20 COPPER	42.09 WML RIVERA	2.0 W OF S/C
966 CRESCENT DR RESIDENTIAL	20 COPPER	20 COPPER	1.88 EWL HSE	-
969 CRESCENT DR RESIDENTIAL	20 COPPER	20 COPPER	57.89 WML RIVERA	1.6 E OF S/C
970 CRESCENT DR RESIDENTIAL	20 COPPER	20 COPPER	8.45 EWL HSE	-
973 CRESCENT DR RESIDENTIAL	20 COPPER	20 COPPER	51.73 WML RIVERA	2.0 E OF S/C
974 CRESCENT DR RESIDENTIAL	20 COPPER	20 COPPER	3.76 EWL HSE	-
974 CRESCENT DR RESIDENTIAL	20 COPPER	20 COPPER	66.67 WML RIVERA	5.4 W OF S/C
974 CRESCENT DR RESIDENTIAL	20 COPPER	20 COPPER	4.85 EWL HSE	-
974 CRESCENT DR RESIDENTIAL	20 COPPER	20 COPPER	72.81 WML RIVERA	0.2 E OF S/C
974 CRESCENT DR RESIDENTIAL	20 COPPER	20 COPPER	3.53 EWL HSE	-
974 CRESCENT DR RESIDENTIAL	20 COPPER	20 COPPER	80.19 WML RIVERA	1.3 E OF S/C
974 CRESCENT DR RESIDENTIAL	20 COPPER	20 COPPER	1.49 EWL HSE	-
974 CRESCENT DR RESIDENTIAL	20 COPPER	20 COPPER	91.49 WML RIVERA	0.2 E OF S/C
974 CRESCENT DR RESIDENTIAL	20 COPPER	20 COPPER	2.53 EWL HSE	-
974 CRESCENT DR RESIDENTIAL	20 COPPER	20 COPPER	93.44 WML RIVERA	-
974 CRESCENT DR RESIDENTIAL	20 COPPER	20 COPPER	5.23 EWL HSE	-
974 CRESCENT DR RESIDENTIAL	20 COPPER	20 COPPER	104.47 WML RIVERA	0.6 W OF S/C
974 CRESCENT DR RESIDENTIAL	20 COPPER	20 COPPER	5.06 EWL HSE	-
974 CRESCENT DR RESIDENTIAL	20 COPPER	20 COPPER	101.66 WML RIVERA	-



SEWER JUNCTION INFORMATION FROM SEWER VIDEO INSPECTION S-MA60018294			
DISTANCE FROM MH S-MH60015860			
18.6 W	100#	NORTH	CX
19.5 W	100#	SOUTH	JN
30.5 W	100#	SOUTH	CN
33.2 W	150#	NORTH	CX
37.3 W	150#	NORTH	CNI
41.8 W	150#	SOUTH	CX
42.5 W	150#	NORTH	CNI
55.7 W	150#	NORTH	JN
59.4 W	150#	SOUTH	CX
61.0 W	150#	NORTH	CN
68.0 W	150#	SOUTH	JN
68.8 W	150#	NORTH	JN
80.1 W	150#	SOUTH	CN
81.2 W	150#	NORTH	JN

SEWER JUNCTION INFORMATION FROM SEWER VIDEO INSPECTION S-MA60018292			
DISTANCE FROM MH S-MH60015852			
7.9 W	150#	SOUTH	JN
8.1 W	150#	NORTH	CX
20.3 W	150#	SOUTH	CNI
20.5 W	150#	NORTH	CNI

- CONSTRUCTION NOTES:
1. INSTALL SEWER BY TRENCHLESS METHODS.
  2. CONFIRM THE LOCATION OF ALL SEWER SERVICES PRIOR TO CONSTRUCTION.
  3. BACKFILL WITHIN 1.0 OF PAVEMENT TO BE CLASS 3.
  4. MAINTAIN A MINIMUM SLOPE OF 1% WHERE POSSIBLE FOR ALL SEWER SERVICES.

CONTRACTOR TO CONFIRM SEWER SERVICE LOCATIONS FOR ALL ADDRESSES

CAUTION: MTS & GAS ON S SIDE OF CRESCENT

**METRIC**  
WHOLE NUMBERS INDICATE MILLIMETERS  
DECIMALIZED NUMBERS INDICATE METRES

**WARNING**  
IF POWER EQUIPMENT OR EXPLOSIVES ARE TO BE USED FOR EXCAVATION ON THIS PROJECT THE CONTRACTOR MUST:  
1) NOTIFY THE GAS COMPANY OF THE PROPOSED LOCATION OF EXCAVATION.  
2) TAKE PRECAUTION TO AVOID DAMAGE TO GAS COMPANY INSTALLATIONS.  
SEE PROVINCIAL REGULATION 210/72 FOR DETAILS

200 WM	WATERMAIN	200 WM	SL, HYDRO	150 WM	WATERMAIN	150 WM
⊕	HYDRANT	⊕	MTS	⊕	HYDRANT	⊕
⊙	VALVE	⊙	TRAFFIC SIGNALS	⊙	VALVE	⊙
525 LDS	LAND DRAINAGE SEWER	525 LDS	GAS	50 GAS	300 LDS	LAND DRAINAGE SEWER
375 WWS	WASTEWATER SEWER	375 WWS	SURVEY BAR	250 WWS	250 WWS	WASTEWATER SEWER
○	MANHOLE	●	FENCE	⊕	⊕	PROFILE
□	CATCH BASIN	■	POLE - HYDRO, MTS	⊕	⊕	GROUND ABOVE PIPE
▽	CURB INLET	▽	CURB STOP	⊕	⊕	⊕ DITCH (NORTH & WEST)
⊕	JUNCTIONS	⊕	GUY ANCHOR	⊕	⊕	⊕ DITCH (SOUTH & EAST)
⊕	CULVERT	⊕	LIGHT STANDARD	⊕	⊕	⊕ GUTTER (NORTH & WEST)
⊕	ANODE	⊕	TREE	⊕	⊕	⊕ GUTTER (SOUTH & EAST)
EXISTING	LEGEND-PLAN	PROPOSED	EXISTING	LEGEND-PLAN	PROPOSED	EXISTING
---	LEGEND-PROFILE	---	---	---	---	---

LOCATION APPROVED UNDERGROUND STRUCTURES

SUPV. U/G STRUCTURES COMMITTEE DATE

NOTE:  
LOCATION OF UNDERGROUND STRUCTURES AS SHOWN ARE BASED ON THE BEST INFORMATION AVAILABLE BUT NO GUARANTEE IS GIVEN THAT ALL EXISTING UTILITIES ARE SHOWN OR THAT THE GIVEN LOCATIONS ARE EXACT. CONFIRMATION OF EXISTENCE AND EXACT LOCATION OF ALL SERVICES MUST BE OBTAINED FROM THE INDIVIDUAL UTILITIES BEFORE PROCEEDING WITH CONSTRUCTION.

B.M. ELEV. FIELD BOOK #:

POSTED TO LBS:

NO. REVISIONS DATE BY

**CITY OF WINNIPEG**  
WATER AND WASTE  
ENGINEERING DIVISION

DESIGNED BY: NC CHECKED BY: NC  
DRAWN BY: C/JH APPROVED BY: KZ

HOR. SCALE: 1:250  
VERTICAL SCALE: 1:50

RELEASED FOR CONSTRUCTION  
DATE: 2008 12 03

ENGINEER'S SEAL

ORIGINAL SIGNED BY K.R. ZUREK  
08/12/04

BID OPPORTUNITY: 858-2008  
FILENAME: Crescent.dwg  
PLOT DATE: 2008 12 04

**THE CITY OF WINNIPEG**  
WATER AND WASTE DEPARTMENT

2008 SEWER RENEWALS  
CONTRACT 33  
CRESCENT DRIVE  
1ST MH W OF NESBITT BAY TO  
1ST MH E OF PEMBINA HIGHWAY

SHEET 3 OF 7  
CITY DRAWING NUMBER  
8745