

**PLAN**  
SCALE 1:100  
0 1000 2000 3000

**IMPORTANT: ASBESTOS NOTIFICATION AND ACKNOWLEDGMENT**

Every effort has been made to identify known asbestos containing materials within the area of the proposed work. As a precautionary measure, where material is encountered by trades and contractors that is suspect or suspicious, the Trade Contractor/Subcontractor is to contact the Contract Administrator who will have samples taken and tested to confirm its composition.

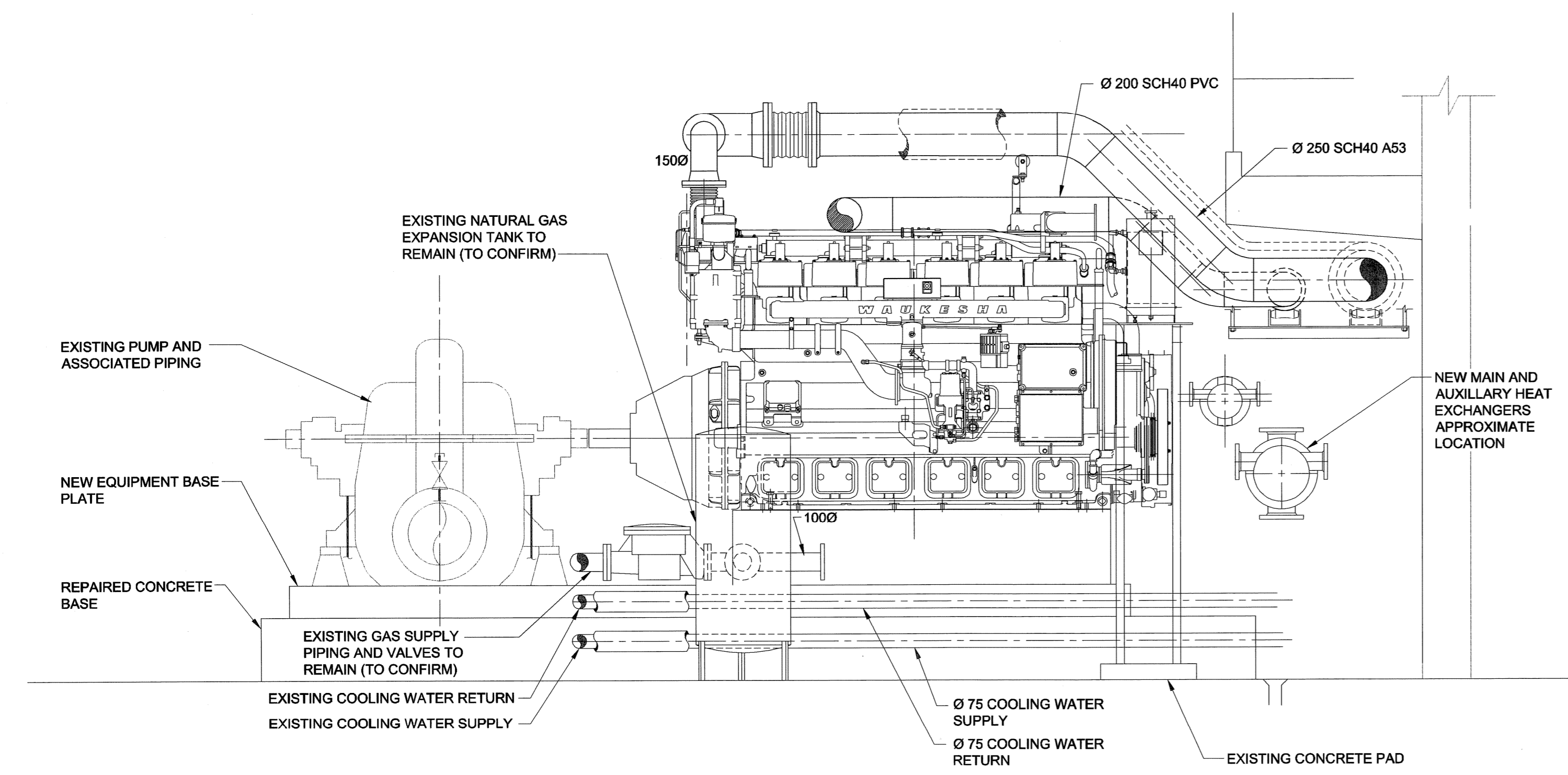
No. Reg. 53-80 (Workplace Health Hazard Regulation), No. Reg. 100-88R (Fibrosis and Silicosis Regulation) and associated Guidelines apply to all maintenance and renovation work that may disturb asbestos or suspect asbestos-containing materials in the Workplace. Such regulations and guidelines state that any disturbance of asbestos-containing materials may only be performed by workers or by an outside contractor who have first received the required training in asbestos-related precautions.

**WORKING WITH ASBESTOS CAN BE DANGEROUS. INHALING ASBESTOS FIBERS CAN CAUSE VARIOUS TYPES OF LUNG DISEASE INCLUDING CANCER. SMOKING INCREASES THE RISK OF LUNG CANCER FROM ASBESTOS EXPOSURE.**

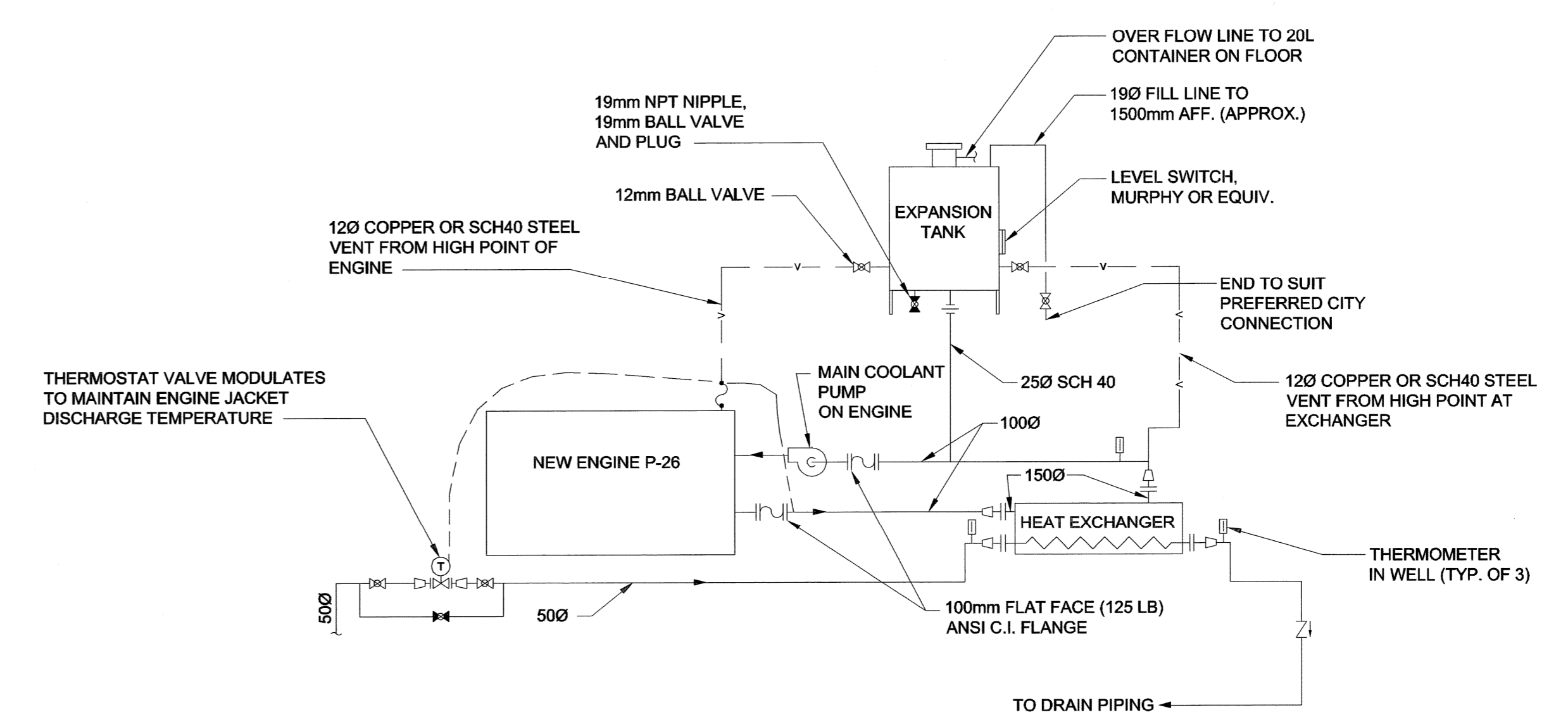
**ACKNOWLEDGMENT:**

In undertaking the work of this project, we the trade or contractor agree to perform our work in such a manner so as NOT to disturb any asbestos-containing materials without:

- giving notice to the appropriate supervisor, individual manager and/or project coordinator at the Water and Waste Department that known or suspected asbestos-containing material(s) will be disturbed, or
- halting work and giving notice to the Contract Administrator when unforeseen suspected asbestos-containing materials are uncovered during the provisions of services/materials.



**SECTION P-26**  
SCALE 1:25  
0 250 500 750  
NOTE: FOR CLARITY SOME PIPE SUPPORTS ARE NOT SHOWN



**SCHEMATIC**  
NTS  
TYPICAL COOLING CIRCUIT -  
SUBMIT DRAWING FOR FINAL APPROVAL  
FOR ALL REQUIRED CIRCUITS

UMA REVIEW DRFT CHK

**APECM**  
Certificate of Authorization  
UMA Engineering Ltd. (MB)  
No. 256 Date: Nov 25-08

DRN	CHK	DES	ENG	IDR
UMA REVIEW				

B	ISSUED FOR BID	08/11/21	RS
A	ISSUED FOR REVIEW	08/10/28	RS
NO.	REVISIONS	YYMMDD	BY

DESIGNED BY	CC	CHECKED BY	
DRAWN BY	RS	APPROVED BY	
HOR. SCALE	AS NOTED	RELEASED FOR CONSTRUCTION	
VERT. SCALE	AS NOTED		
DATE		DATE	

PROFESSIONAL'S SEAL  
PROVINCE OF MANITOBA  
Nov 25-08  
C.A.D.  
COURCHAINE  
REGISTERED PROFESSIONAL ENGINEER  
CONSULTANT DRAWING NO.  
D265-199-00\_05-M-0004\_RX.dwg

**THE CITY OF WINNIPEG**  
**WATER AND WASTE DEPARTMENT**

**G. C. MACLEAN PUMPING STATION**  
**P-26 ENGINE REPLACEMENT**  
**MECHANICAL - NEW CONSTRUCTION**  
**PUMP/ENGINE - PLAN AND SECTION**

SHEET 1 OF 1  
CITY DRAWING NUMBER  
1-0630M-M0004-001  
REV B