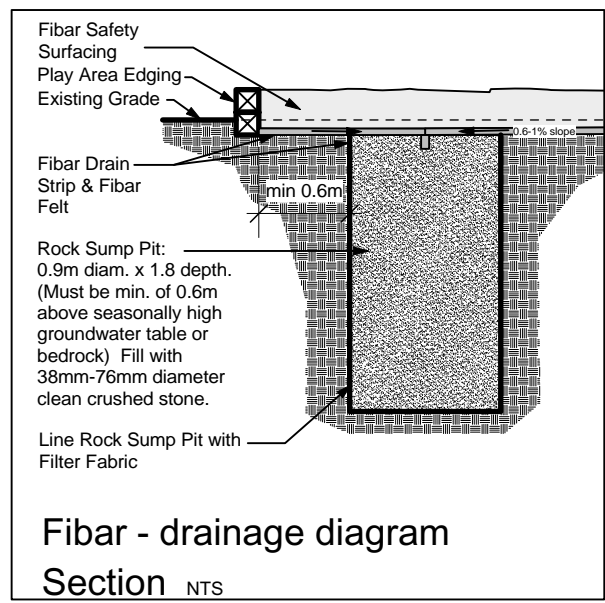
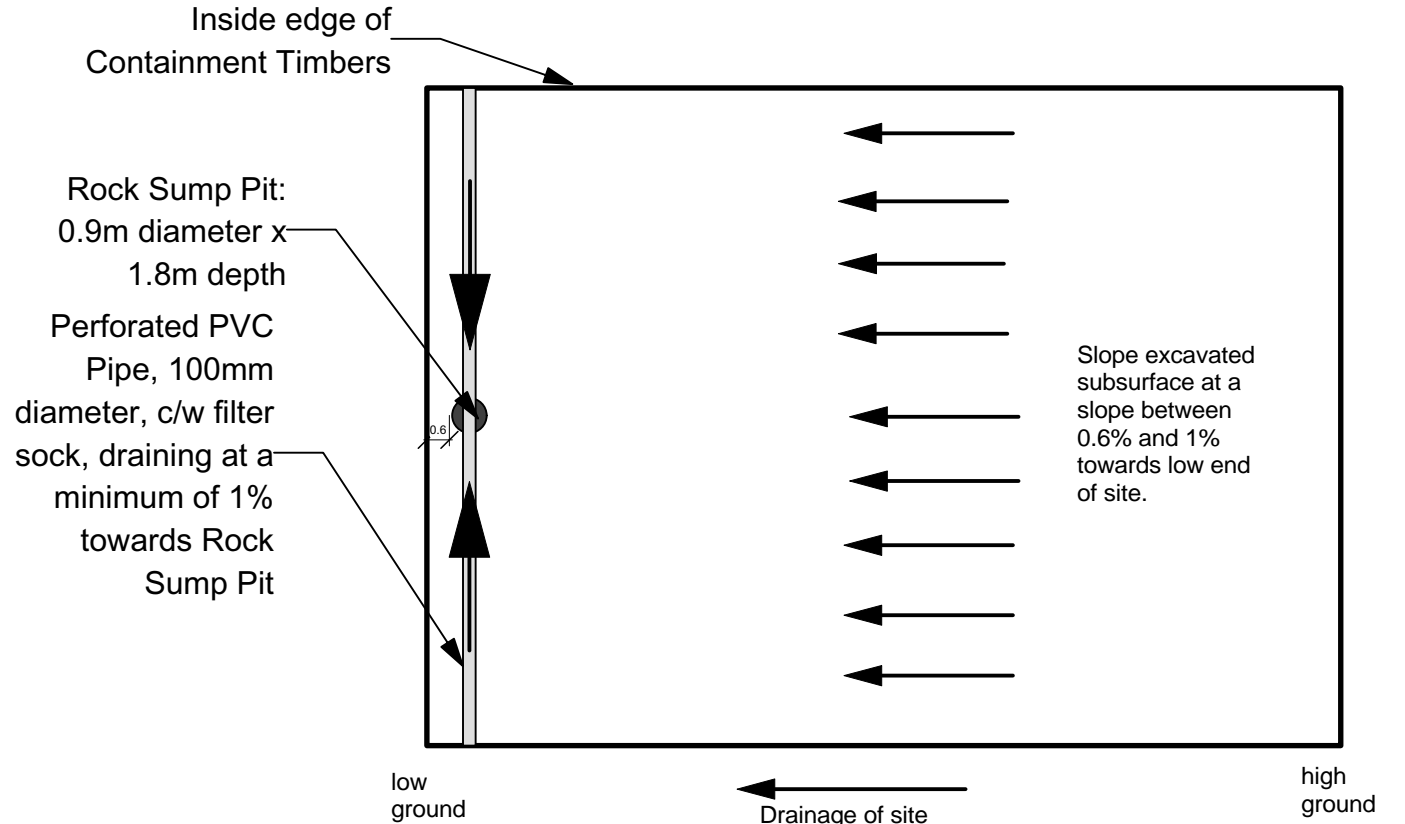


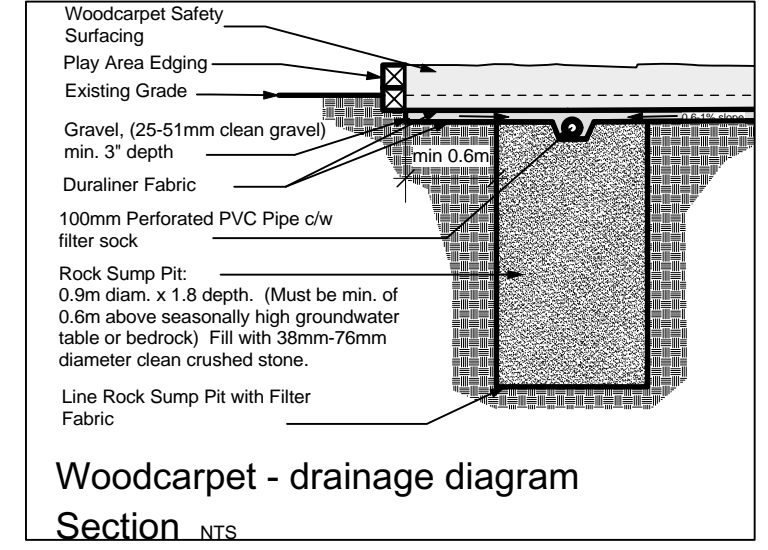
Fibar Drainage - drainage diagram
Plan NTS



Fibar - drainage diagram
Section NTS



Woodcarpet - drainage diagram
Plan NTS



Woodcarpet - drainage diagram
Section NTS

CONTRACTOR TO CONFIRM ALL DIMENSIONS AND REPORT ANY DISCREPANCIES TO CONTRACT ADMINISTRATOR PRIOR TO CONSTRUCTION. LOCATION OF UNDERGROUND STRUCTURES AS SHOWN ARE BASED ON THE BEST INFORMATION AVAILABLE BUT NO GUARANTEE IS GIVEN THAT ALL EXISTING UTILITIES ARE SHOWN OR THAT THE GIVEN LOCATIONS ARE EXACT. CONFIRMATION OF EXISTENCE AND EXACT LOCATION OF ALL SERVICES MUST BE OBTAINED FROM THE INDIVIDUAL UTILITIES BEFORE PROCEEDING WITH CONSTRUCTION.



THE CITY OF WINNIPEG
Planning, Property and Development Department
Planning and Land Use Division
Unit 15 - 30 Fort Street, Winnipeg, MB, (R3C 4X5)

DESIGNED BY	SP	CHECKED BY	
DRAWN BY	SP	APPROVED BY	
HORIZ. SCALE	NTS		
VERT. SCALE			
DATE	January 2008		

MANAGER,
PARK AND OPEN SPACES

DATE

MANAGER,
PLANNING AND LAND USE DIVISION

DATE

DRAWING TITLE
MACHRAY PARK
Play Area Safety Surfacing & Drainage

SITE ADDRESS 475 Anderson Ave

DRAWING NO.
M.7-H5

BID OPPORTUNITY NO.
82-2007