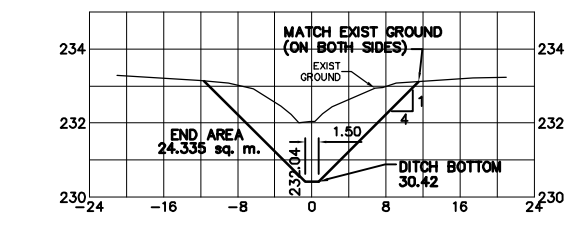
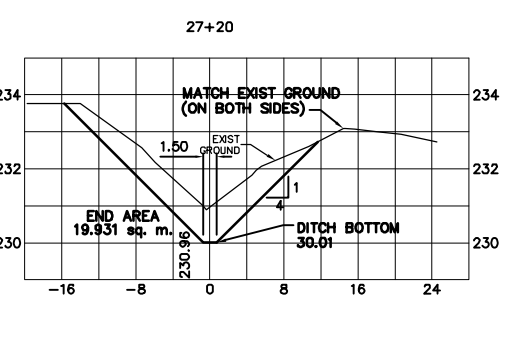
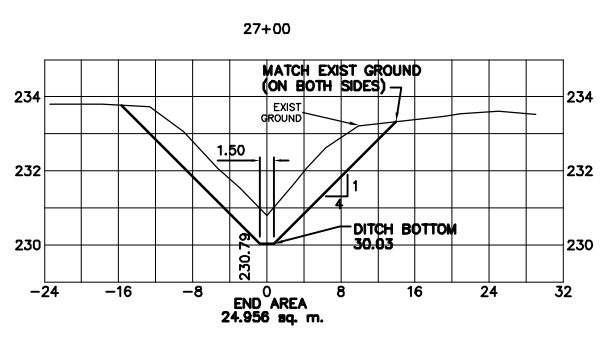
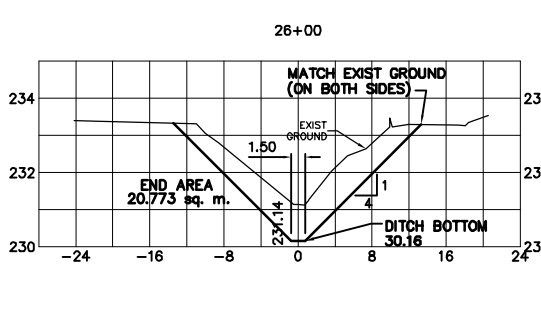
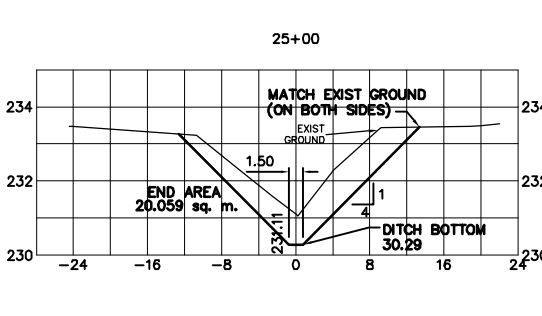
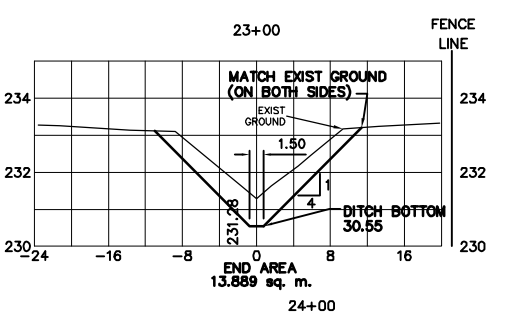
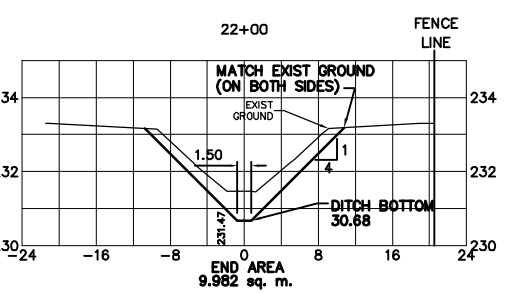
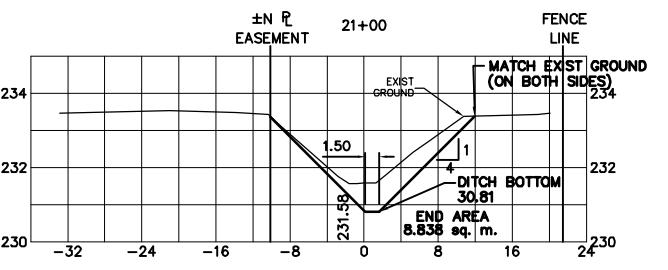
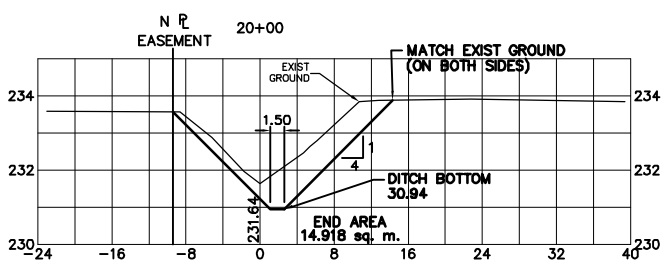
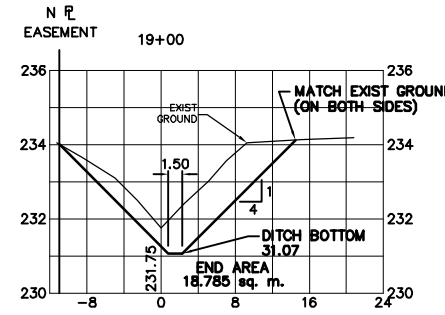
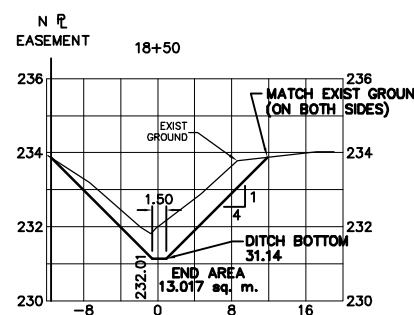
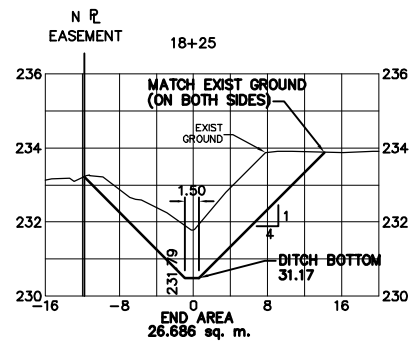




THIS DRAWING CONTAINS A 2005 AERIAL PHOTO

PLAN SHOWING MAJOR ITEMS OF WORK AND SURPLUS EXCAVATED MATERIAL STOCKPILING AREAS



METRIC
WHOLE NUMBERS INDICATE MILLIMETRES
DECIMALIZED NUMBERS INDICATE METRES

WARNING
IF POWER EQUIPMENT OR EXPLOSIVES ARE TO BE USED FOR EXCAVATION ON THIS PROJECT THE CONTRACTOR MUST:
1) NOTIFY THE GAS COMPANY OF THE PROPOSED LOCATION OF EXCAVATION.
2) TAKE PRECAUTION TO AVOID DAMAGE TO GAS COMPANY INSTALLATIONS.
SEE PROVINCIAL REGULATION 210/72 FOR DETAILS

NO.	REVISIONS	DATE	BY

**CITY OF WINNIPEG
WATER AND WASTE
ENGINEERING DIVISION**

DESIGNED BY: CWT
DRAWN BY: WKT

CHECKED BY: GEM
APPROVED BY: GEM

CROSS SECTIONS KEY PLAN
HOR. SCALE: 1:400
VERTICAL: 1:50

DATE: 2008 10 09

RELEASED FOR CONSTRUCTION

ENGINEER'S SEAL
ORIGINAL SIGNED BY G.E. MOHR
08/10/09

BID OPPORTUNITY: 776-2008
FILENAME: LD-5104_05_06.dwg
PLOT DATE: 2008 10 09

**THE CITY OF WINNIPEG
WATER AND WASTE DEPARTMENT**

CONSTRUCTION OF THE CHARLESWOOD
HOWE DRAIN - PHASE 1
HOWE AVENUE
McCONNELL ROAD TO FORT WHYTE
CENTRE LAKE - CROSS SECTIONS

SHEET 4 OF 4
CITY DRAWING NUMBER
LD-5106