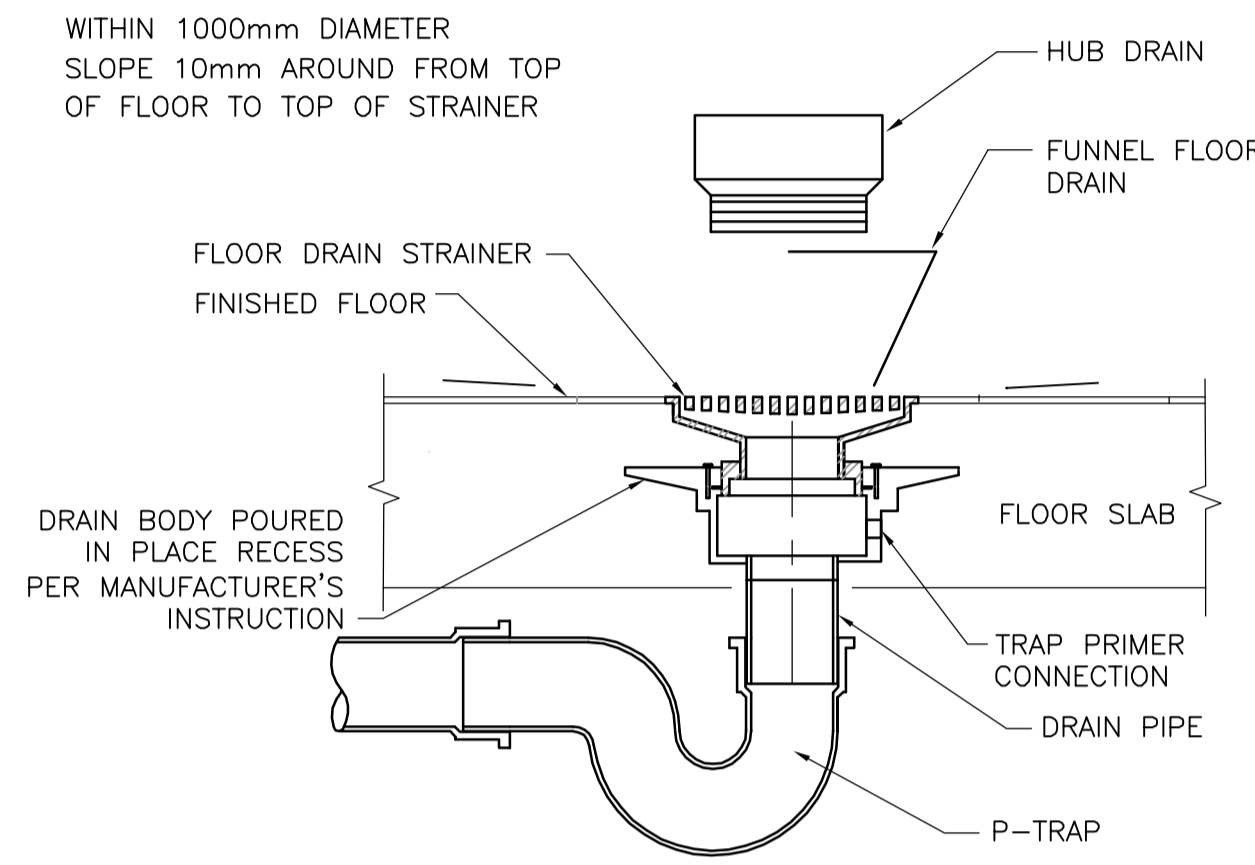
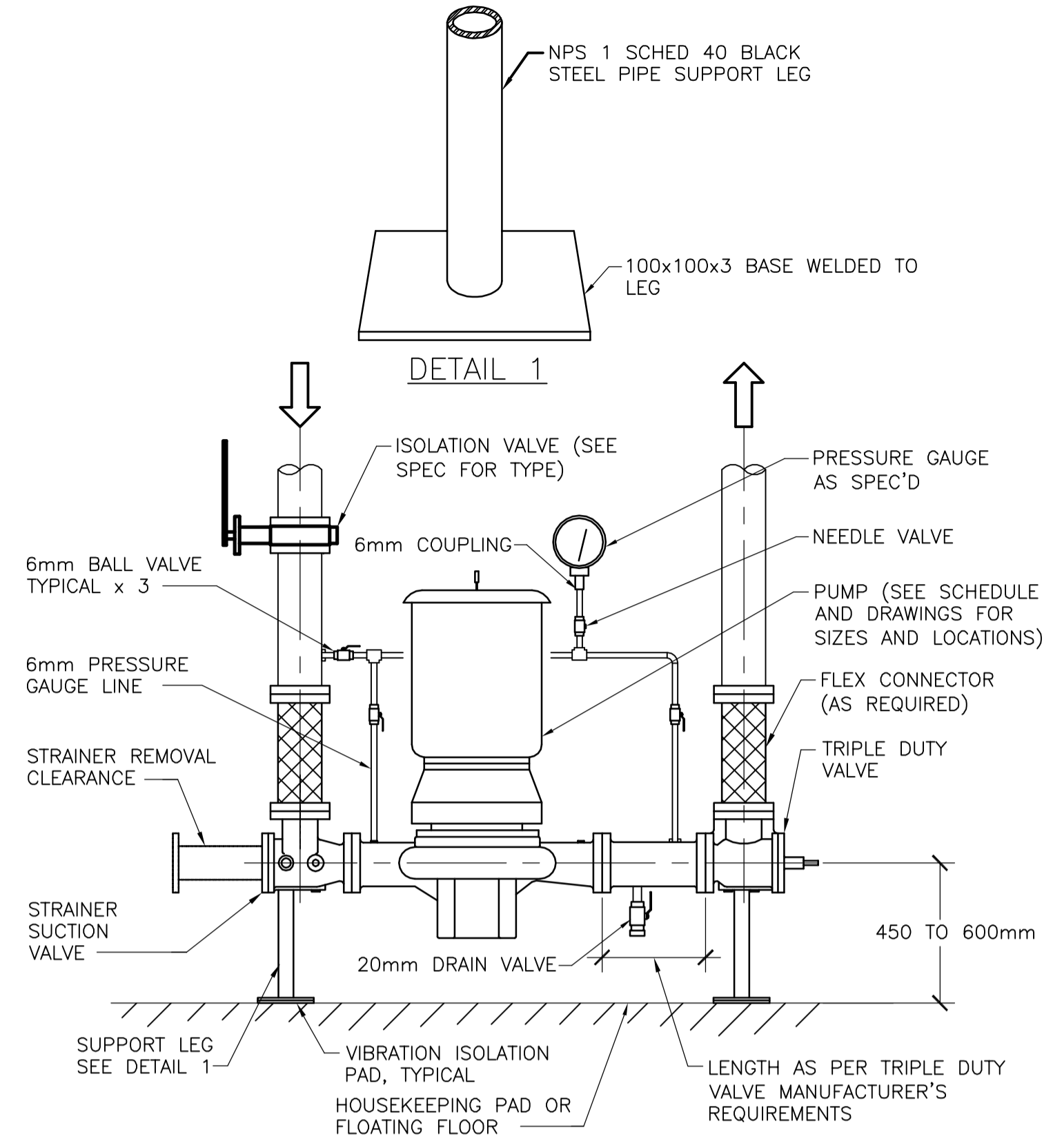


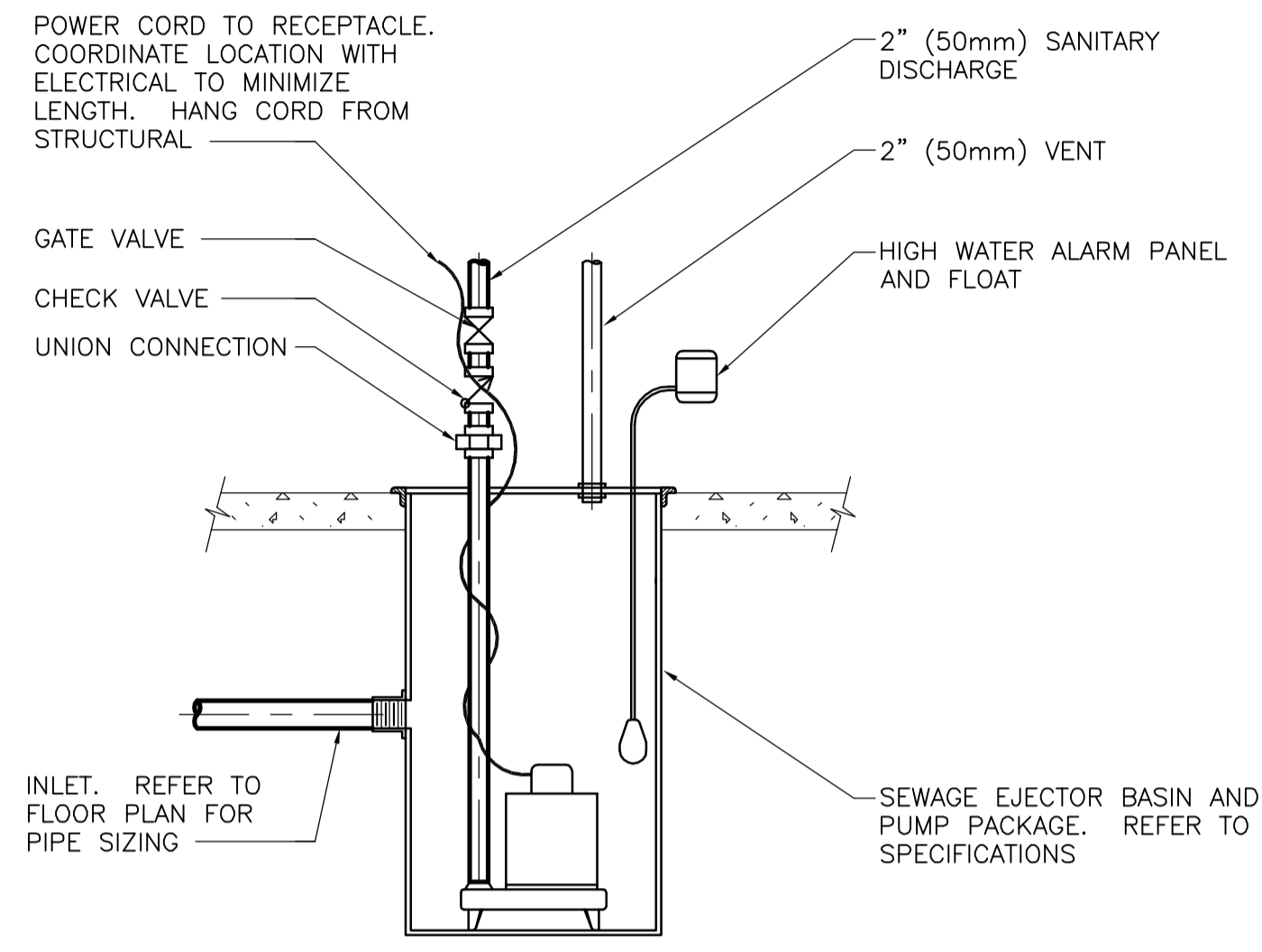
NOTES :



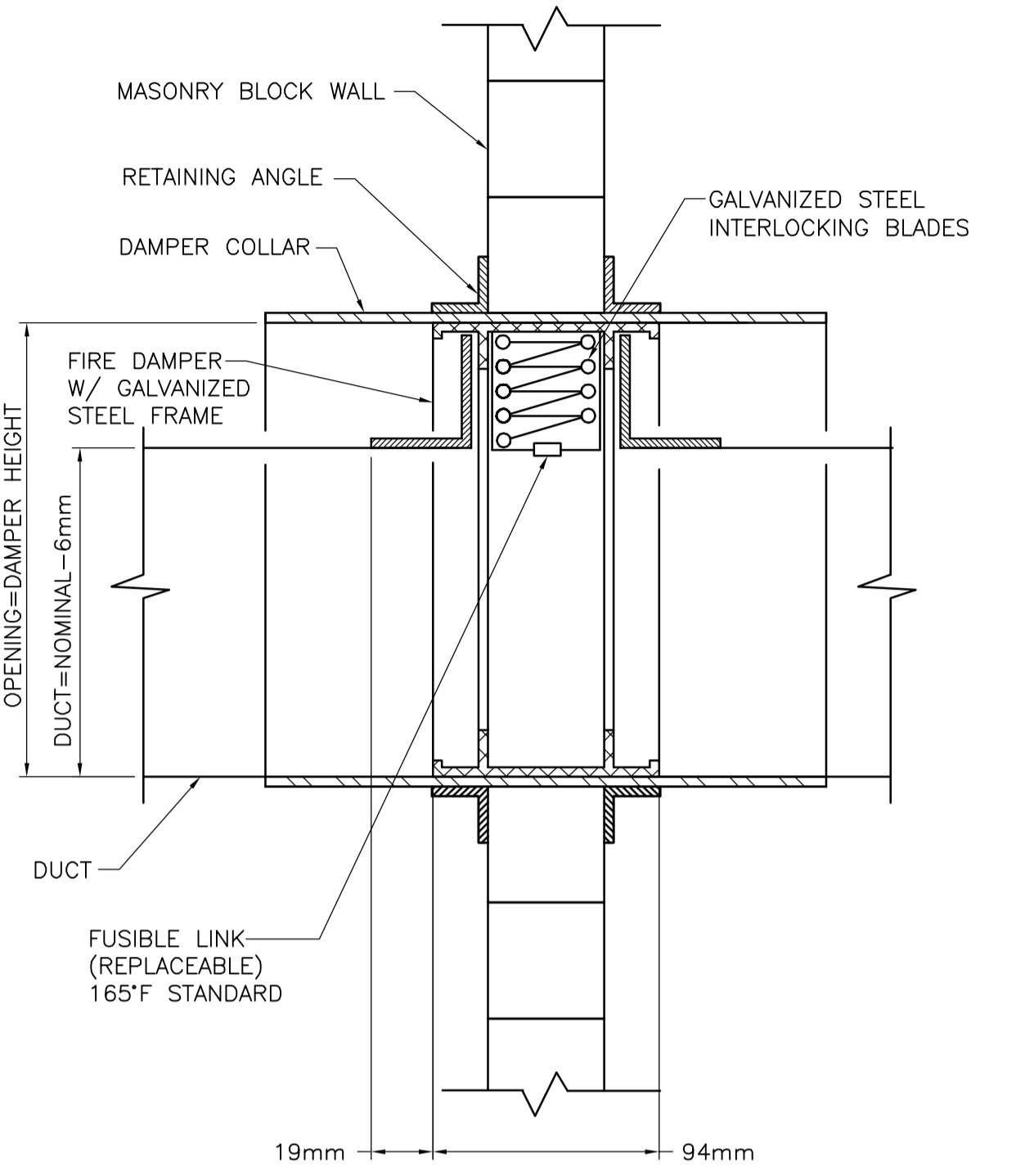
1 FLOOR DRAIN DETAIL
M08 N.T.S.



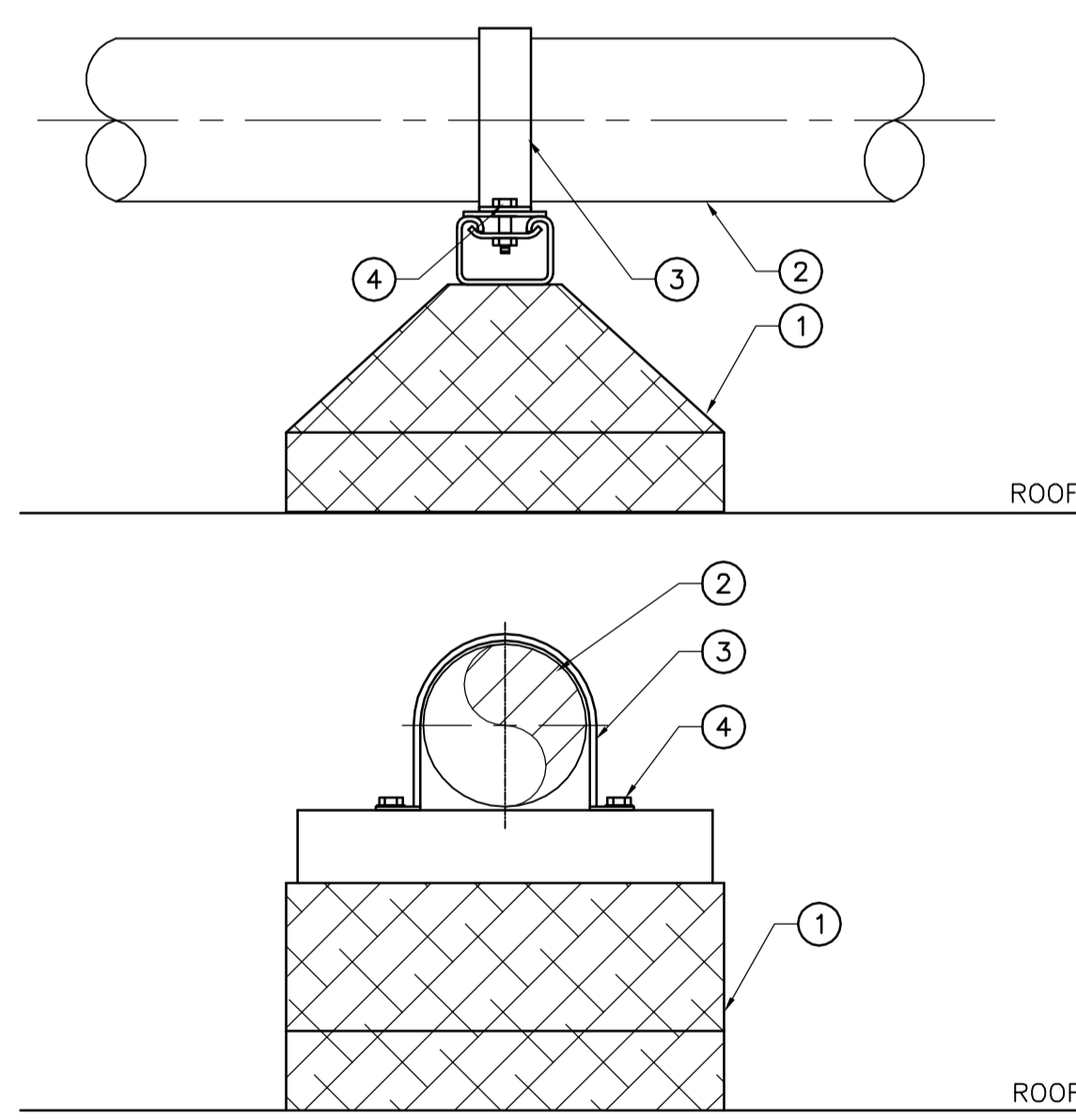
2 VERTICAL IN-LINE PUMP DETAIL
M08 N.T.S.



3 SEWAGE EJECTOR PUMP PACKAGE DETAIL
M08 N.T.S.

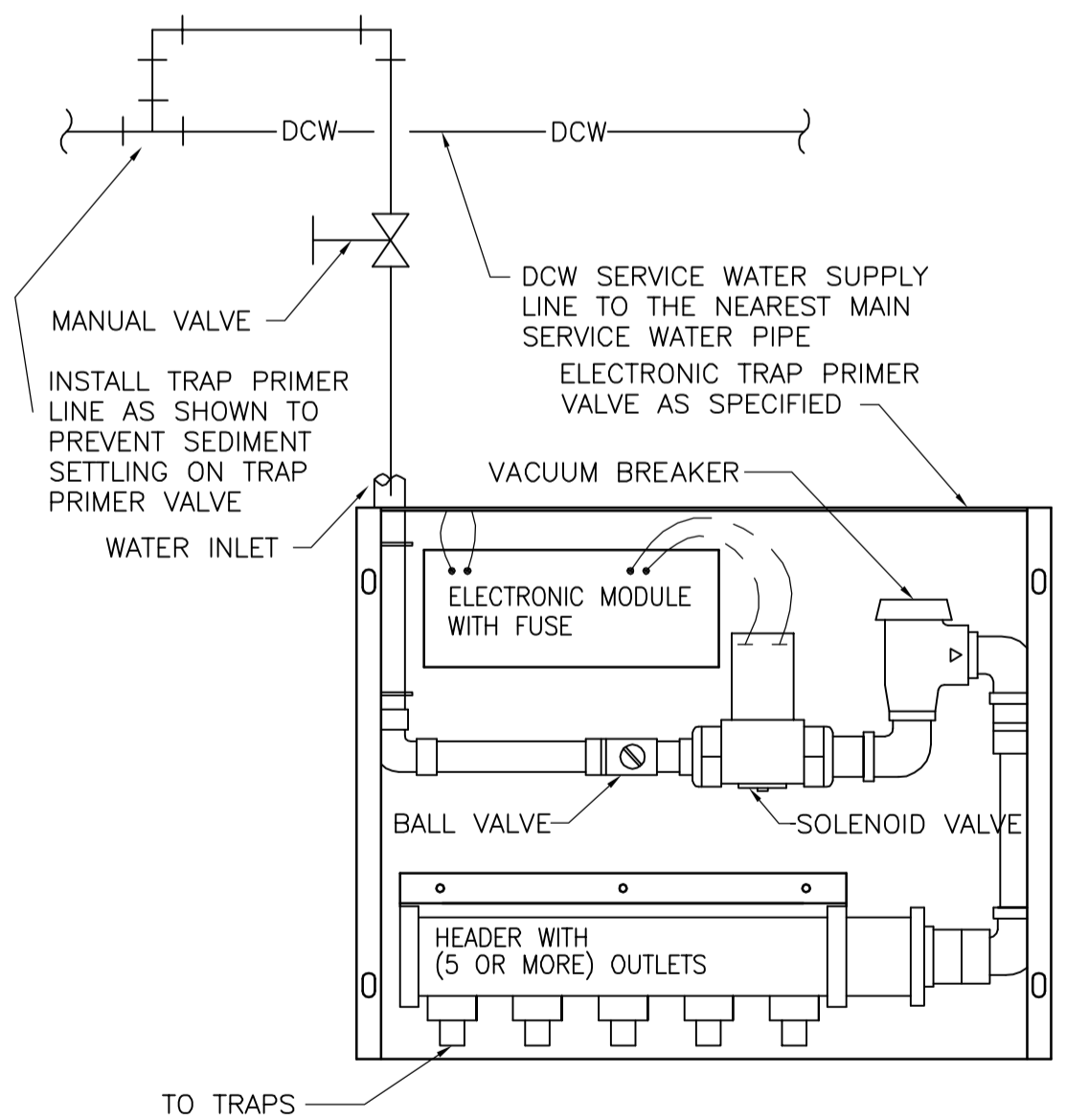


4 TYPE 'B' FIRE DAMPER IN WALL DETAIL
M08 N.T.S.

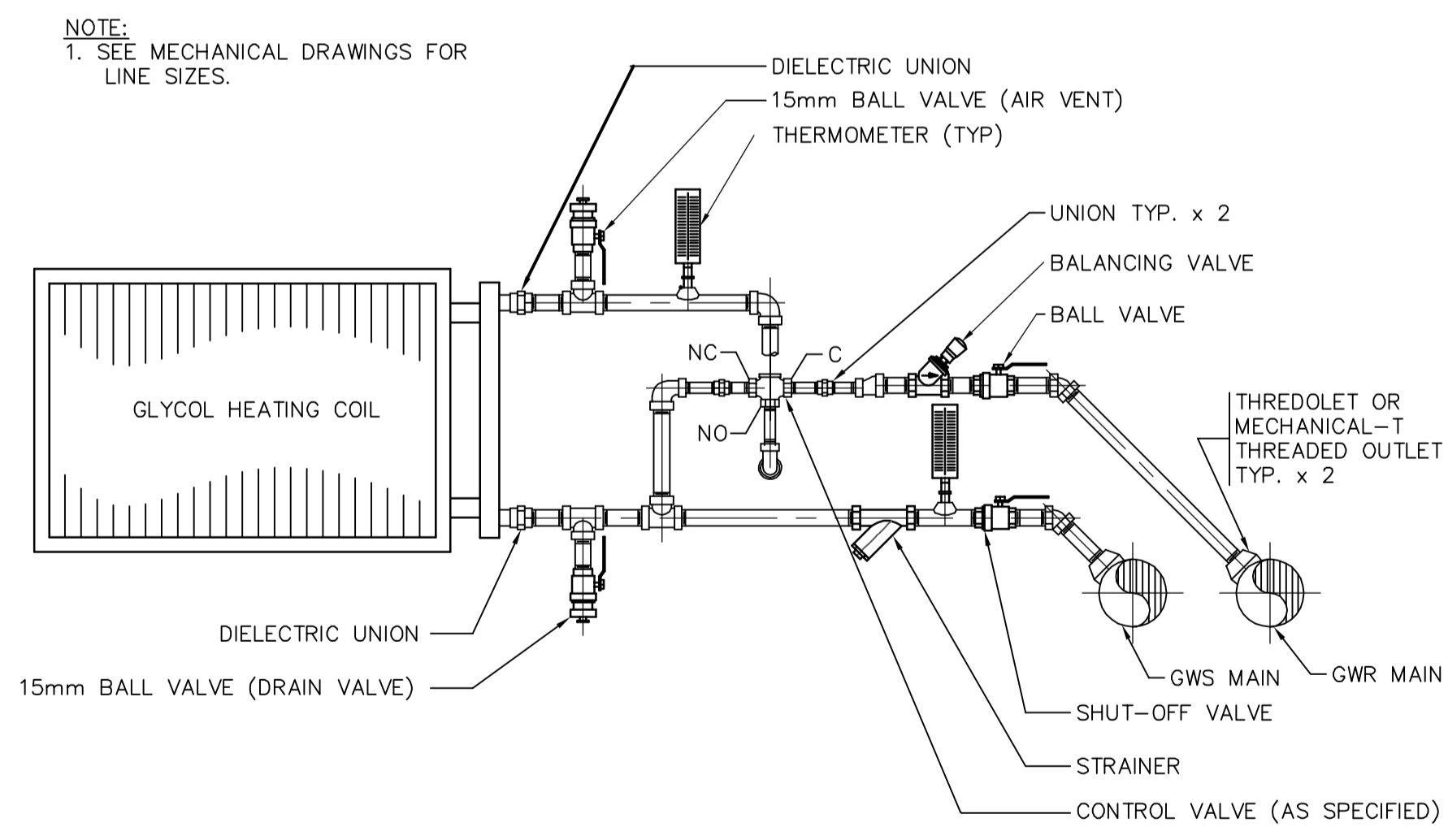


- 1 MANUFACTURED U.V. RESISTANT RUBBER SUPPORT.
- 2 GAS LINE STEEL PIPE.
- 3 WROUGHT IRON STRAPS GRINNELL FIG. 2L2 (OR EQUAL)
OVERSIZE (2 SIZES) TO ALLOW FOR PIPE MOVEMENT.
PAINT PIPING WITH COLOUR TO GAS AUTHORITY
REQUIREMENTS.
- 4 STAINLESS STEEL ANCHORS.

5 GAS PIPE SUPPORT DETAIL
M08 N.T.S.



6 FLOOR DRAIN TRAP PRIMER DETAIL
M08 N.T.S.



7 3-WAY VALVE PIPING DETAIL
M08 N.T.S.

0	ISSUED FOR TENDER	DL	2008.11.28
NO.	REVISION/DESCRIPTION	BY	DATE

EARTH TECH | AECOM

DRAWN BY	DL	CHECKED BY	PVL	APPROVED	PVL
DATE	2008.08.31	USER APPROVAL			

Winnipeg CITY OF WINNIPEG
PLANNING, PROPERTY AND
DEVELOPMENT DEPARTMENT
CIVIC ACCOMMODATIONS DIVISION
300 - 65 GARRY ST. R3C 4K4

PROJECT
CONFEDERATION BUILDING
SUPPLEMENTARY HEATING UPGRADES
PHASE 1 - CITY BID OPP. NO. 757-2008
457 MAIN STREET, WINNIPEG, MANITOBA

SHEET TITLE
MECHANICAL
DETAILS AND SECTIONS



APEGM
Certificate of Authorization
Earth Tech Canada Inc.
No. 730 Expiry: April 30, 2009

AECOM
© 2008 EARTH TECH (CANADA) INC. ALL RIGHTS RESERVED.
THIS DOCUMENT IS PROTECTED BY COPYRIGHT LAW AND MAY NOT BE USED, REPRODUCED
OR MODIFIED IN ANY MANNER OR FOR ANY PURPOSE EXCEPT WITH THE WRITTEN PERMISSION
OF EARTH TECH (CANADA) INC. DOING BUSINESS AS AECOM (AECOM) OR A PARTY TO WHICH
ITS COPYRIGHT HAS BEEN ASSIGNED. AECOM ACCEPTS NO RESPONSIBILITY, AND DENIES
ANY LIABILITY WHATSOEVER, TO ANY PARTY THAT USES, REPRODUCES, MODIFIES, OR RELIES
ON THIS DOCUMENT WITHOUT AECOM'S EXPRESS WRITTEN CONSENT.

SCALE	PROJECT NO.	SHEET NO.
AS SHOWN	105111	M08