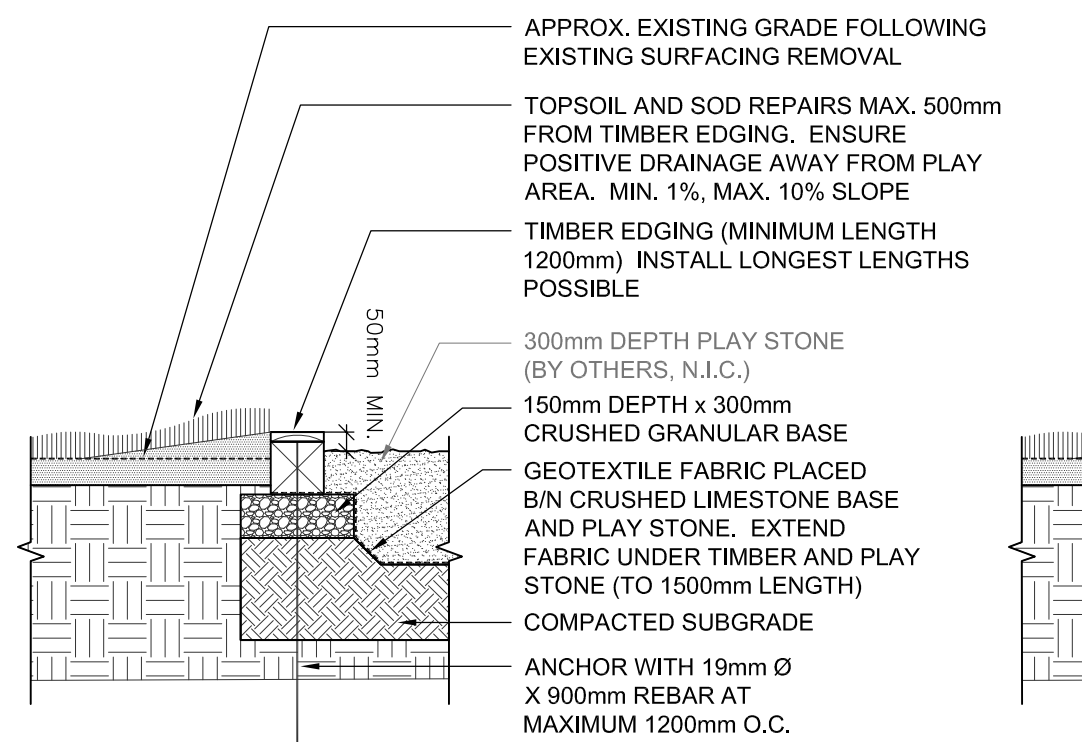
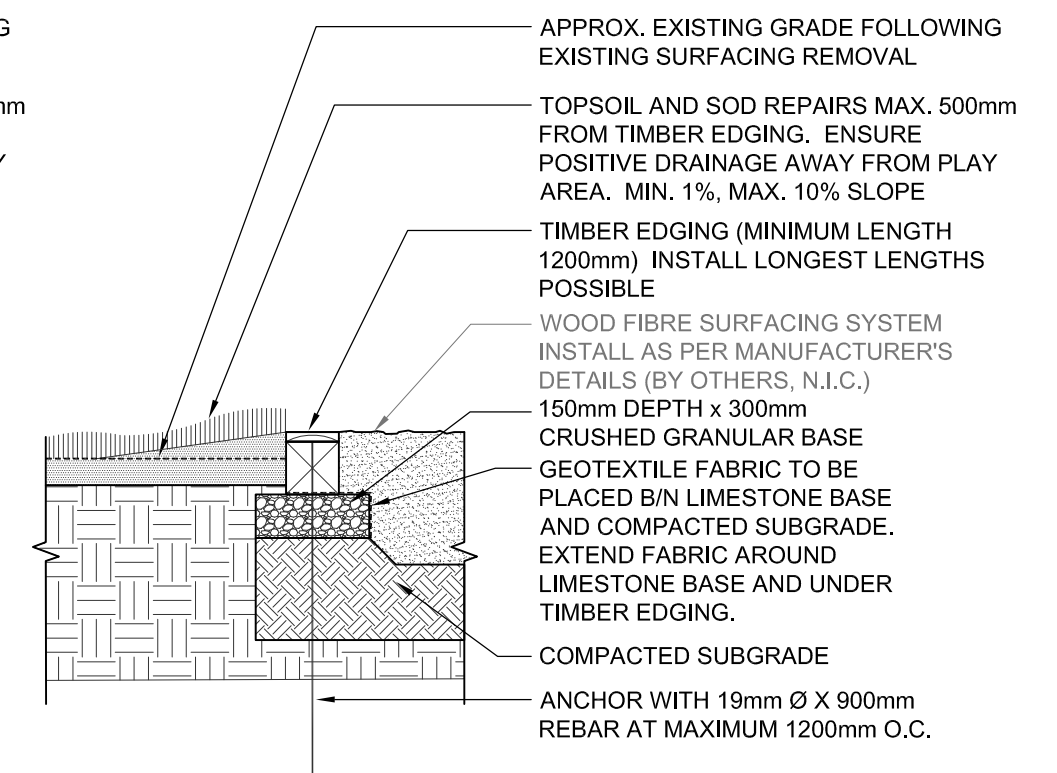


1 CRUSHED GRANULAR PATHWAY / PAVING - TYPICAL SECTION
SW-D1 SCALE: NTS

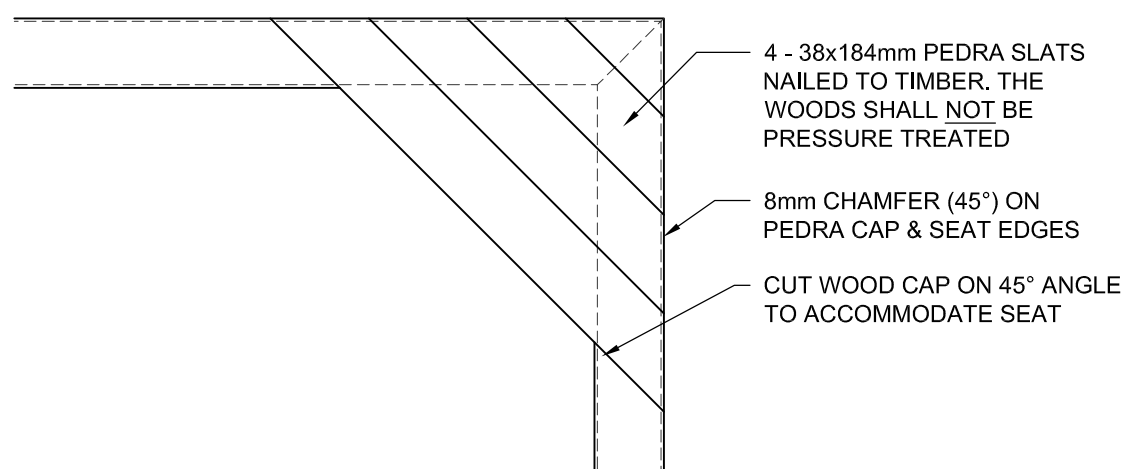


2 TIMBER EDGING W/ PLAY STONE
SW-D1 SCALE: NTS

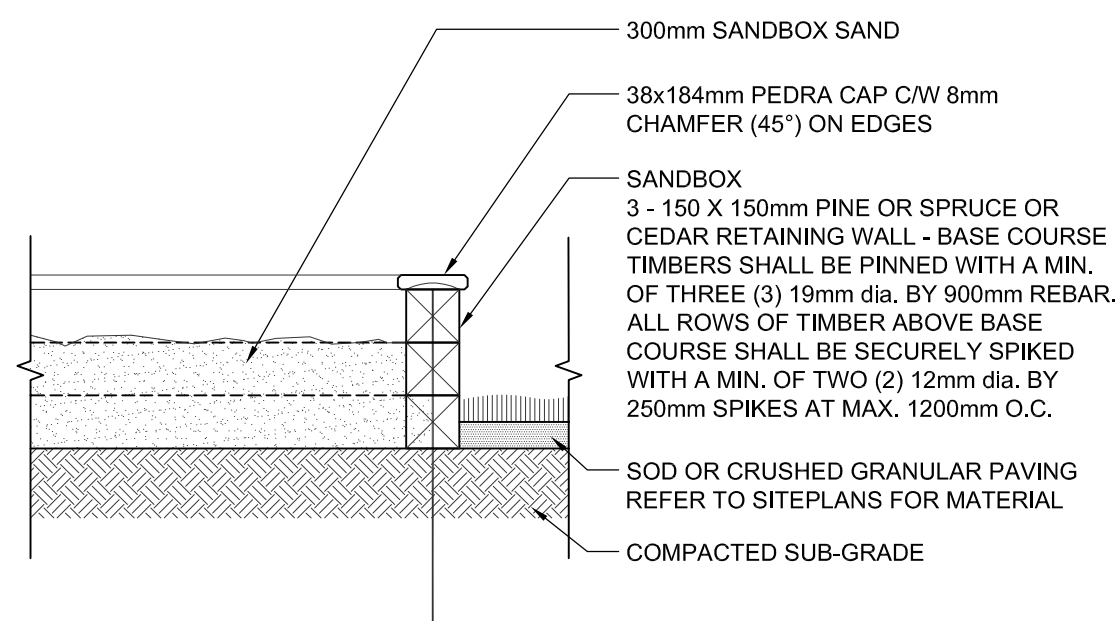
TIMBER EDGING NOTE:
 BASE COURSE: 150mm x 150mm ACQ PRESSURE TREATED PINE OR SPRUCE
 PEDRA CAP: 32mm X 150mm, SET WITH GRAIN OF WOOD CURVED DOWN AS SHOWN
 REFER TO WRITTEN SPECIFICATIONS FOR DETAILS



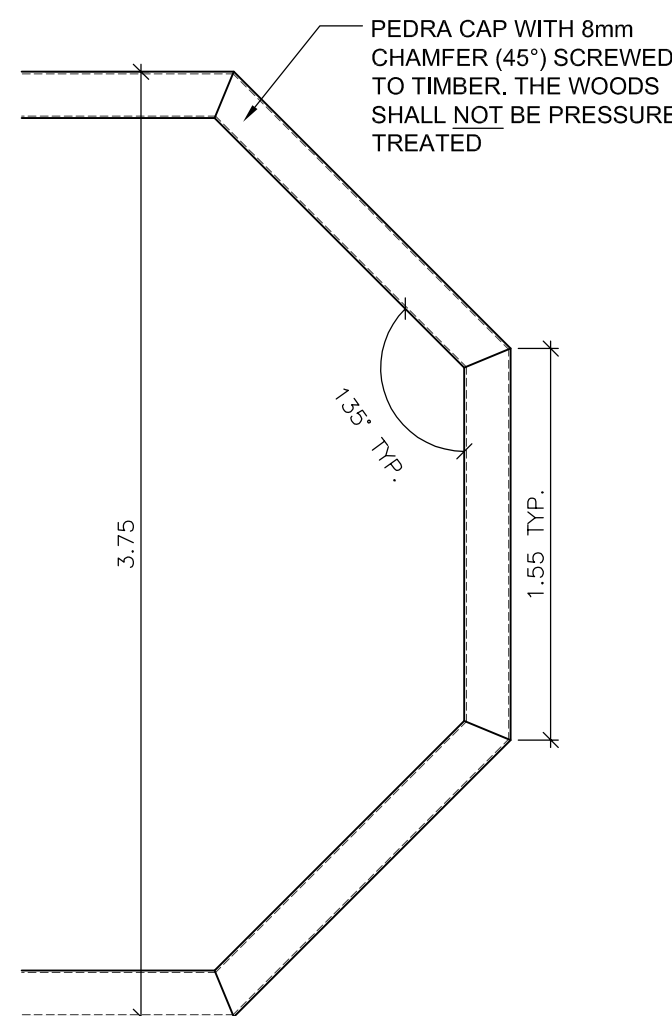
3 TIMBER EDGING W/ WOOD FIBRE SYSTEM
SW-D1 SCALE: NTS



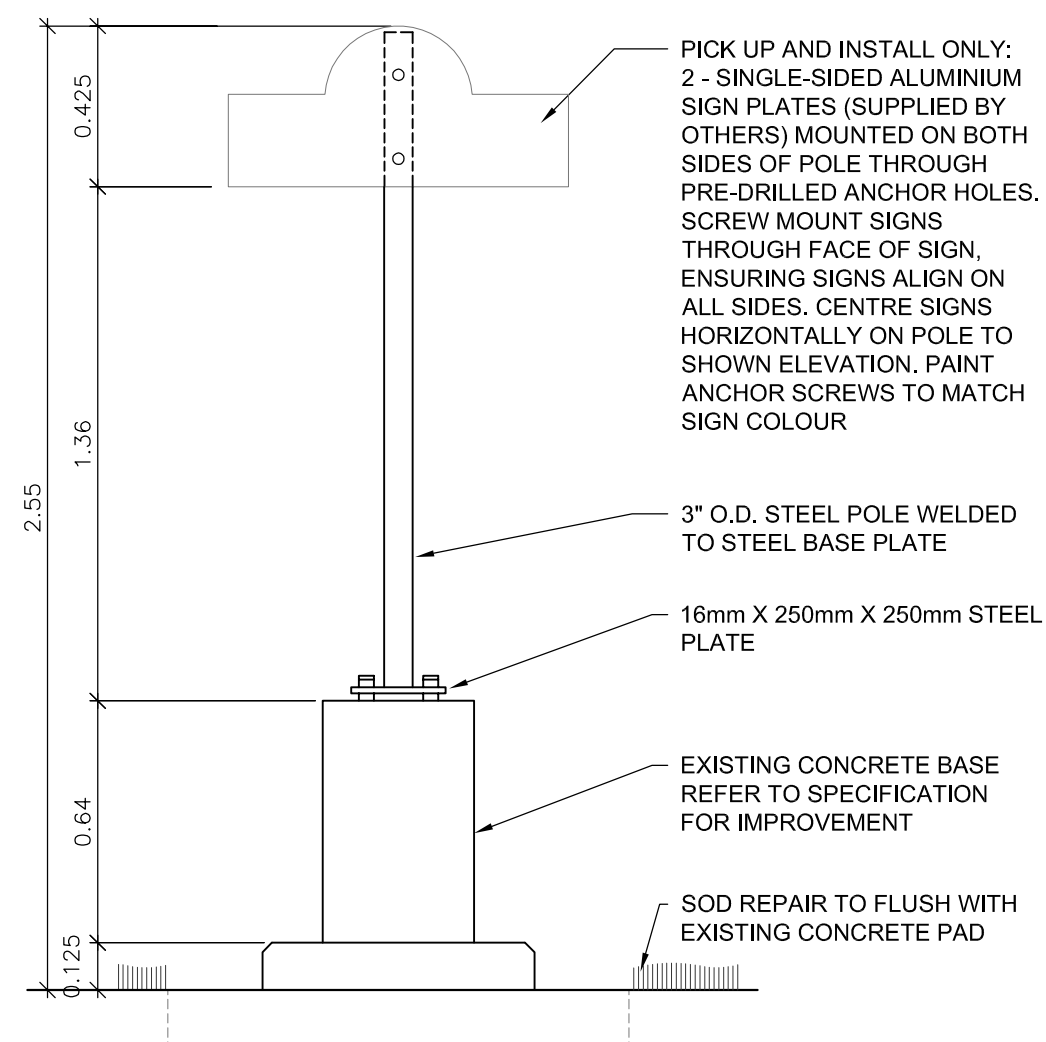
4 SQUARE SANDBOX - CORNER SEAT DETAILS
SW-D1 SCALE: NTS



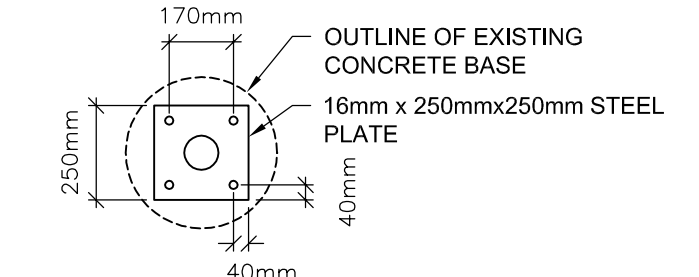
5 TYPICAL SANDBOX CROSS SECTION
SW-D1 SCALE: NTS



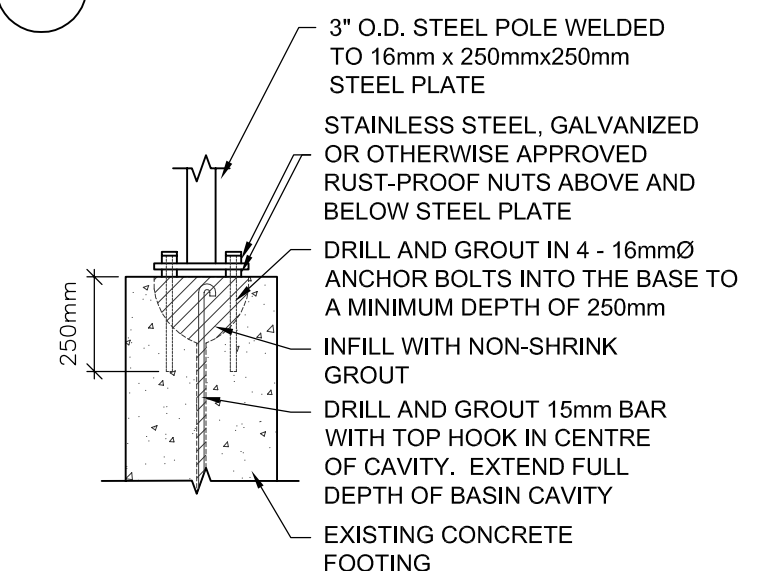
6 OCTAGON SAND BOX - PLAN
SW-D1 SCALE: NTS



A ENTRY SIGN ELEVATION



B BASE PLATE - PLAN



C BASE PLATE - ELEVATION

NOTE:
 1. ALL METAL TO BE PRIMED AND PAINTED
 2. ALSO REFER TO WRITTEN SPECIFICATIONS
 3. CONCRETE TO BE CLEANED AND PAINTED - REFER TO SPECIFICATION

7 GALMAR PARK ENTRY SIGN DETAIL
SW-D1 SCALE: NTS

All measurements in meters, unless otherwise noted.



DESIGNED BY	JW	CHECKED BY	DM
DRAWN BY	WF/JW	APPROVED BY	DM
HOR. SCALE:	AS SHOWN	RELEASED FOR CONSTRUCTION:	
VERTICAL:			
DATE	2008.10.01	DATE	

LANDSCAPE ARCHITECT'S SEAL



THE CITY OF WINNIPEG
 DEPARTMENT OF PLANNING,
 PROPERTY AND DEVELOPMENT

PROJECT TITLE
 ST. JAMES/BROOKLANDS PLAYGROUND RENOVATIONS
 SITE WORKS AND FURNISHINGS

SHEET **07** OF **07**

COMPUTER FILE NAME
 8027-SITE-D1.DWG

DETAILS

CITY DRAWING NUMBER
SW-D1

RO	ISSUED FOR TENDER	08.10.01	JW
NO.	REVISION	DATE	BY