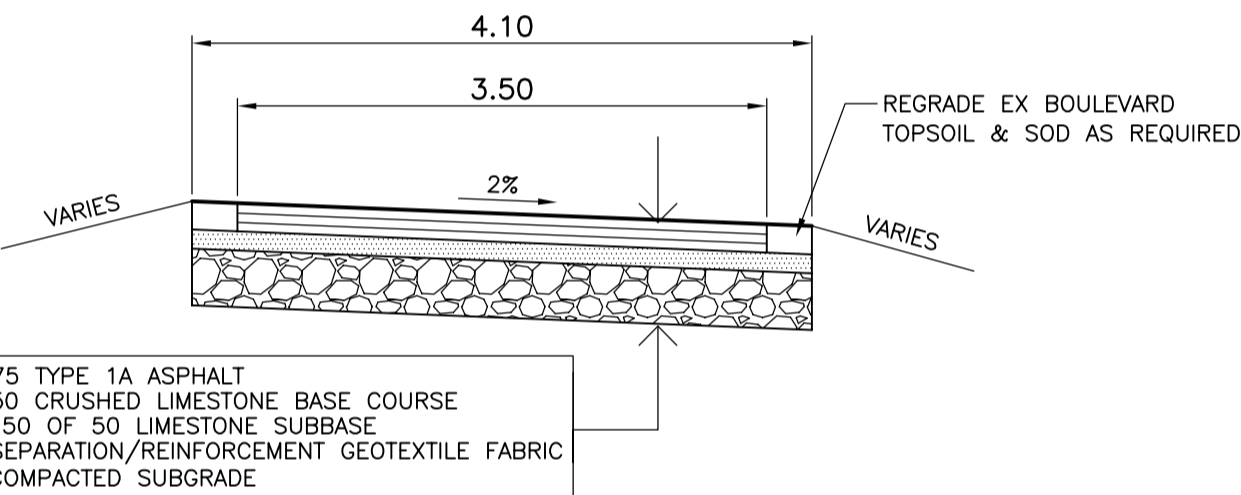


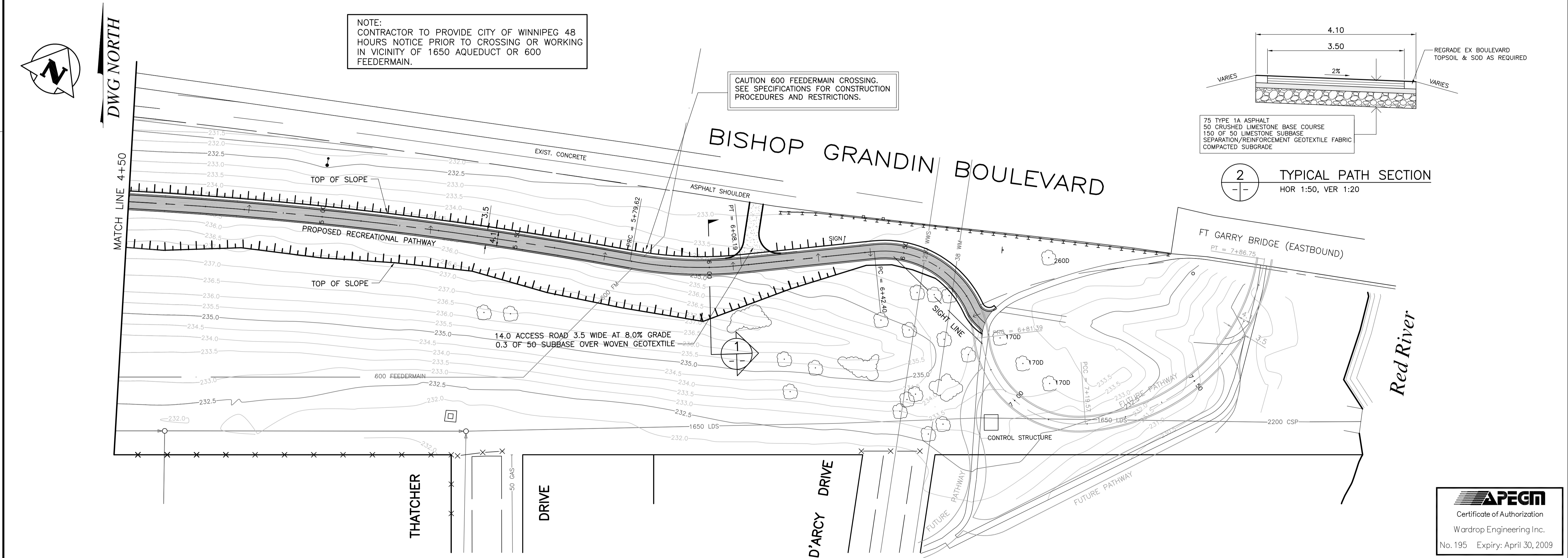
1 PATHWAY SECTION AT STA 6+00
HOR 1:200, VER 1:100



2 TYPICAL PATH SECTION
HOR 1:50, VER 1:20

NOTE:
CONTRACTOR TO PROVIDE CITY OF WINNIPEG 48 HOURS NOTICE PRIOR TO CROSSING OR WORKING IN VICINITY OF 1650 AQUEDUCT OR 600 FEEDERMAIN.

CAUTION 600 FEEDERMAIN CROSSING.
SEE SPECIFICATIONS FOR CONSTRUCTION PROCEDURES AND RESTRICTIONS.



APEGM
Certificate of Authorization
Wardrop Engineering Inc.
No. 195 Expiry: April 30, 2009

150 WM	WATERMAIN	150 WM)	PLUG)	TRAFFIC SIGNAL	
400 FM	FEEDERMAIN	400 FM	o	MANHOLE	o	GAS	
300 LDS	LAND DRAINAGE SEWER	300 LDS	□	CATCHBASIN	□	HYDRO	
250 WWS	WASTEWATER SEWER	250 WWS	▽	CURB INLET	▽	MTS	
300 CS	COMBINED SEWER	300 CS	•	HYDRO POLE	•	ELEVATION	(32.000)
200 FCM	FORCEMAIN	200 FCM	+	LIGHT STANDARD	+	SIDEWALK	▬▬▬▬▬▬
⊕	JUNCTIONS	⊕	⊕	ANCHOR	⊕	CURB	▬▬▬▬▬▬
⊕	HYDRANT	⊕	⊕	TREE	⊕	ASPHALT	▬▬▬▬▬▬
⊕	VALVE	⊕	⊕	LEGAL DIMENSION	⊕	CONCRETE	▬▬▬▬▬▬
⊕	CURB STOP	⊕	⊕	SURVEY BAR	⊕		
EXISTING	LEGEND-PLAN	PROPOSED	EXISTING	LEGEND-PLAN	PROPOSED	EXISTING	LEGEND-PLAN

LOCATION APPROVED UNDERGROUND STRUCTURES

SUPV. U/G STRUCTURES COMMITTEE DATE

NOTE:
LOCATION OF UNDERGROUND STRUCTURES AS SHOWN ARE BASED ON THE BEST INFORMATION AVAILABLE. BUT NO GUARANTEE IS GIVEN THAT ALL EXISTING UTILITIES ARE SHOWN OR THAT THE GIVEN LOCATIONS ARE EXACT. CONFIRMATION OF EXISTENCE AND EXACT LOCATION OF ALL SERVICES MUST BE OBTAINED FROM THE INDIVIDUAL UTILITIES BEFORE PROCEEDING WITH CONSTRUCTION.

B.M. ELEV.	F.B.
A	ISSUED FOR TENDER
NO.	REVISIONS

WARDROP Engineering Inc.

DESIGNED BY	DAL	CHECKED BY	
DRAWN BY	GMD	APPROVED BY	
HOR. SCALE:	1 : 500	RELEASED FOR CONSTRUCTION	
VERTICAL:	1 : 20		
DATE	08.07.15	DATE	

PRELIMINARY DRAWING

NOT TO BE USED FOR CONSTRUCTION

CONSULTANT DRAWING NO. 0800070400-DWG-C0002-A

THE CITY OF WINNIPEG
PUBLIC WORKS DEPARTMENT
ENGINEERING DIVISION

2008 RECREATIONAL WALKWAYS AND BIKE PATH PROGRAM

BISHOP GRANDIN BOULEVARD FROM PEMBINA HWY TO FORT GARRY BRIDGE STATION 4+50 TO STATION 6+78

CITY DRAWING NUMBER
SHEET 2 OF 4
C0002