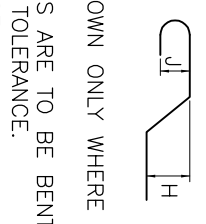


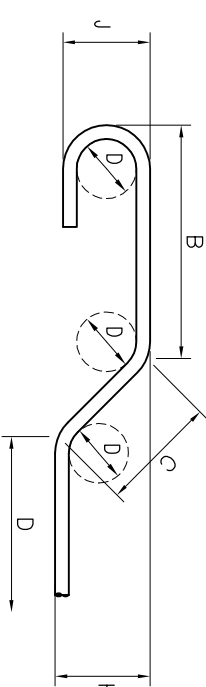
Table with columns: MARK, NO. BARS, SIZE, LENGTH, TYPE, A, B, C, D, E, F, G, H, J, K, O, R, TOTAL (m), MASS (kg). Rows include various bar types like D1601X, D1602X, etc.

NOTES:

- 1. ALL DIMENSIONS ARE OUT-TO-OUT OF A BAR EXCEPT "X" AND "Y" DIMENSIONS ON 180° HOOKS TO BE SHOWN ONLY WHERE NECESSARY TO RESTRICT HOOK SIZE. OTHERWISE STANDARD HOOKS TO BE USED.
2. DIMENSION "H" SHOULD BE SHOWN ONLY WHERE NECESSARY TO FIT WITHIN CONCRETE.
3. ON STRIPS, "J" WILL BE KEPT EQUAL TO "H" UNLESS OTHERWISE NOTED.



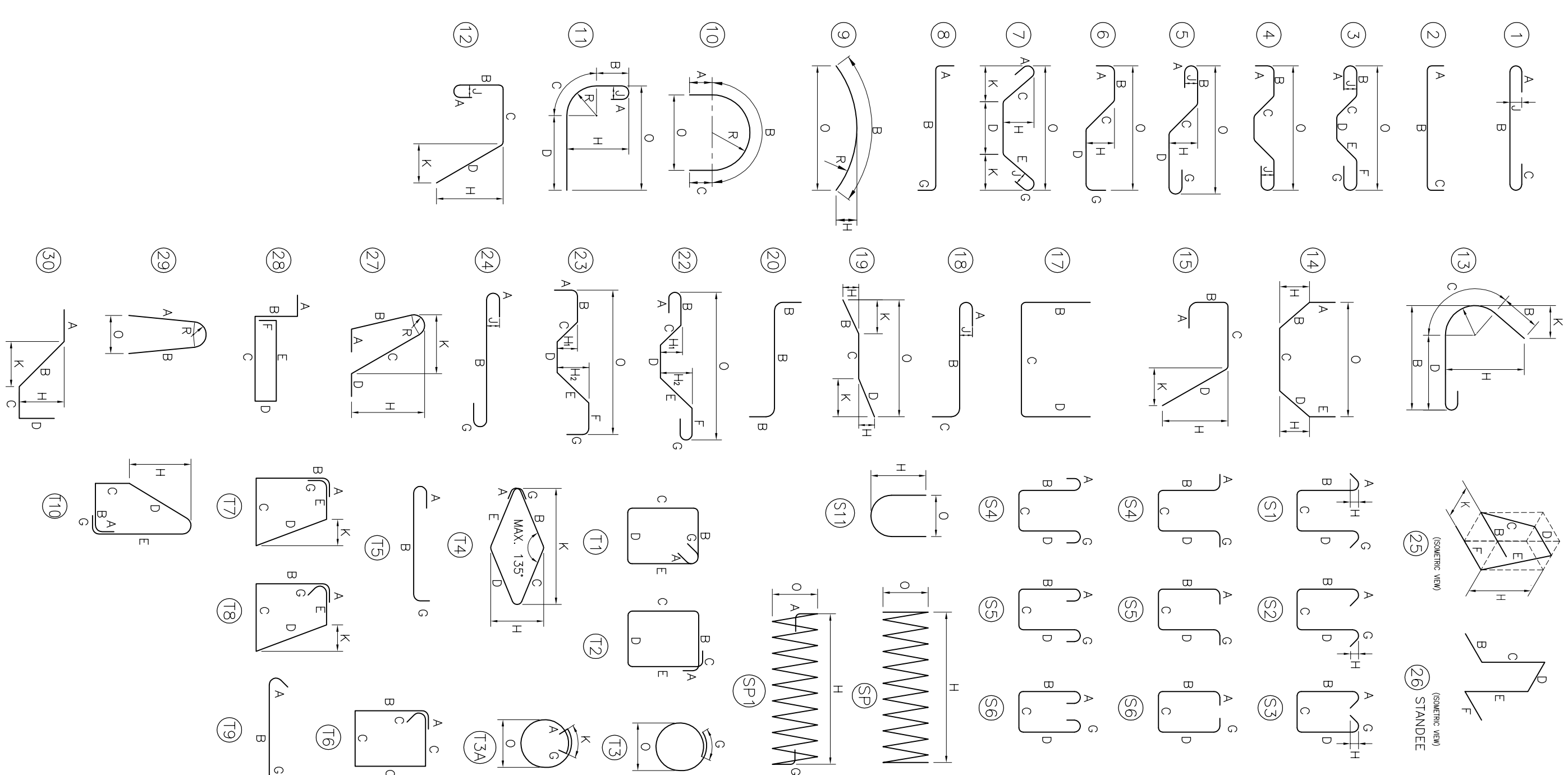
UNLESS OTHERWISE NOTED DIMETER "D" IS THE SAME FOR ALL HOOKS AND BENDS ON A BAR. WHERE SLOPE DIFFERS FROM 45° DIMENSIONS "H" AND "X" MUST BE SHOWN.



ENLARGED VIEW BAR BENDING DETAILS

Table with columns: MARK, NO. BARS, SIZE, LENGTH, TYPE, A, B, C, D, E, F, G, H, J, K, O, R, TOTAL, MASS. Rows include various bar types like E1601X, E1602X, etc.

BENDING DIAGRAMS:



MWF-X2 REINFORCING STEEL SHALL BE FABRICATED IN ACCORDANCE WITH THE LATEST EDITION OF THE ACCORDANCE WITH THE MANUAL OF STANDARD PRACTICE BY THE REINFORCING STEEL INSTITUTE OF CANADA (RSIC), TO THE LENGTHS AND SHAPES AS SHOWN ON THE DRAWINGS.

Logo for APEGIN Certificate of Authorization, Wardrop Engineering Inc., No. 196, Date: April 30, 2008.

Table with columns: NO., ISSUED FOR TENDER, DATE, BY, E.F.S., DATE, BY. Includes revision information.

Logo for WRDRO P Engineering Inc. and a table with columns: DESIGNED BY, CHECKED BY, K.Y., P.S./C.L., APPROVED BY, DATE.

Logo for PRELIMINARY DRAWING NOT TO BE USED FOR CONSTRUCTION.

Logo for THE CITY OF WINNIPEG PUBLIC WORKS DEPARTMENT TRANSPORTATION ENGINEERING DIVISION, FORT GARRY TWIN BRIDGES WESTBOUND STRUCTURE REHABILITATION AND ASSOCIATED ROADWORKS REINFORCING SCHEDULE 1 (MMFX 2).

Table with columns: CITY DRAWING NUMBER, SHEET, OF, 1, 1.