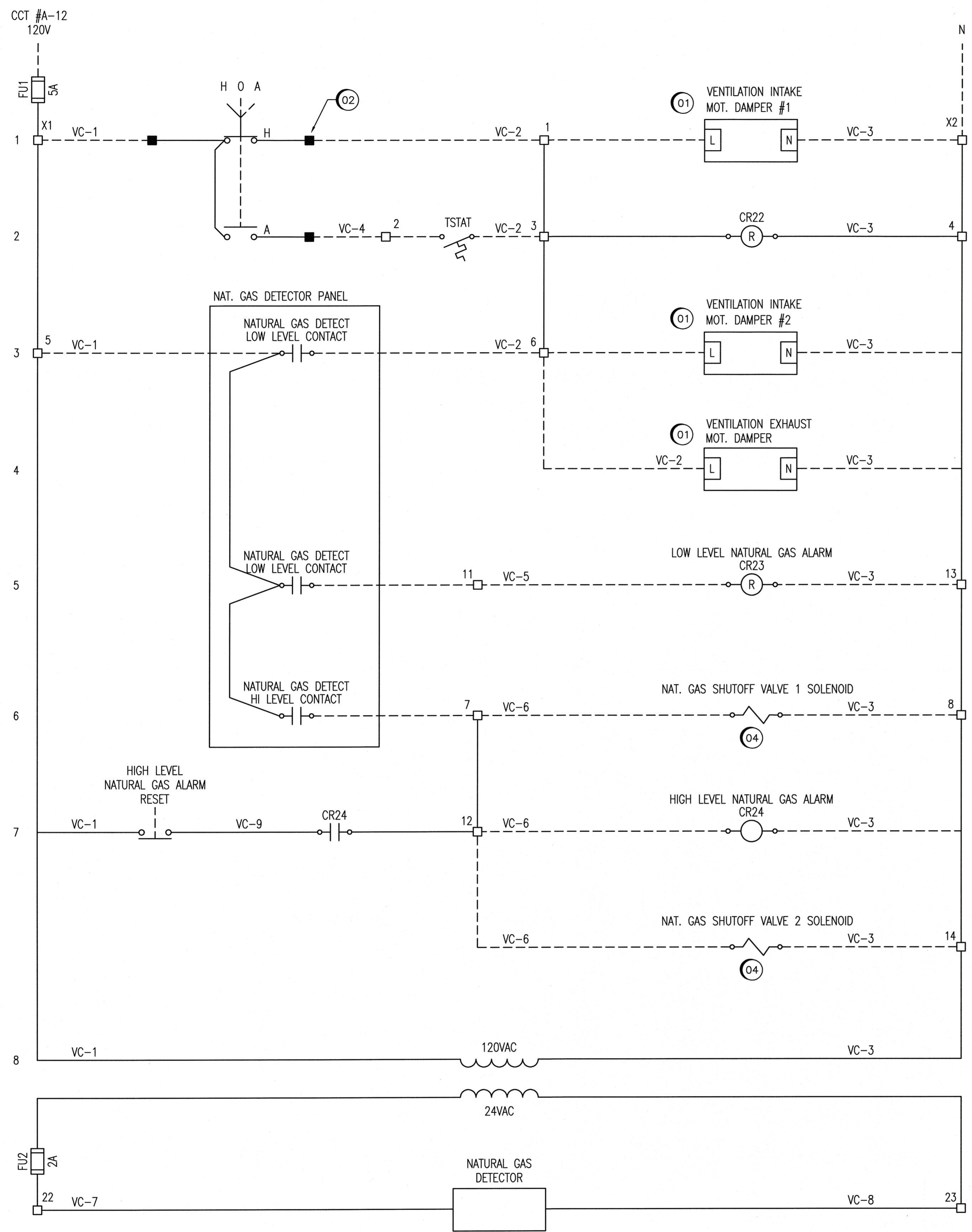


A1 SIZE - 594mm x 841mm
 LAST SAVE: 2009/01/28 - 3:18pm
 PATH: M:\113049\VENG\VELE\DD - General DWG\113049-47DD-0000-0006.dwg



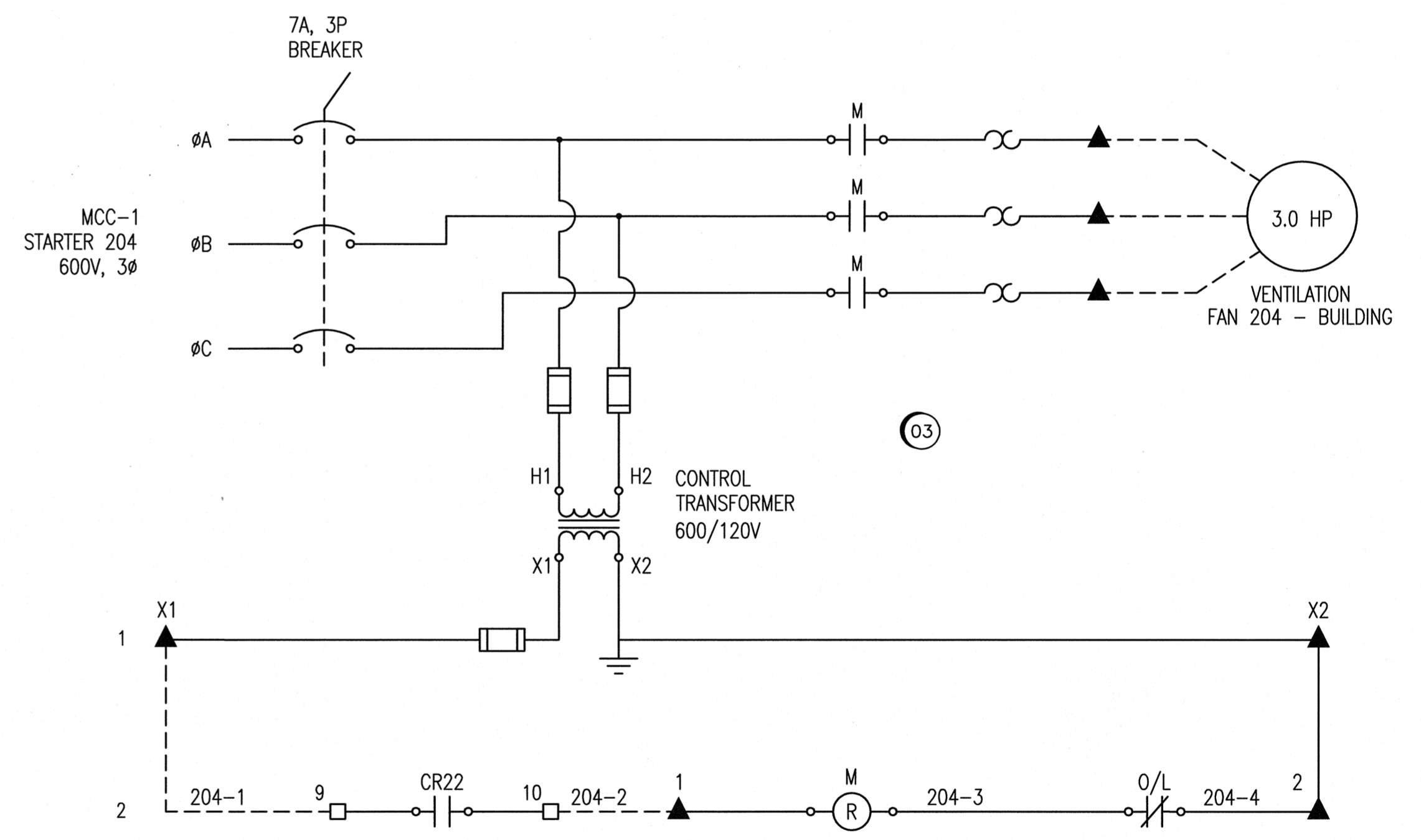
ELEMENTARY DIAGRAM - VENTILATION / COMBUSTION AIR CONTROL
NTS

LEGEND:

- JUNCTION BOX #1 TERMINAL
- MCC-1 CONTROL CABINET TERMINAL
- ▲ MAGNETIC MOTOR STARTER TERMINAL
- |○ CONTACTOR
- (R) RELAY
- - - - - FIELD WIRING
- WIRING INSIDE ENCLOSURE

- GENERAL NOTES:**
- THE ELEMENTARY DIAGRAMS AND WIRING SCHEMATICS SHOW THE DESIGN INTENT. IT IS THE RESPONSIBILITY OF THE ELECTRICAL SUBCONTRACTOR TO SITE VERIFY EXISTING SYSTEMS, AND TO PROVIDE ALL DEVICES, MATERIALS, AND LABOUR FOR A COMPLETE AND FUNCTIONAL SYSTEM. THE ELECTRICAL SUBCONTRACTOR SHALL SITE VERIFY EXISTING TERMINAL BLOCKS AND CABLING WITHIN THE MCC-1 CONTROL CABINET AND STARTER 204 IN ORDER TO TIE INTO THE NEW VENTILATION SYSTEM.
 - ALL WIRING SHALL BE A MINIMUM #14 AWG COPPER, RW90.

- SPECIFIC NOTES:**
- VENTILATION INTAKE DAMPER, AND VENTILATION EXHAUST DAMPER SHALL BE SPRING RETURN CLOSED.
 - SITE CONFIRM SUITABLE TERMINALS WITHIN MCC-1 CONTROL ENCLOSURE FOR CONNECTIONS TO THE EXISTING HAND-OFF-AUTO SWITCH.
 - MODIFY THE EXISTING STARTER 204 FOR THE VENTILATION FAN (WITHIN MCC-1) TO BE AS SHOWN. TAG WIRES, AND TERMINAL BLOCKS AS PER THIS DRAWING.
 - NATURAL GAS VALVE SHUTOFF SHALL BE NORMALLY OPEN (SPRING OPEN).
 - LOW LEVEL NATURAL GAS ALARM WIRING TO SCADA FOR ALARM BACK TO MCPHILLIPS CONTROL STATION. SCADA ALARM TO BE COMMISSIONED BY THE CITY.
 - HIGH LEVEL NATURAL GAS ALARM WIRING TO SCADA FOR ALARM BACK TO MCPHILLIPS CONTROL STATION. SCADA ALARM TO BE COMMISSIONED BY THE CITY.



ELEMENTARY DIAGRAM - VENTILATION FAN STARTER
NTS

1044, 1046, 1048	SUPERCEDED DRAWING SET
06053	STRUCTURAL DRAWING SET
06051-06052	MECHANICAL DRAWING SET
06090-06092	ELECTRICAL DRAWING SET
06044-06049	ELECTRICAL DRAWING SET
DRAWING NUMBER	REFERENCE DRAWINGS

APECM
Certificate of Authorization
SNC-Lavalin Inc.
No. 4489 Expiry: April 30, 2008

B.M. ELEV.	FIELD BOOK #:		SNC-LAVALLIN INC. 148 Hudson Park Way Winnipeg, MB, Canada R3P 0X7 204-786-8080		 THE CITY OF WINNIPEG WATER AND WASTE DEPARTMENT
POSTED TO LBIS					
00 ISSUED FOR CONSTRUCTION	08/01/18	AED	DATE 07/05/25	DATE	WINDSOR PARK WASTEWATER PUMPING STATION GENERATOR UPGRADE ELEMENTARY DIAGRAM GENERATOR VENTILATION AND SHUTOFFS
NO. REVISIONS	DATE	BY	FILENAME: 113049-47DD-0000-0006.dwg	BID OPPORTUNITY NO. 66-2008	
					SHEET REV. SIZE 001 00 D