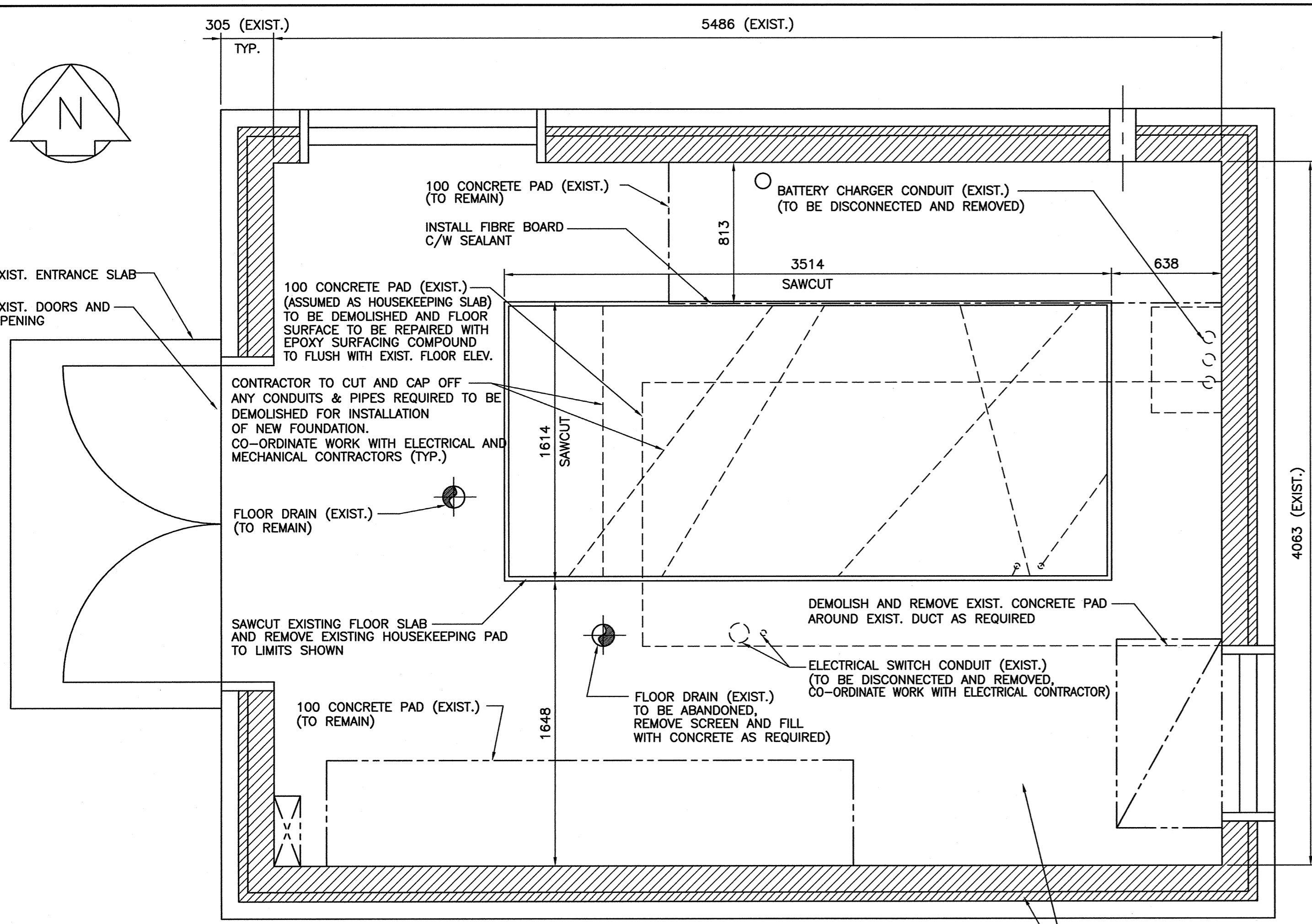
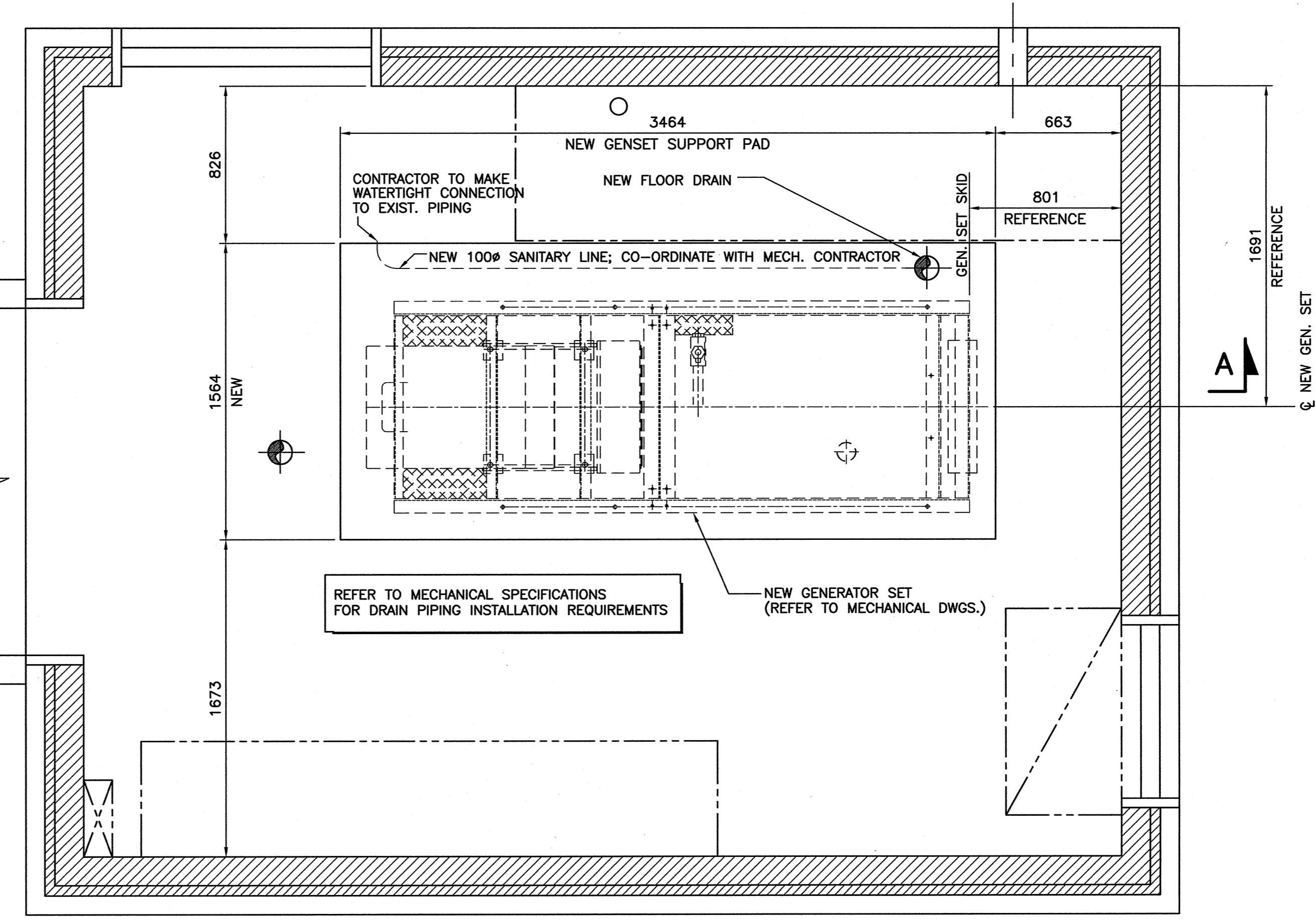


A1 SIZE - 594mm x 841mm

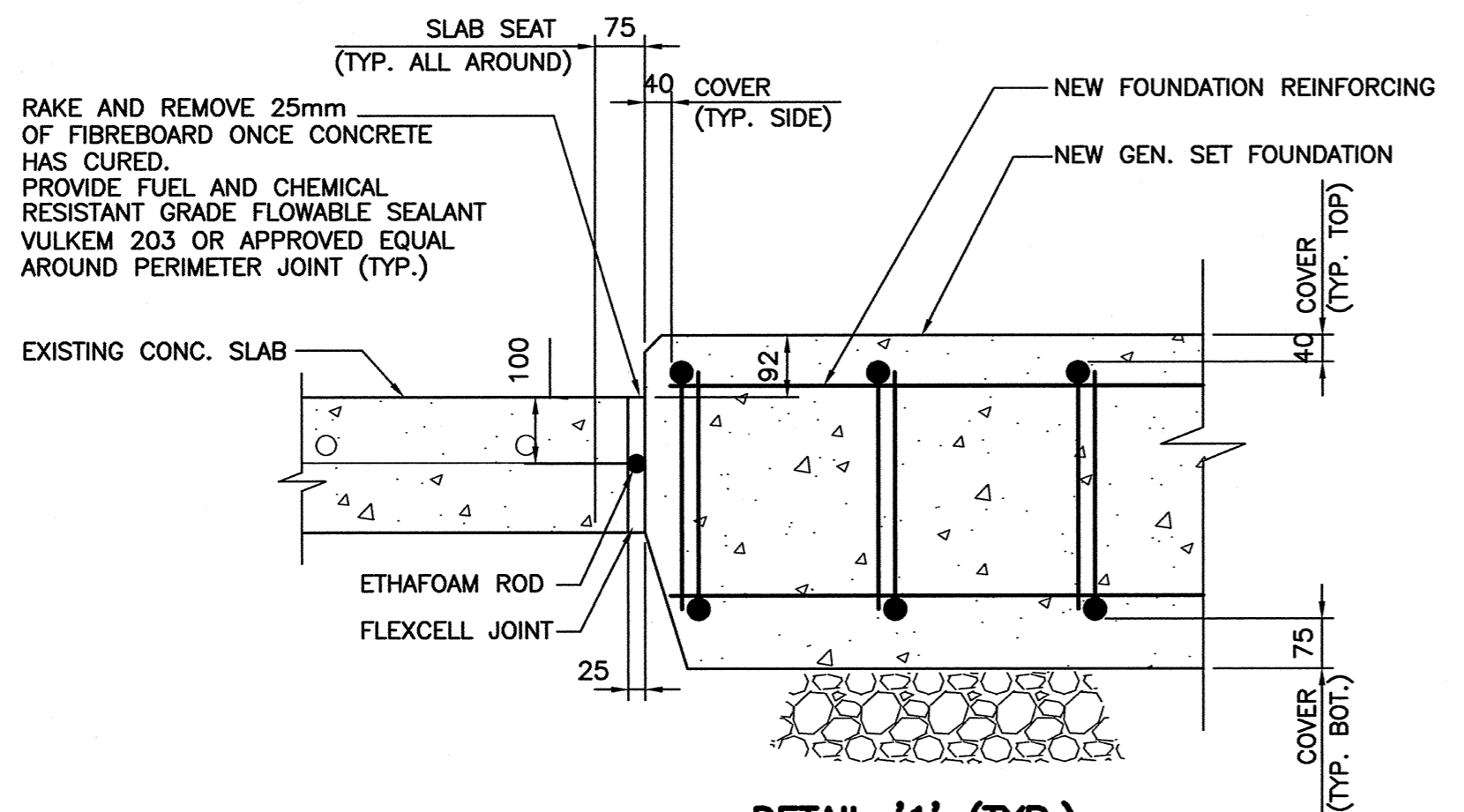
LAST SAVE: 2008/01/18 - 2:10pm
 PATH: M:\13049\GENSET\GENSETR.DWG - General DWG\13049-42DD-0000-0001.dwg



GENERATOR BUILDING - DEMOLITION PLAN
 SCALE 1:20

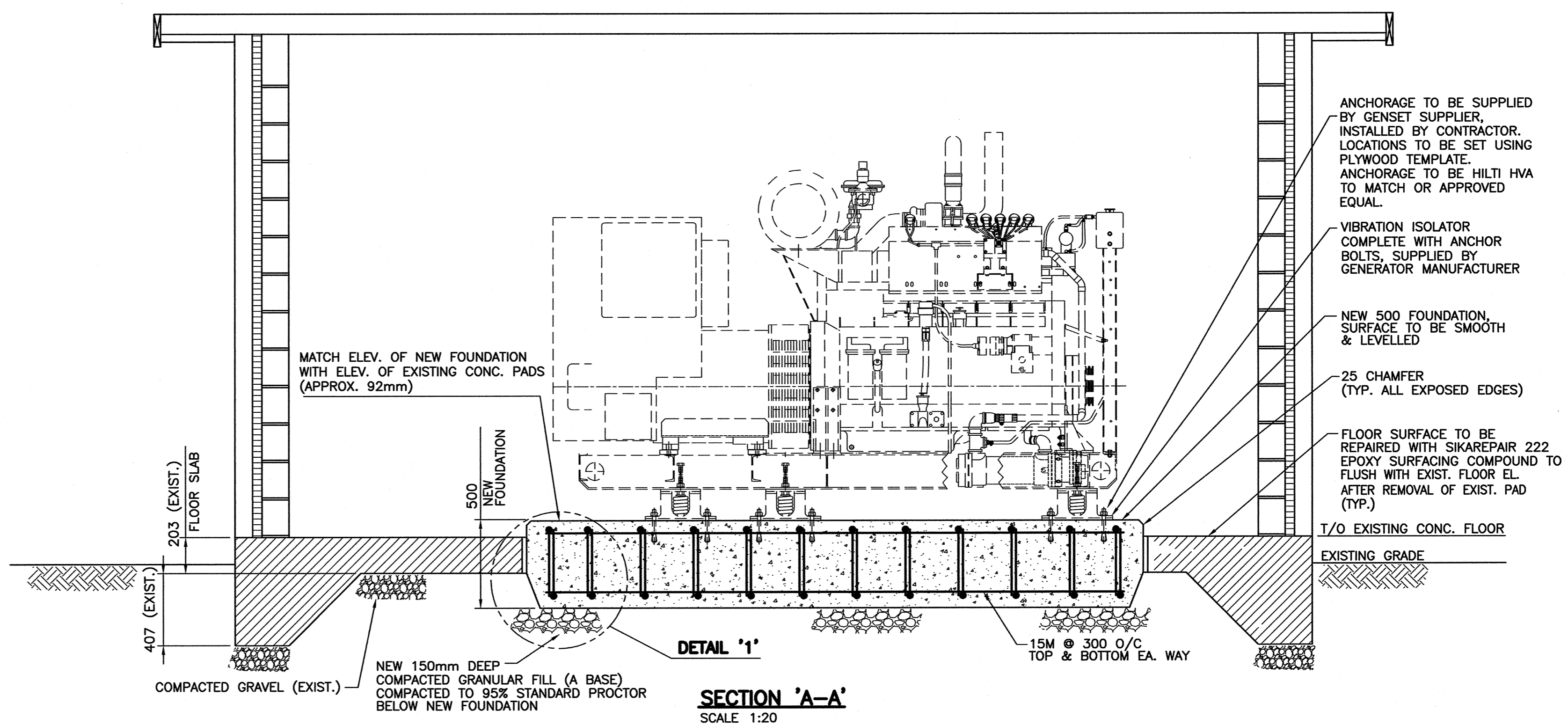


GENERATOR BUILDING - NEW GENSET SUPPORT PAD
 SCALE 1:20



DETAIL '1' (TYP.)
 SCALE 1:10

- GENERAL NOTES:**
- CO-ORDINATE CONCRETE WORK WITH MECHANICAL AND ELECTRICAL WORK.
- REINFORCING STEEL:**
- ALL REINFORCING STEEL TO BE CSA G30.12M 400 MPa DEFORMED BARS. REINFORCING STEEL COVER TO CONFORM TO LATEST EDITION OF CSA A23.3 AND AS FOLLOWS UNLESS OTHERWISE NOTED:
 SLAB TOP & SIDES - 40mm
 SLAB BOTTOM - 75mm
 - ALL REINFORCING TO BE HELD IN PLACE AND TIED WITH PROPER ACCESSORIES, SUCH AS HI-CHAIRS TO HAVE 4 LEGS AND TO BE STAPLED OR NAILED TO THE FRAMEWORK.
- CONCRETE:**
- ALL NEW CONCRETE SHALL HAVE A MINIMUM COMPRESSIVE STRENGTH EQUAL TO 70% OF ITS SPECIFIED 28 DAY STRENGTH PRIOR TO ANY LOADING OF THE CONCRETE SLABS.
 - CONCRETE SPECIFICATION:
 CEMENT - TYPE HSb CLASSIFICATION
 28 DAYS STRENGTH - 35 MPa
 SLUMP - 90mm MAX.
 MAXIMUM AGGREGATE - 20mm
 ENTRAINED AIR - 5% - 7%
 WATER/CEMENT RATIO - 0.40 MAX.
 - FULLY VIBRATE ALL CONCRETE DURING PLACEMENT.



SECTION 'A-A'
 SCALE 1:20

ENGINEERING SEAL APPLIES TO NEW GENSET PAD ONLY.

06051-06052	MECHANICAL DWGS. SET
06044-06049, 06090-06092	ELECTRICAL DWGS. SET
76012-04-E8	MISCELLANEOUS DETAILS
76012-04-E2	ORIGINAL DWG. OF DISTRIBUTION AND GENERATOR BUILDING LAYOUT
76012-04-A1	ORIGINAL DWG. OF GENERATING STATION PLAN, ELEVATIONS, SECTIONS AND DETAILS
DRAWING NUMBER	REFERENCE DRAWINGS

APEGM
 Certificate of Authorization
SNC-Lavalin Inc.
 No. 4489 Expiry: April 30, 2008

B.M. ELEV.	FIELD BOOK #:	SNC-LAVALIN INC. 148 Nature Park Way Winnipeg, MB, Canada R3P 0X7 204-786-8080
POSTED TO LBIS	DESIGNED BY D. COATES	CHECKED BY D. COATES
	DRAWN BY V. AFANASEV	APPROVED BY D. COATES
	HOR. SCALE 1:20	RELEASED FOR CONSTRUCTION
	VERTICAL 1:20	DATE 07/07/13
00 ISSUED FOR CONSTRUCTION	08/01/18 AEO	DATE 07/07/13
NO. REVISIONS	DATE BY	FILENAME: 113049-42DD-0000-0001.dwg

ENGINEER'S SEAL
PROVINCE OF MANITOBA
R. A. COATES
 Member
 3158
 REGISTERED PROFESSIONAL ENGINEER

THE CITY OF WINNIPEG
 WATER AND WASTE DEPARTMENT
 WINDSOR PARK WASTEWATER PUMPING STATION
 GENERATOR UPGRADE
 CONCRETE FOUNDATION
 PLAN VIEW AND SECTIONS

CITY DRAWING NUMBER
06053

SHEET REV. SIZE
 001 00 D

BID OPPORTUNITY NO. 66-2008