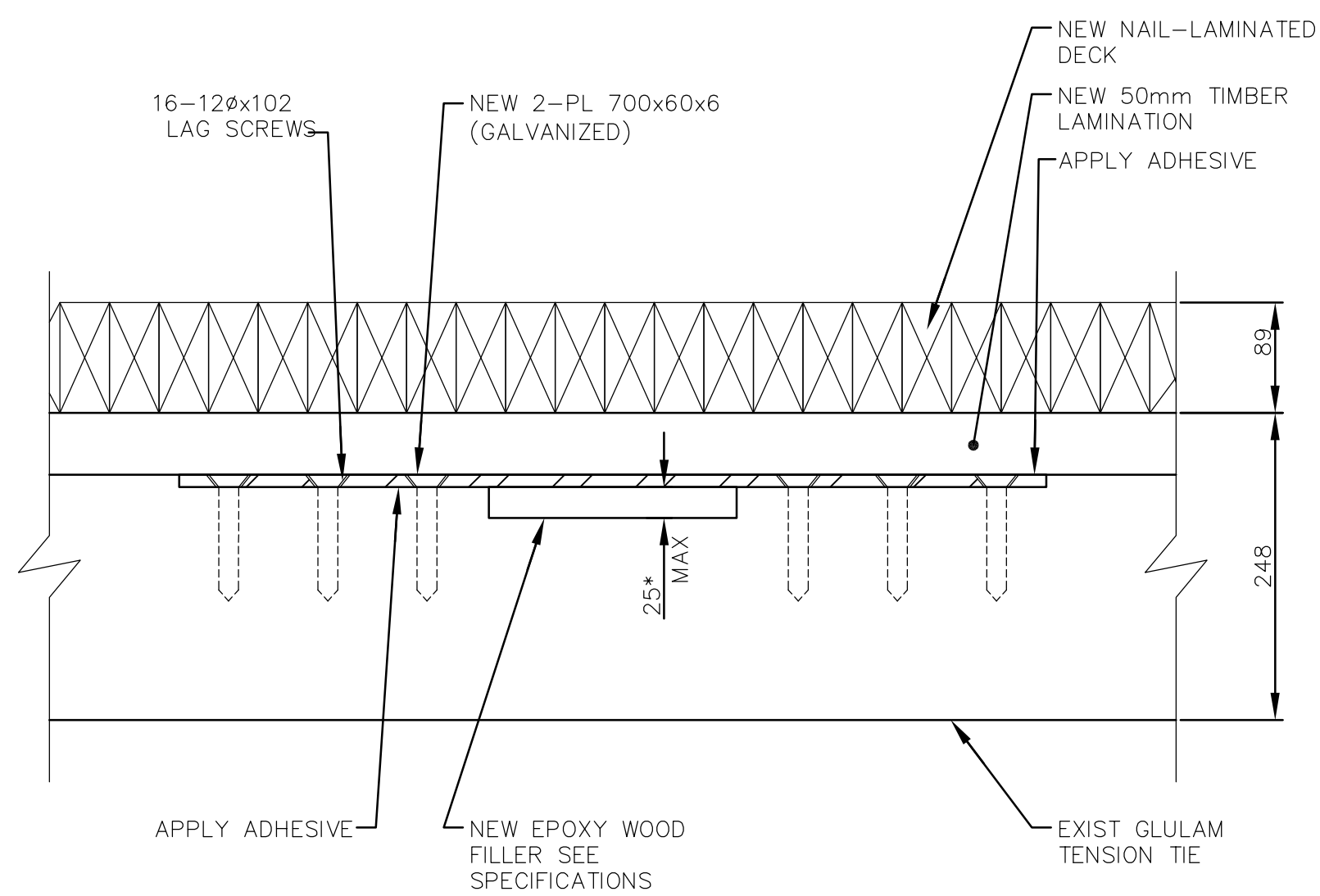
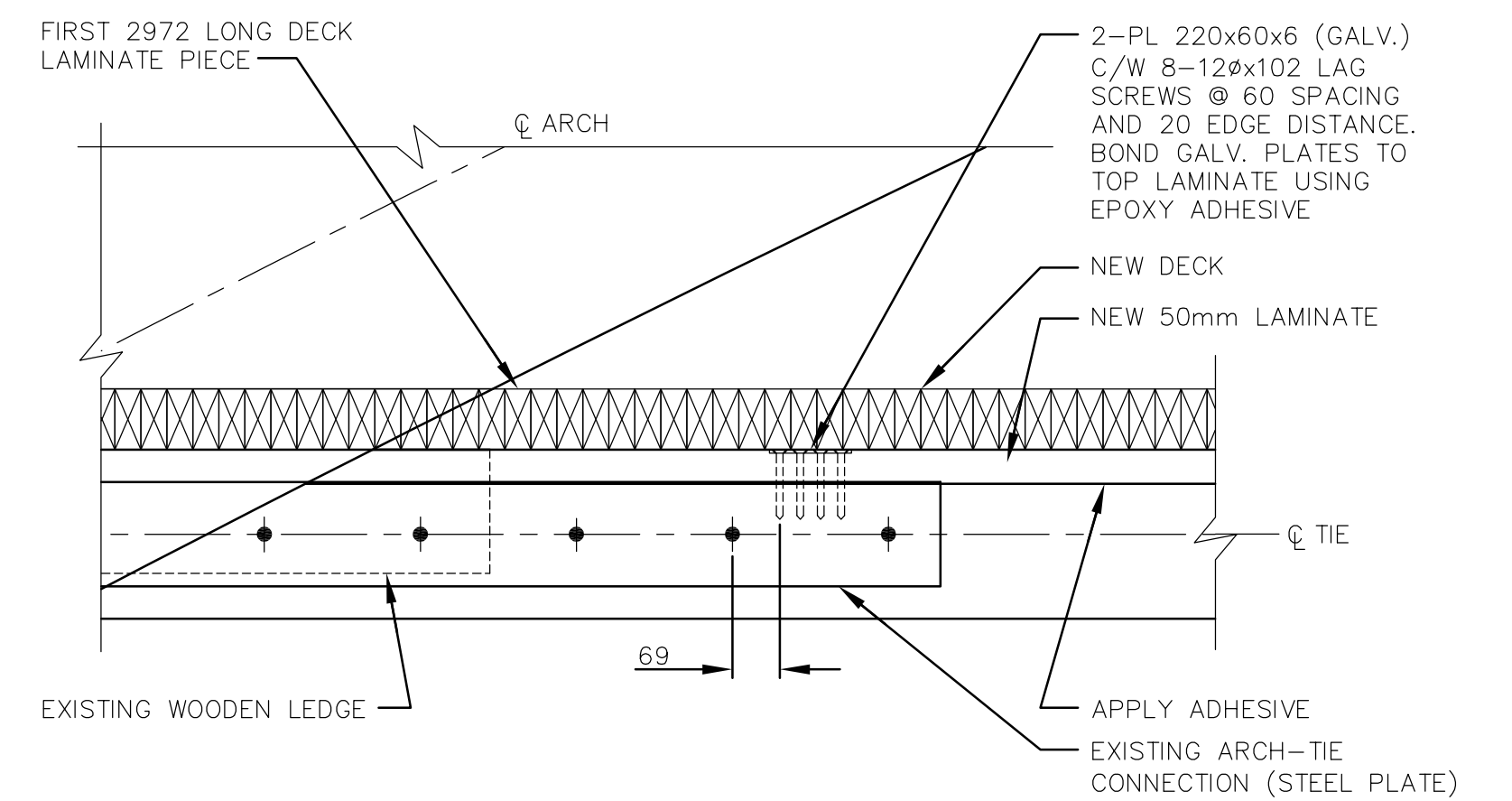


TYPICAL TENSION TIE REPAIR DETAIL – SPLICE AT HANGER ROD LOCATIONS
SCALE: 1:5

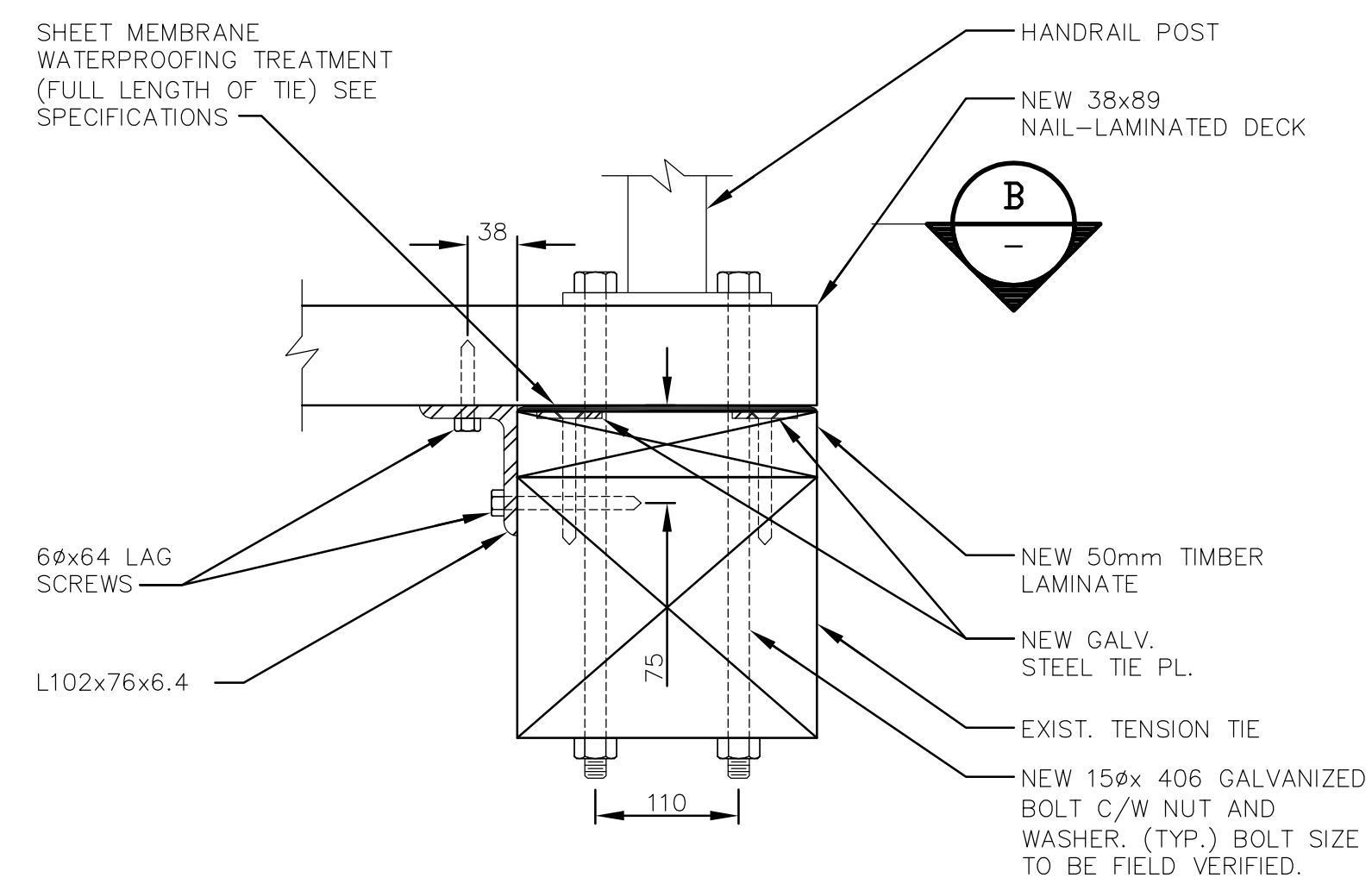


LOCALIZED TIE REPAIR DETAIL
SCALE: 1:5

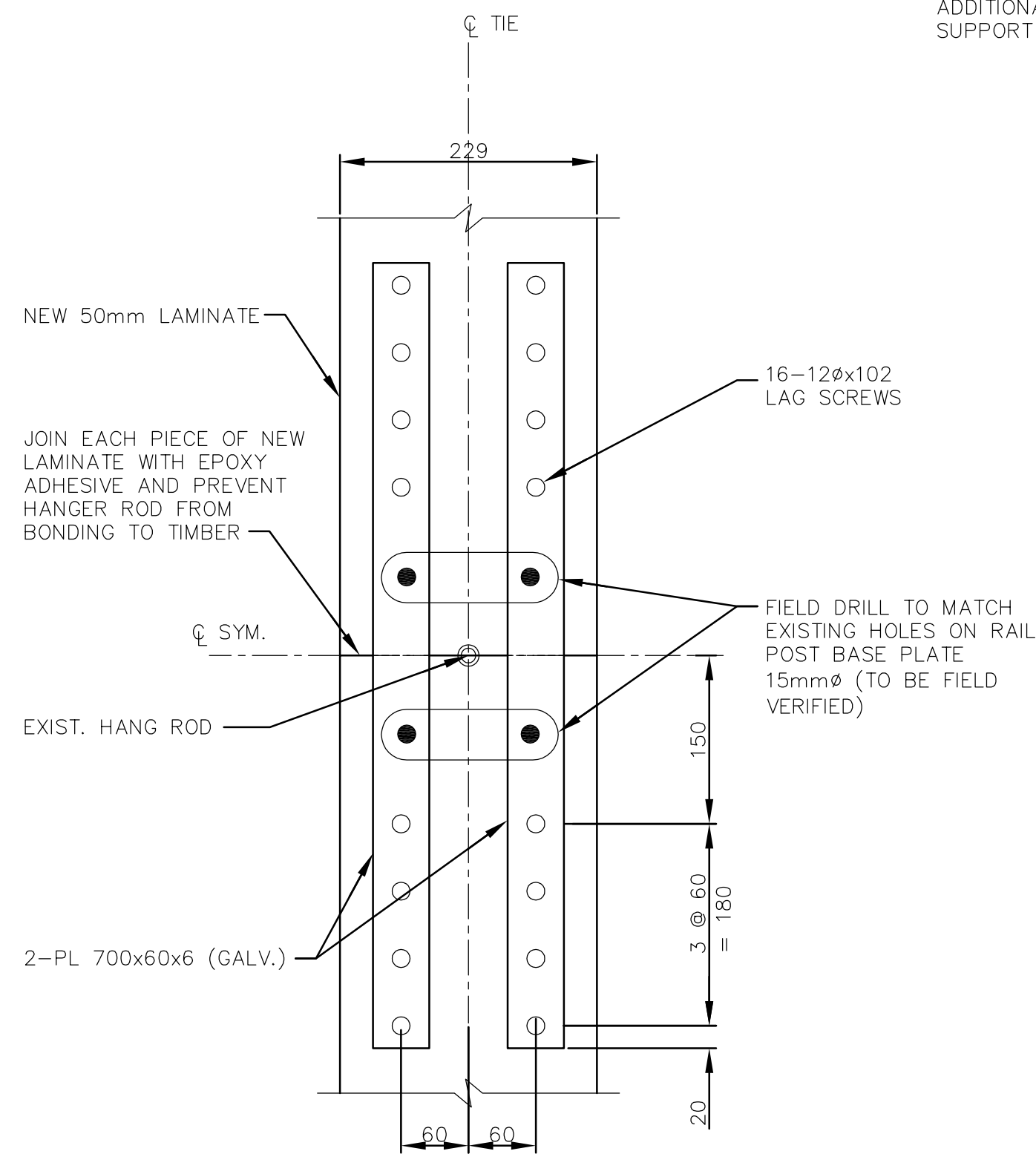
*CONTRACT ADMINISTRATOR TO PROVIDE SITE INSTRUCTION SHOULD THE REQUIRED REPAIR DEPTH EXCEED 25mm. ADDITIONAL SHORING/TEMPORARY SUPPORT MAY BE REQUIRED.



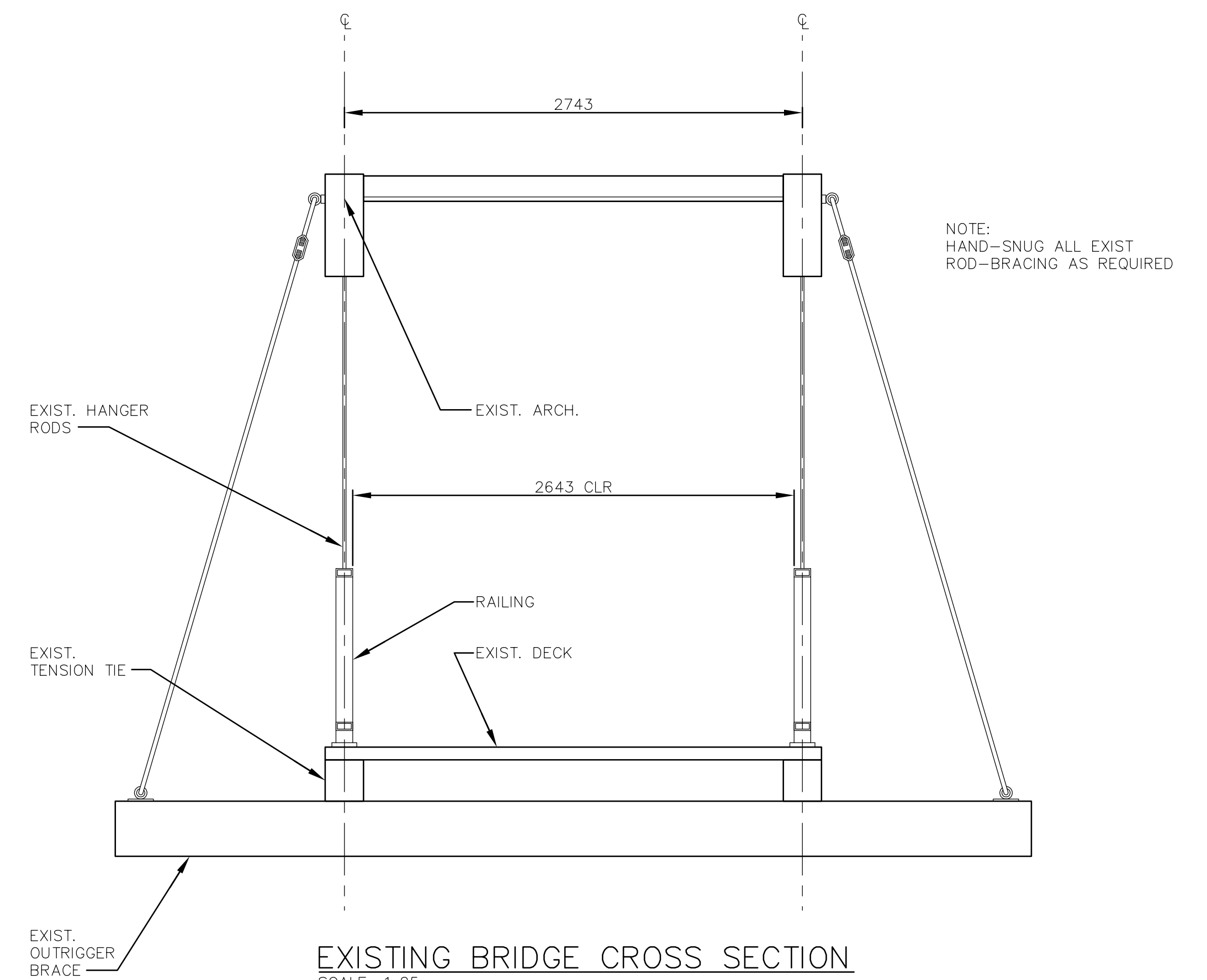
TENSION TIE REPAIR AT BRIDGE ENDS
SCALE: 1:10



SECTION A
SCALE: 1:5



SECTION B
SCALE: 1:5



EXISTING BRIDGE CROSS SECTION
SCALE: 1:25

NOTE: HAND-SNUG ALL EXIST ROD-BRACING AS REQUIRED

METRIC

ALL DIMENSIONS ARE IN mm UNLESS NOTED OTHERWISE



			THE CITY OF WINNIPEG PUBLIC WORKS DEPARTMENT ENGINEERING DIVISION LA BARRIERE PARK PEDESTRIAN BRIDGE WINNIPEG, MANITOBA	BID OPPORTUNITY 625-2008 SHEET 4 OF 6 CITY DRAWING NUMBER B130-08-04
DESIGNED BY: AP	CHECKED BY: ND	CONSULTANT DRAWING NO. 04		
DRAWN BY: KC	APPROVED BY: ND	TENSION TIE REPAIR DETAIL		
HOR. SCALE: AS NOTED	RELEASED FOR CONSTRUCTION BY:			
VERTICAL:	DATE: 2008/07/24			
ISSUED FOR TENDER: 08/08/01	DATE: 2008/07/24			
NO. REVISIONS	DATE			